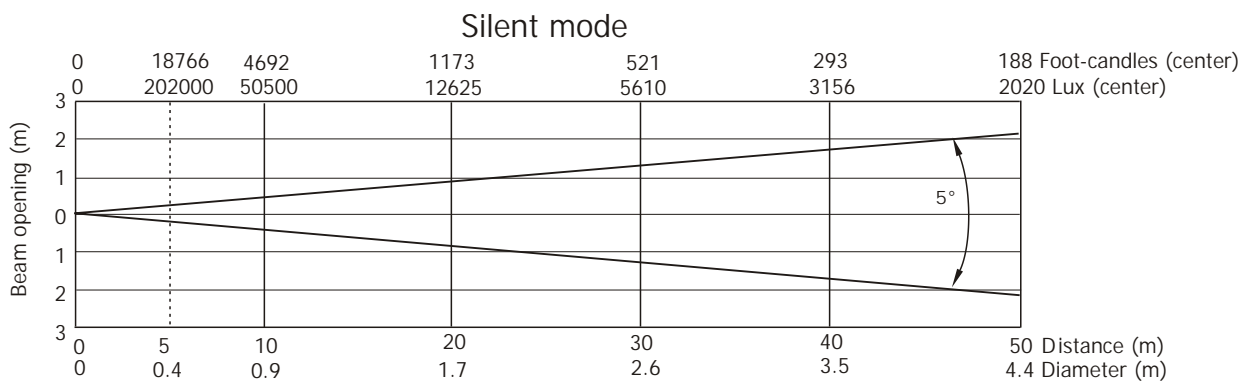
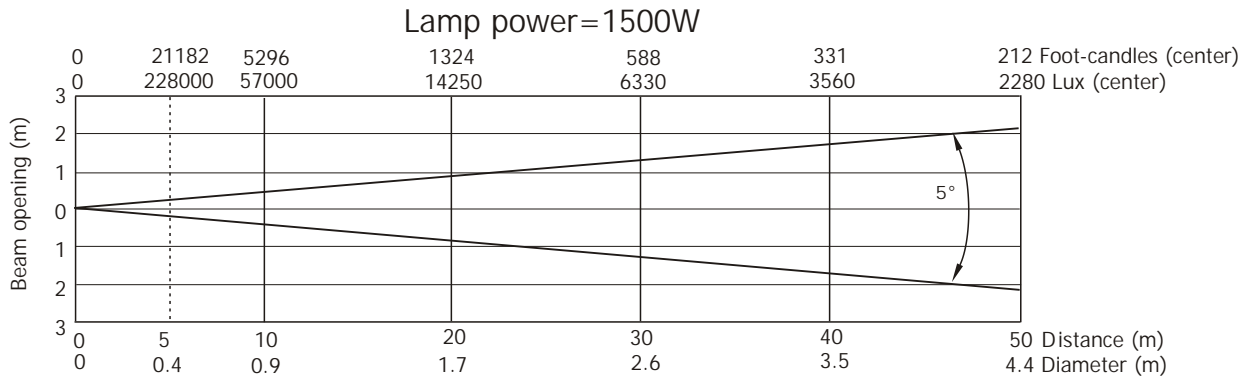
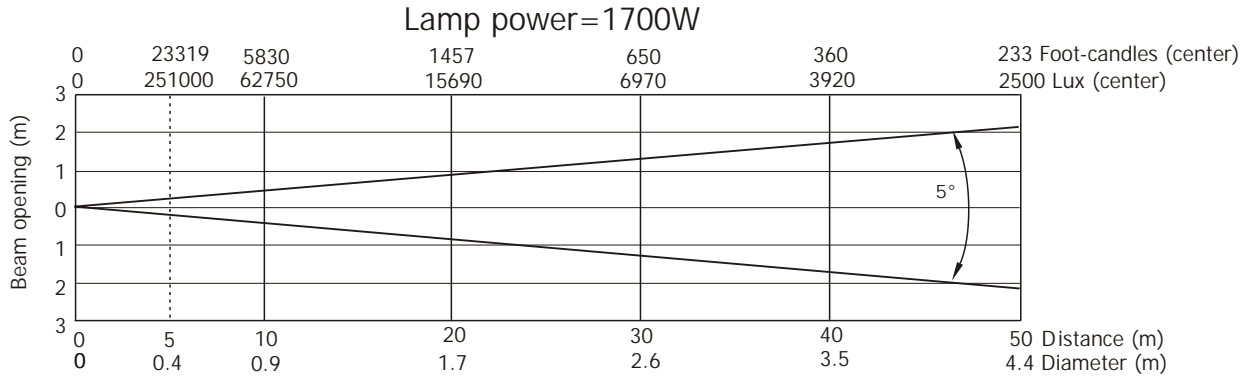


Robin BMFL Blade

Photometric Diagram

Lamp: Osram Lok-it! HTI 1700/PS

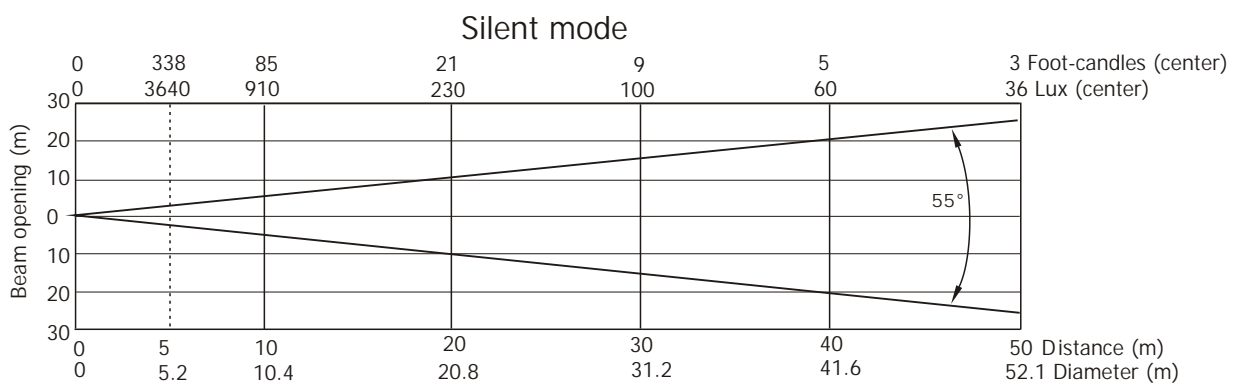
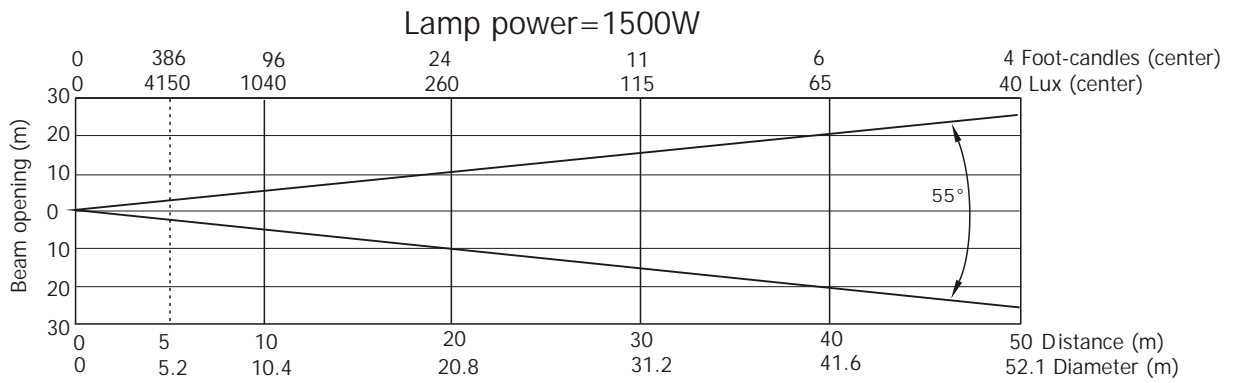
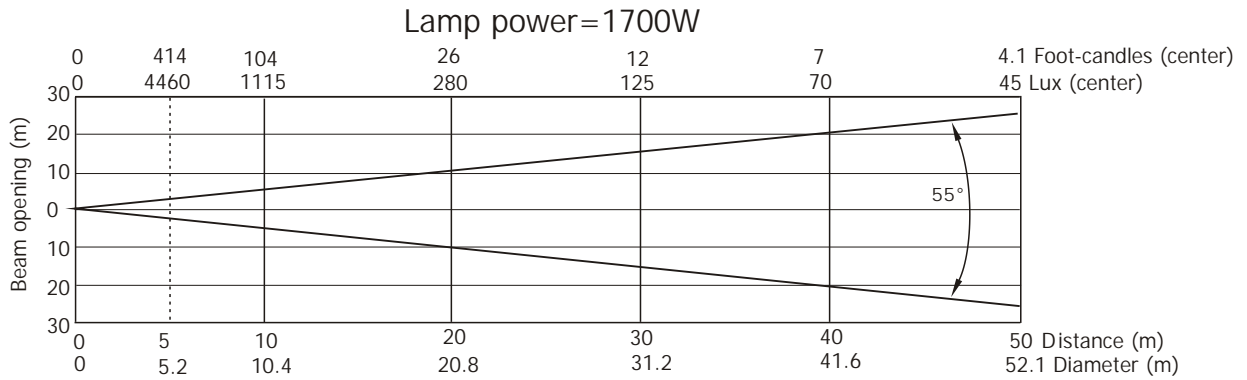
Min. Zoom



Robin BMFL Blade

Photometric Diagram

Max. Zoom

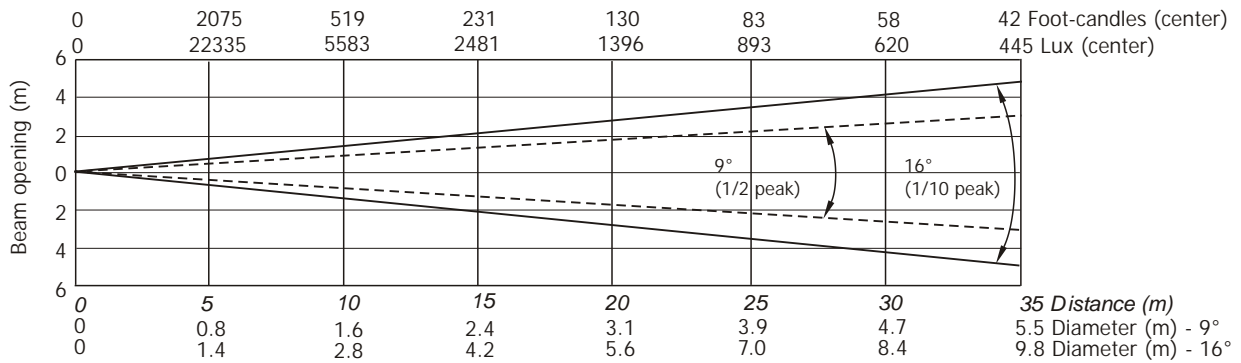


Robin BMFL Blade

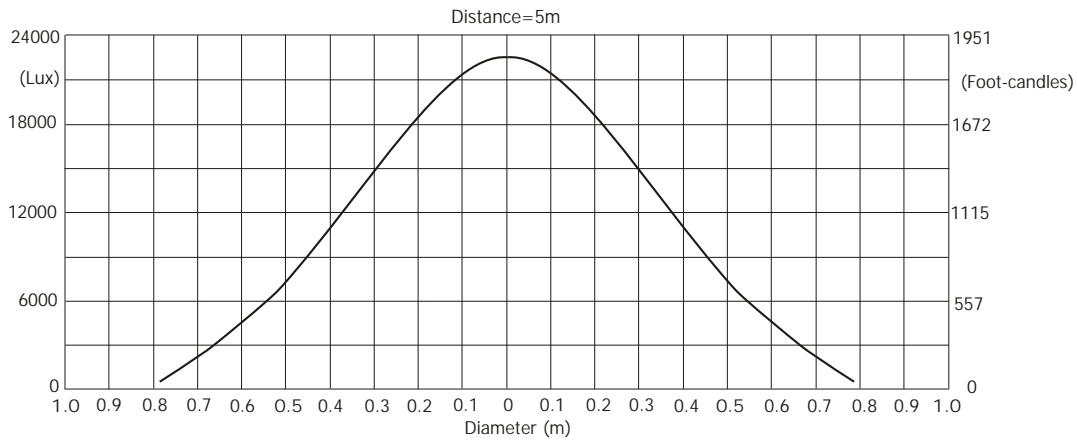
Photometric Diagram

Min. Zoom with Light Frost

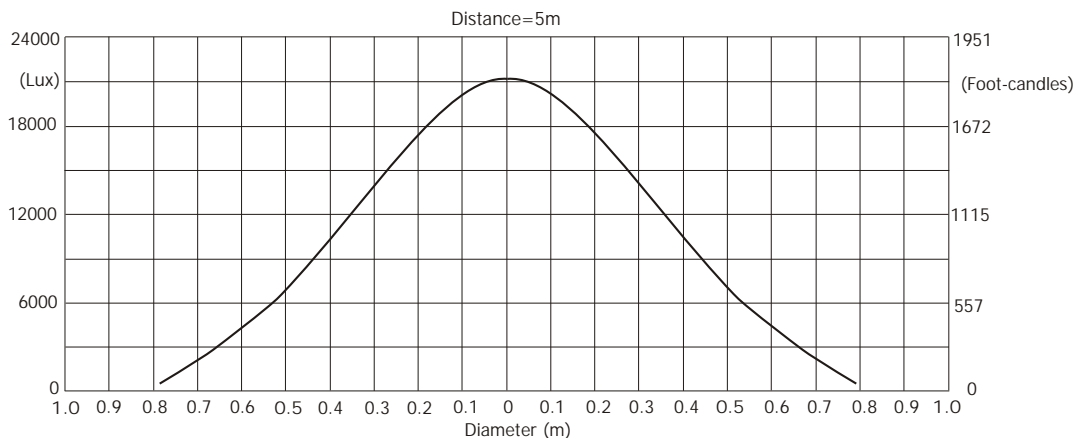
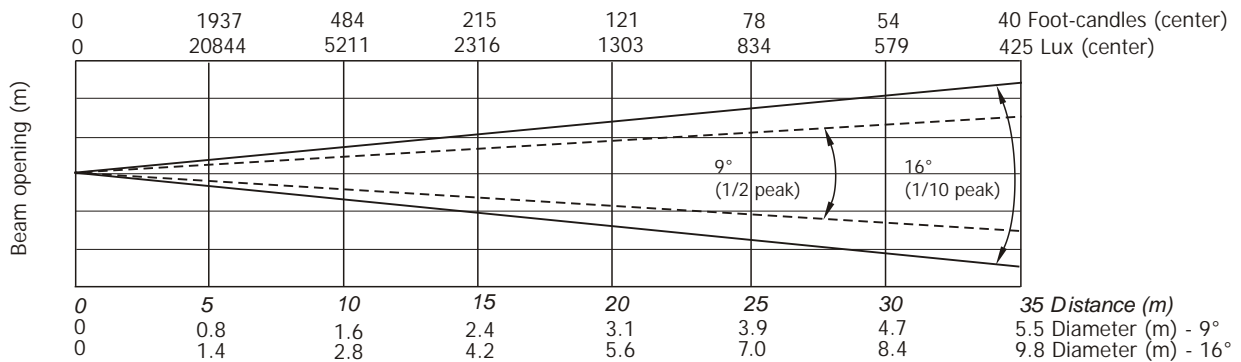
Lamp power=1700W



Illuminance distribution



Lamp power=1500W

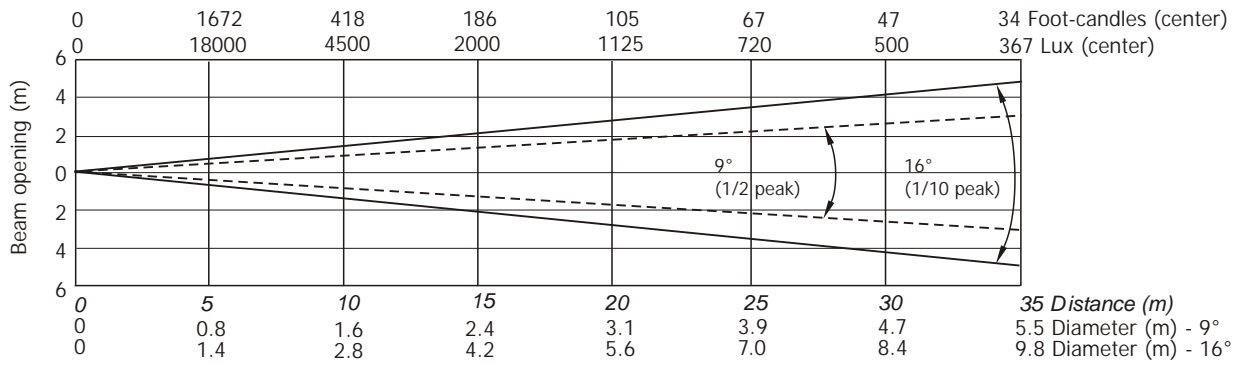


Robin BMFL Blade

Photometric Diagram

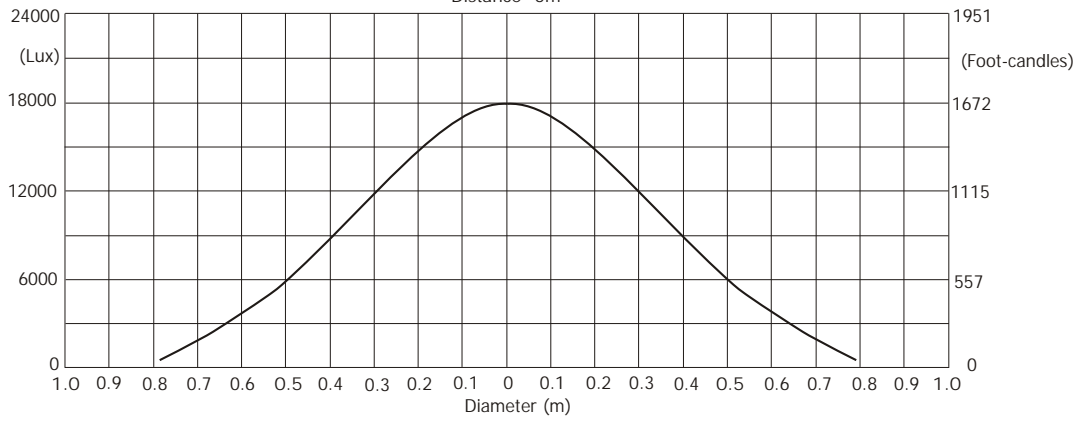
Min. Zoom with Light Frost

Silent mode



Illuminance distribution

Distance=5m

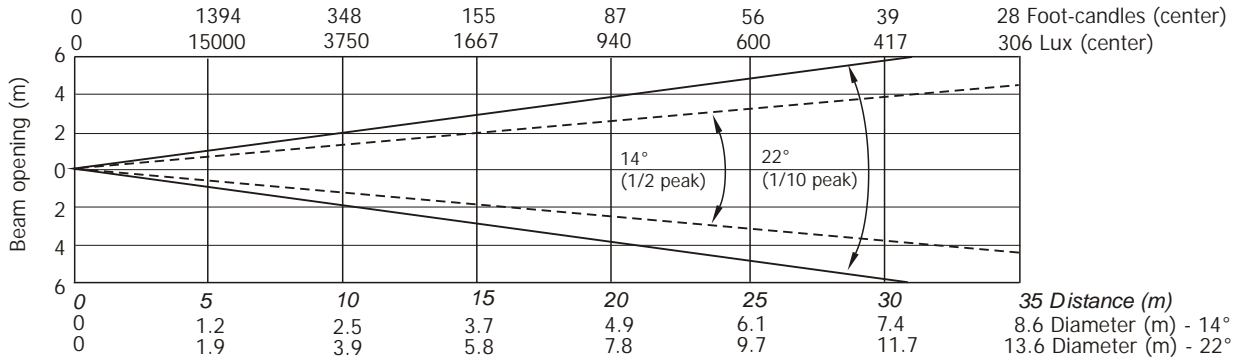


Robin BMFL Blade

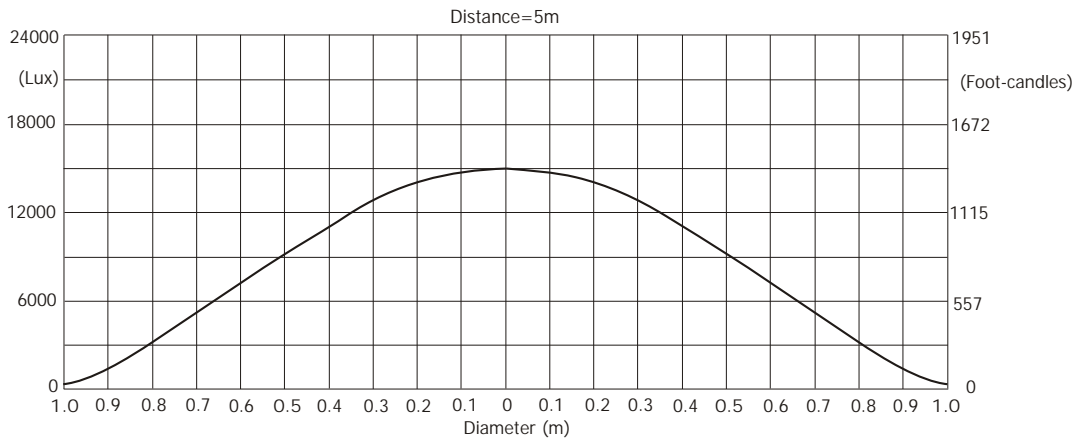
Photometric Diagram

Min. Zoom with Medium Frost

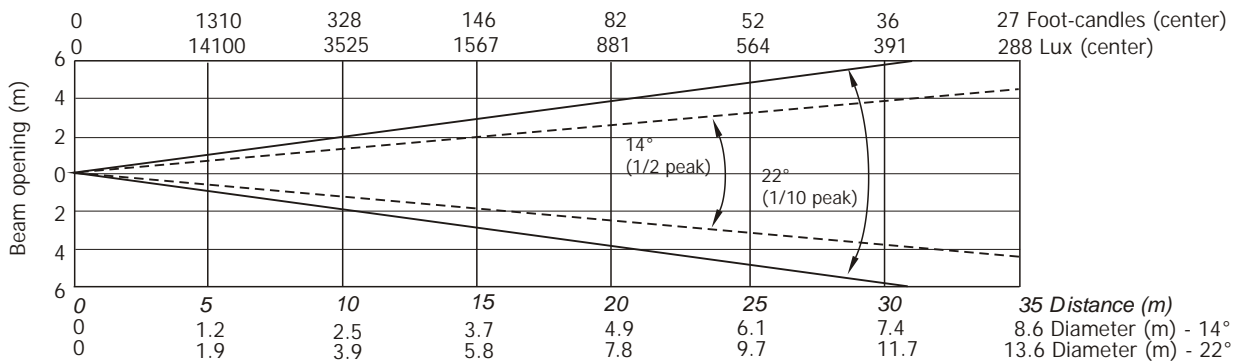
Lamp power=1700W



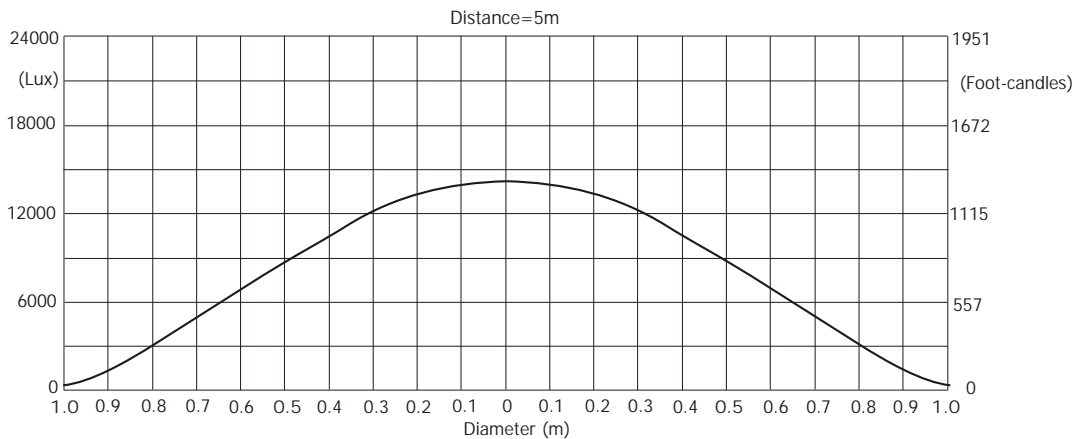
Illuminance distribution



Lamp power=1500W



Illuminance distribution

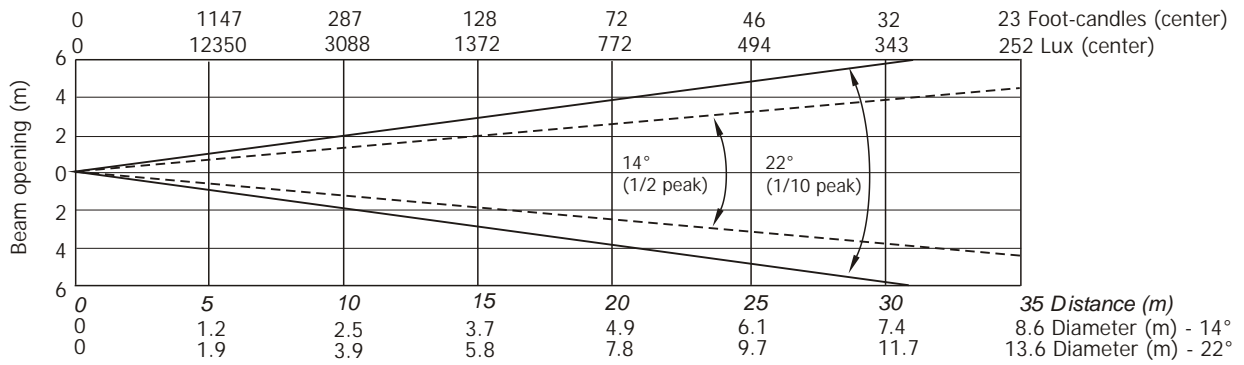


Robin BMFL Blade

Photometric Diagram

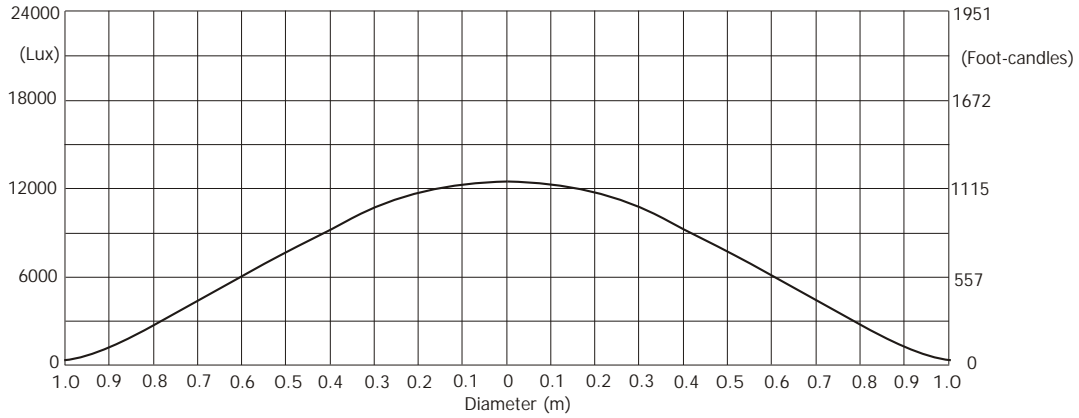
Min. Zoom with Medium Frost

Silent mode



Illuminance distribution

Distance=5m

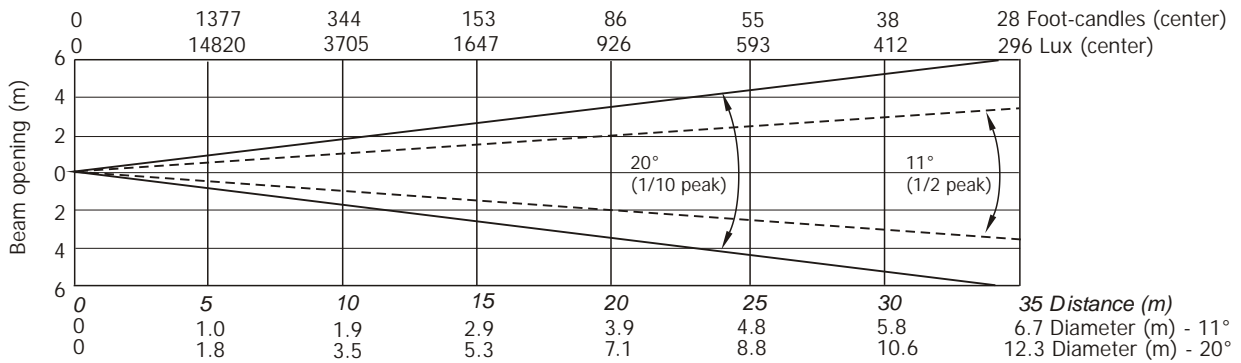


Robin BMFL Blade

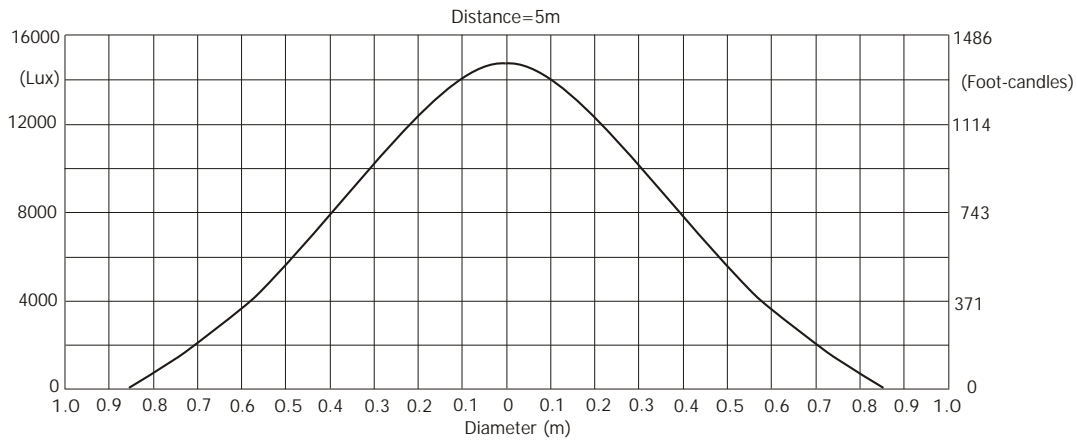
Photometric Diagram

Min. Zoom with Heavy Frost

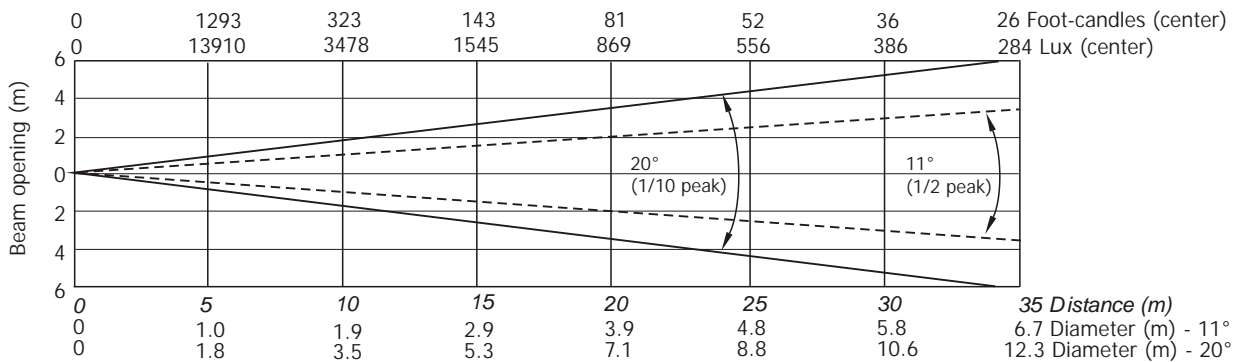
Lamp power=1700W



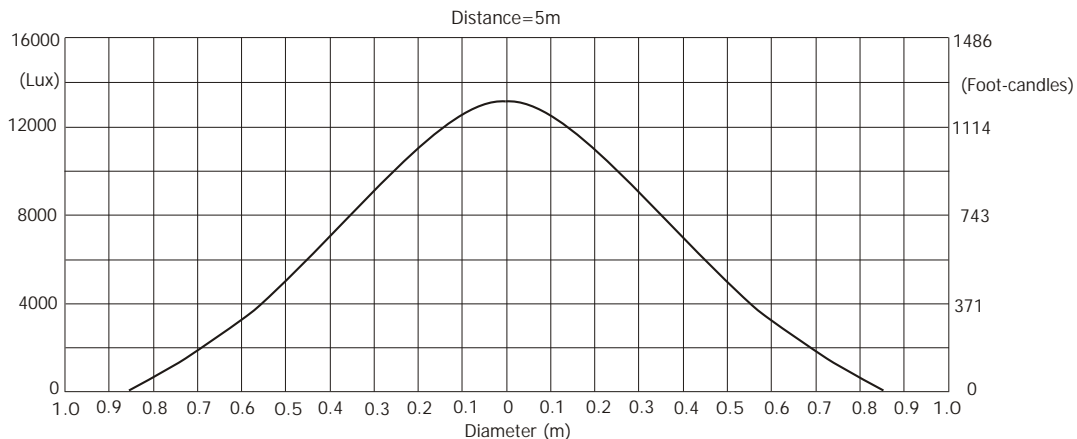
Illuminance distribution



Lamp power=1500W



Illuminance distribution

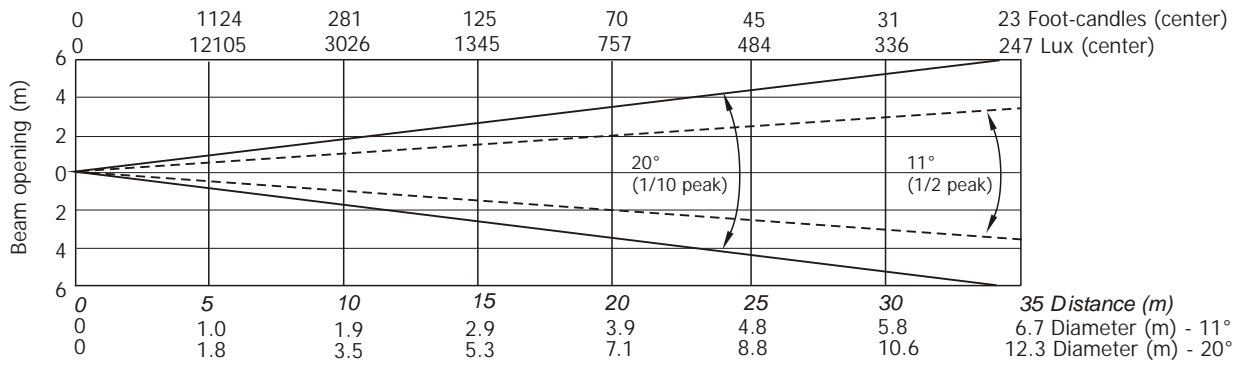


Robin BMFL Blade

Photometric Diagram

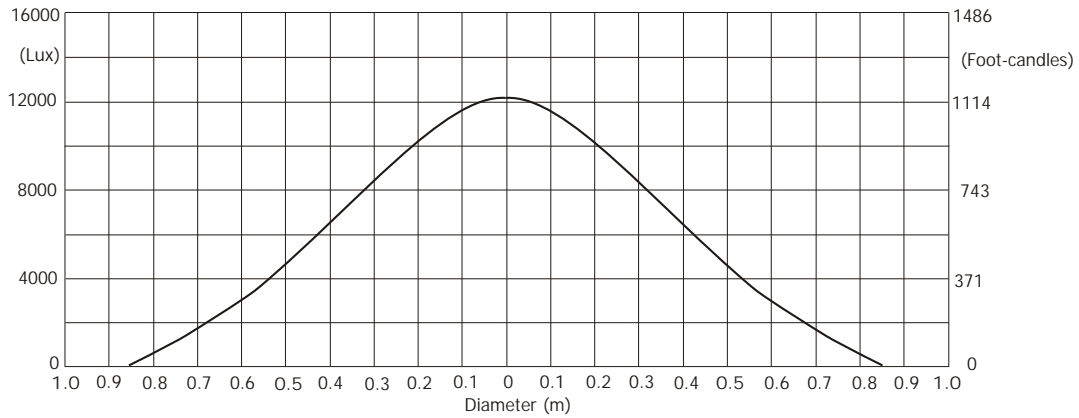
Min. Zoom with Heavy Frost

Silent mode



Illuminance distribution

Distance=5m

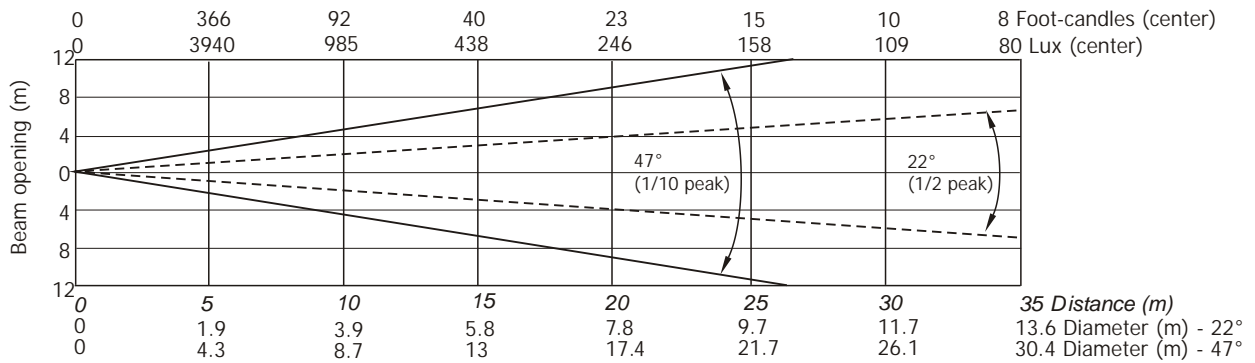


Robin BMFL Blade

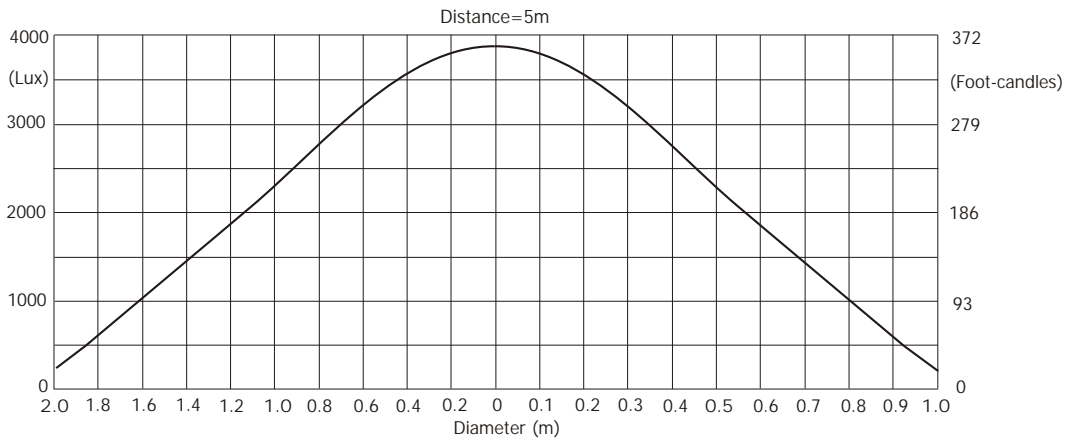
Photometric Diagram

Max. Zoom with Light Frost

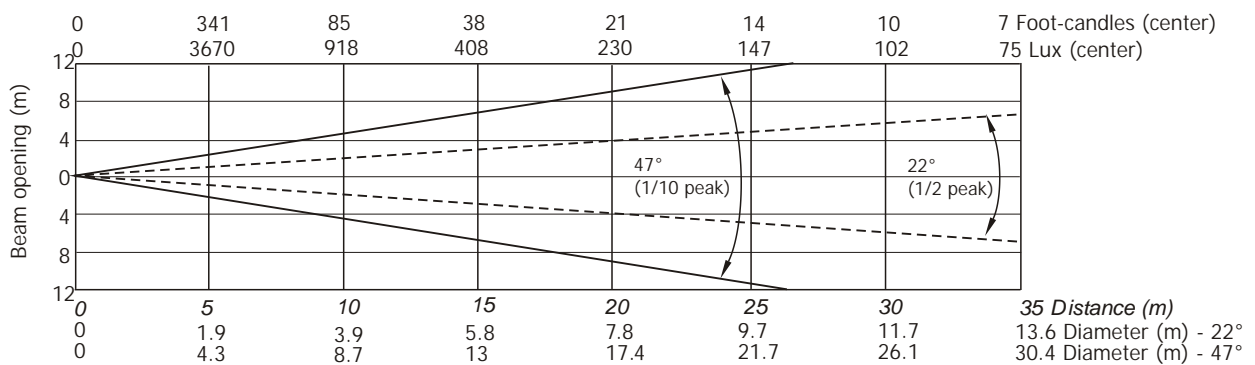
Lamp power=1700W



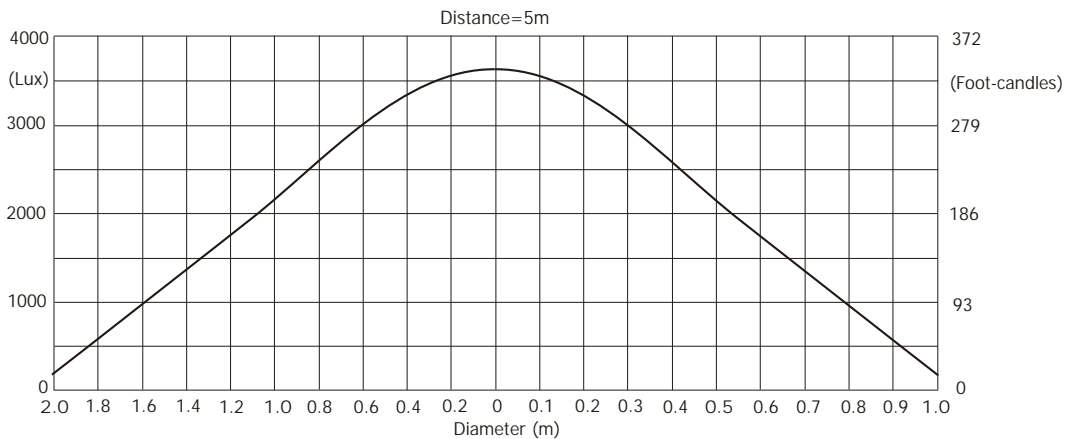
Illuminance distribution



Lamp power=1500W



Illuminance distribution

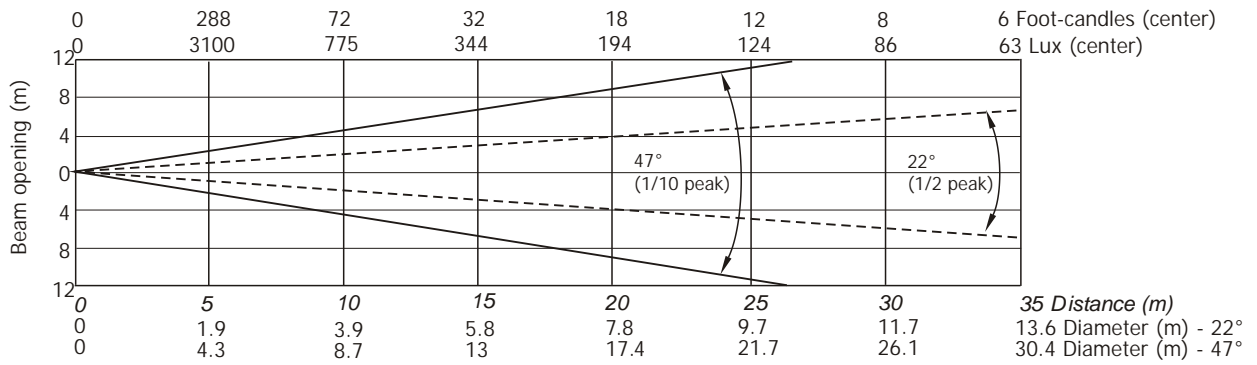


Robin BMFL Blade

Photometric Diagram

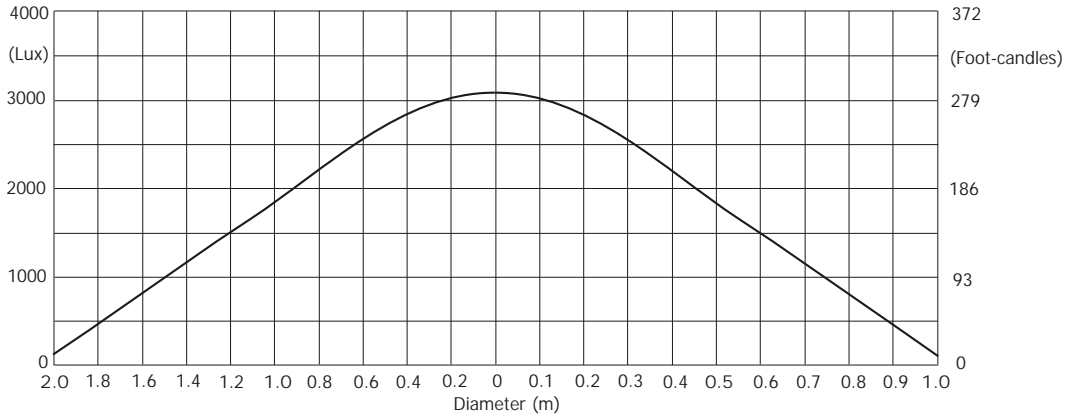
Max. Zoom with Light Frost

Silent mode



Illuminance distribution

Distance=5m

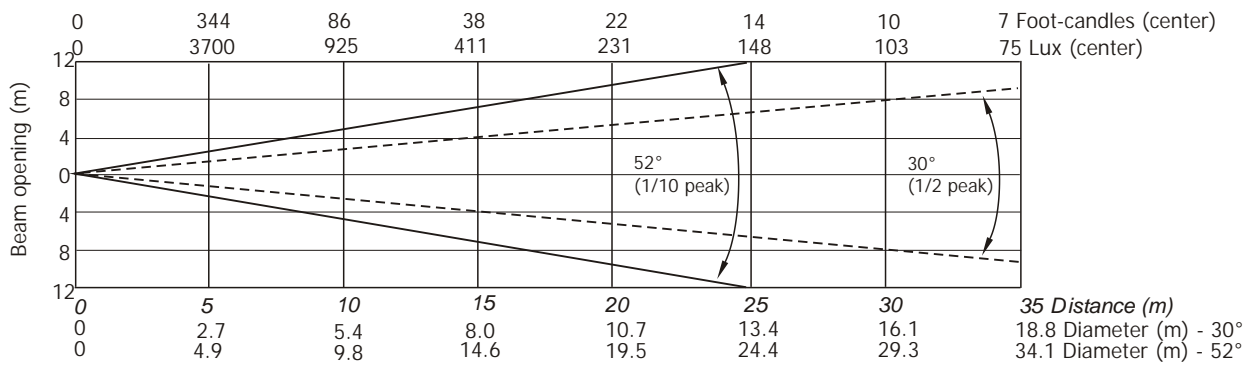


Robin BMFL Blade

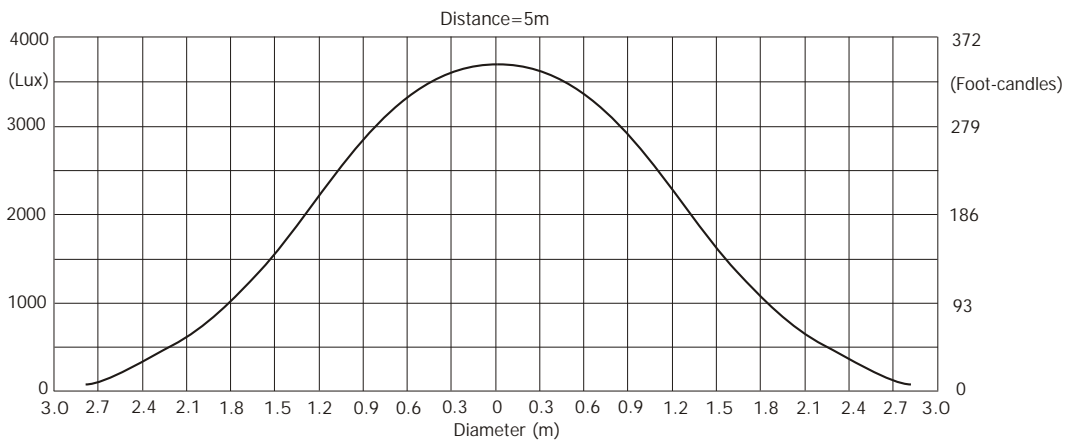
Photometric Diagram

Max. Zoom with Medium Frost

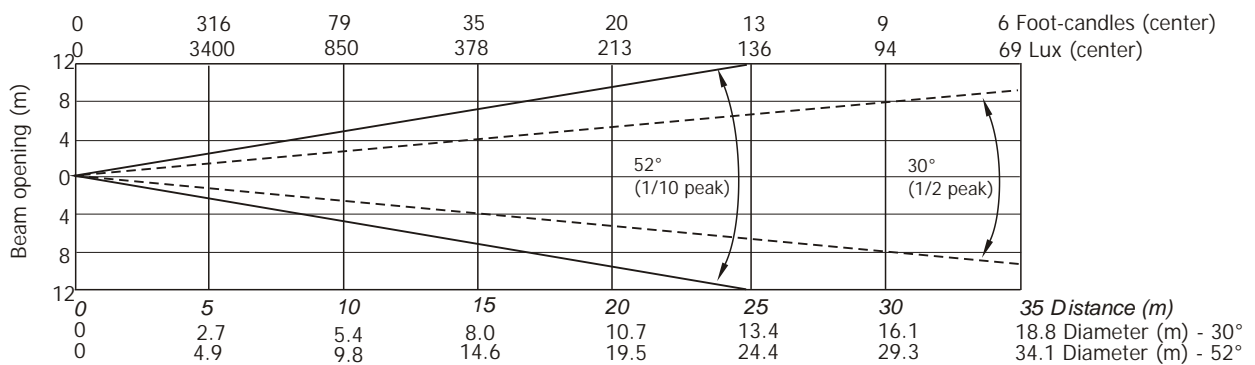
Lamp power=1700W



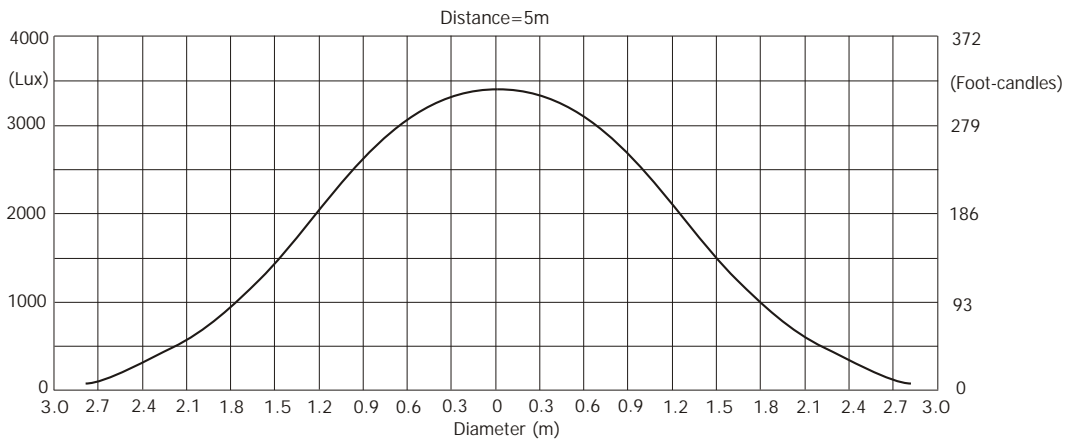
Illuminance distribution



Lamp power=1500W



Illuminance distribution

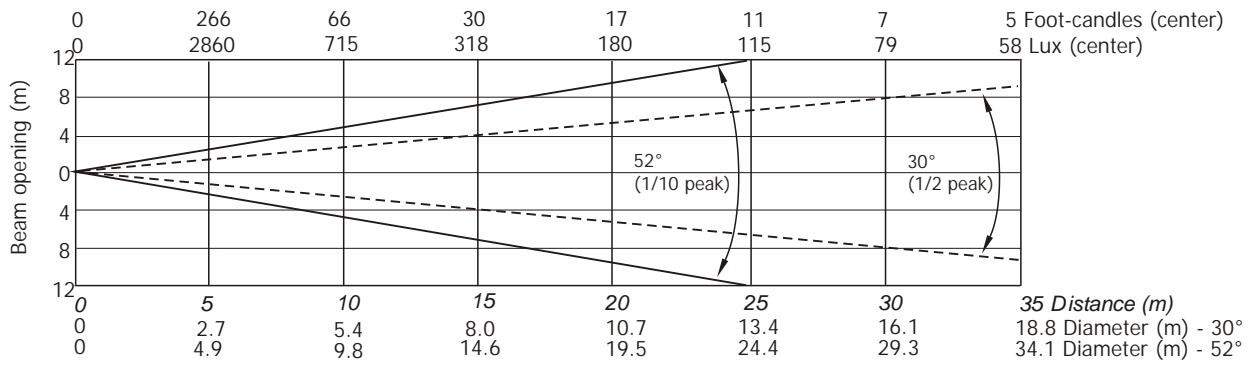


Robin BMFL Blade

Photometric Diagram

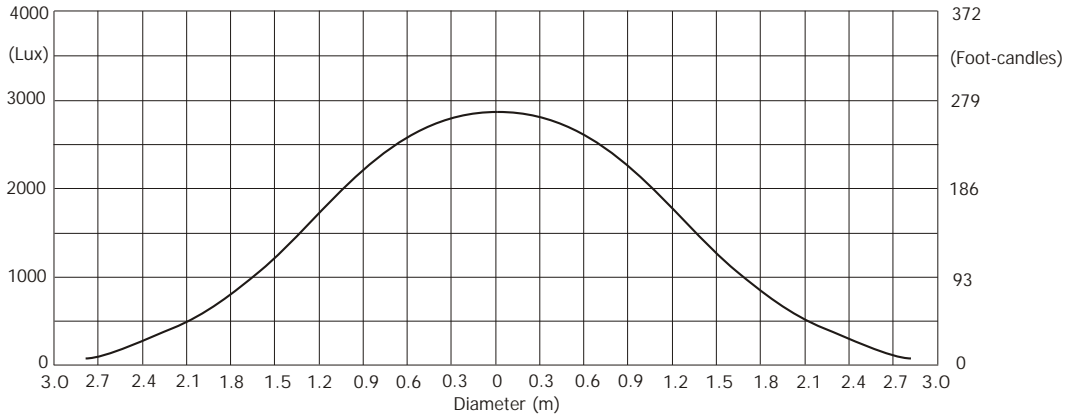
Max. Zoom with Medium Frost

Silent mode



Illuminance distribution

Distance=5m

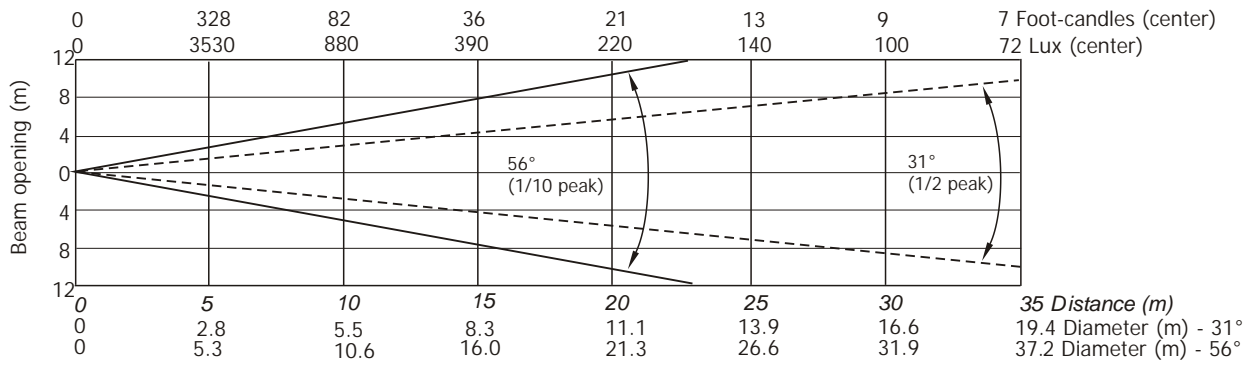


Robin BMFL Blade

Photometric Diagram

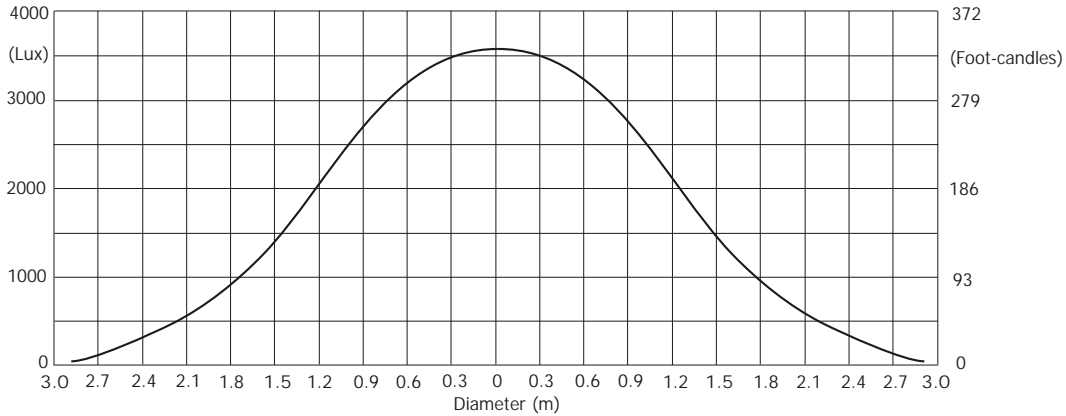
Max. Zoom with Heavy Frost

Lamp power=1700W

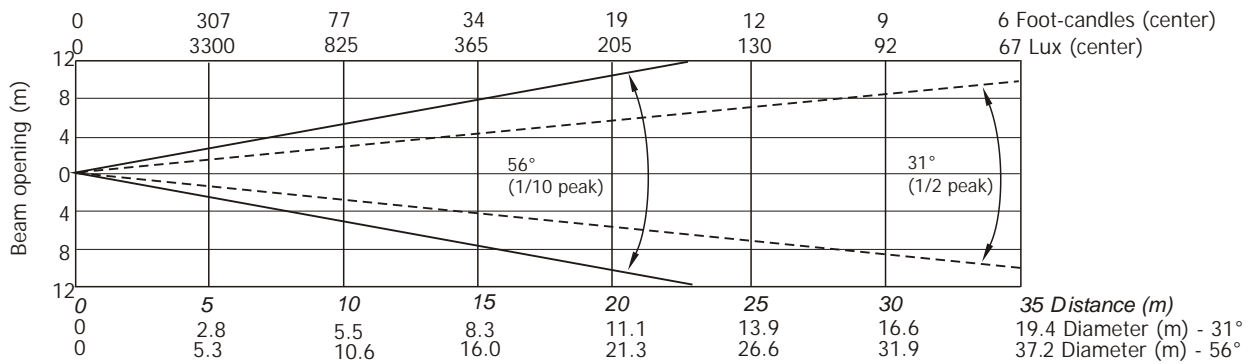


Illuminance distribution

Distance=5m

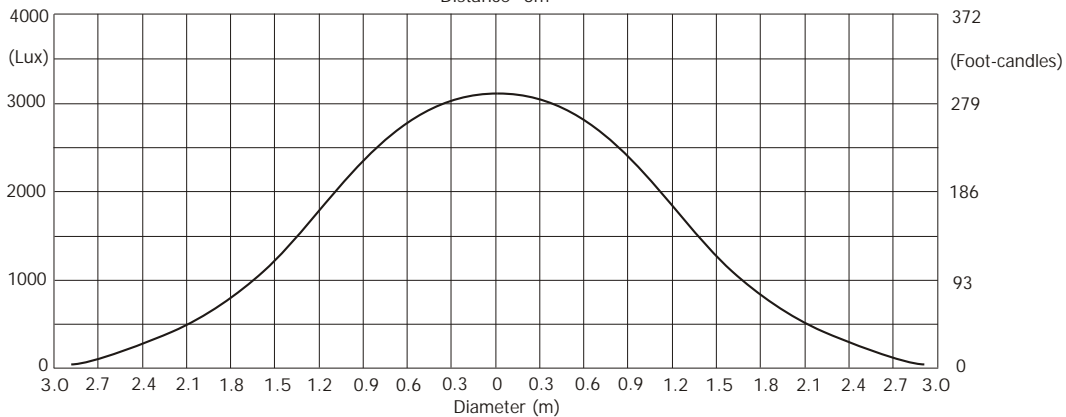


Lamp power=1500W



Illuminance distribution

Distance=5m

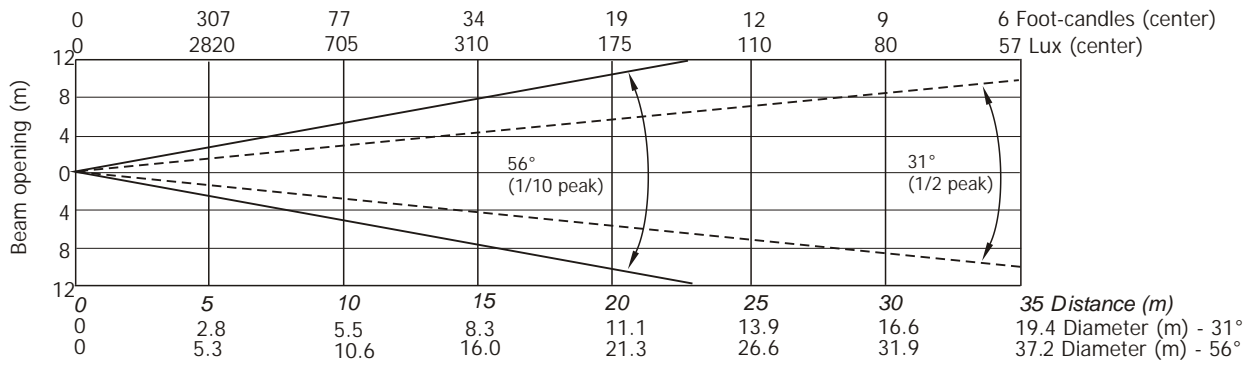


Robin BMFL Blade

Photometric Diagram

Max. Zoom with Heavy Frost

Silent mode



Illuminance distribution

Distance=5m

