



art. 15251-15252
T-BRIGHT 400 WB

Studio Due

emotion and creativity in light

T bright 400 White Balance

The new T- BRIGHT family is a new series of small form factor, compact and lightweight wall washers line, designed to minimize the dimensions of a LED lighting fixture keeping an high level of lumen package in a very compact design.
The T-BRIGHT 400 White Balance is particularly adapt for temporarily events and can also be used easily for permanent installations.

Two versions for this versatile luminaire:

- T-BRIGHT 400 WL (art. 15252) with 38 mm lenses
- T-BRIGHT 400 WR (art. 15251) with antiglare square reflectors

- Standard fixture colour finishing is black. Optional grey and white (art. FX-COLOUR).

TECHNICAL FEATURES

• SOURCE

n. 30 3000K high power white LEDs
n. 30 6000K high power white LEDs
Total out lumen: 33.000lm (18.000 cold w + 15.000 warm w)
Total light power: 270W

• OPTIC

70°x55° (antiglare square reflectors) - art. 15251/WR only
25° (38 mm lenses) - art. 15252/WL

On request: narrow, wide 38 mm lenses

• TILT

Manual 160°

• CONTROL

Standard interface: RS-485, optocoupled input
Protocol: USITT DMX512

• CONNECTIONS

Signal: XRL 5pin (on request 3pin) IP 64 connector (male-female)
possibility to link up to 32 devices in chain
Available as accessories:

- Wireless DMX receiver
Main Power: POWERCON 3pin IP 64 connector (male-female)
possibility to link up to 6 devices at 230V or 3 devices at 120V in chain.

• SETUP AND CONFIGURATION

Control panel with touch technology and led display with flip function or by DRS (remote control device)
Dedicated DMX channel for white balance
DMX or Auto mode with Master-Slave function
Intelligent temperature control
Halogen simulation
CYM simulation
Flicker-free function
Smooth dimming function

• RATING PROTECTION

IP 64

• DMX CHANNELS

- 4CH mode
- 2CH mode
- 1CH mode

• POWER SUPPLY

Voltage range: 100-240VAC
Frequency range: 47-63Hz
Active Power factor:
PF>0.95/230VAC, PF>0.98/120VAC
Current:
1.35A@230VAC, 2.6A@120V 300W
Fuse T8A (inside fixture)

• PHYSICAL

WxDxH: 406x185x398 mm
Weight: 13 Kg.

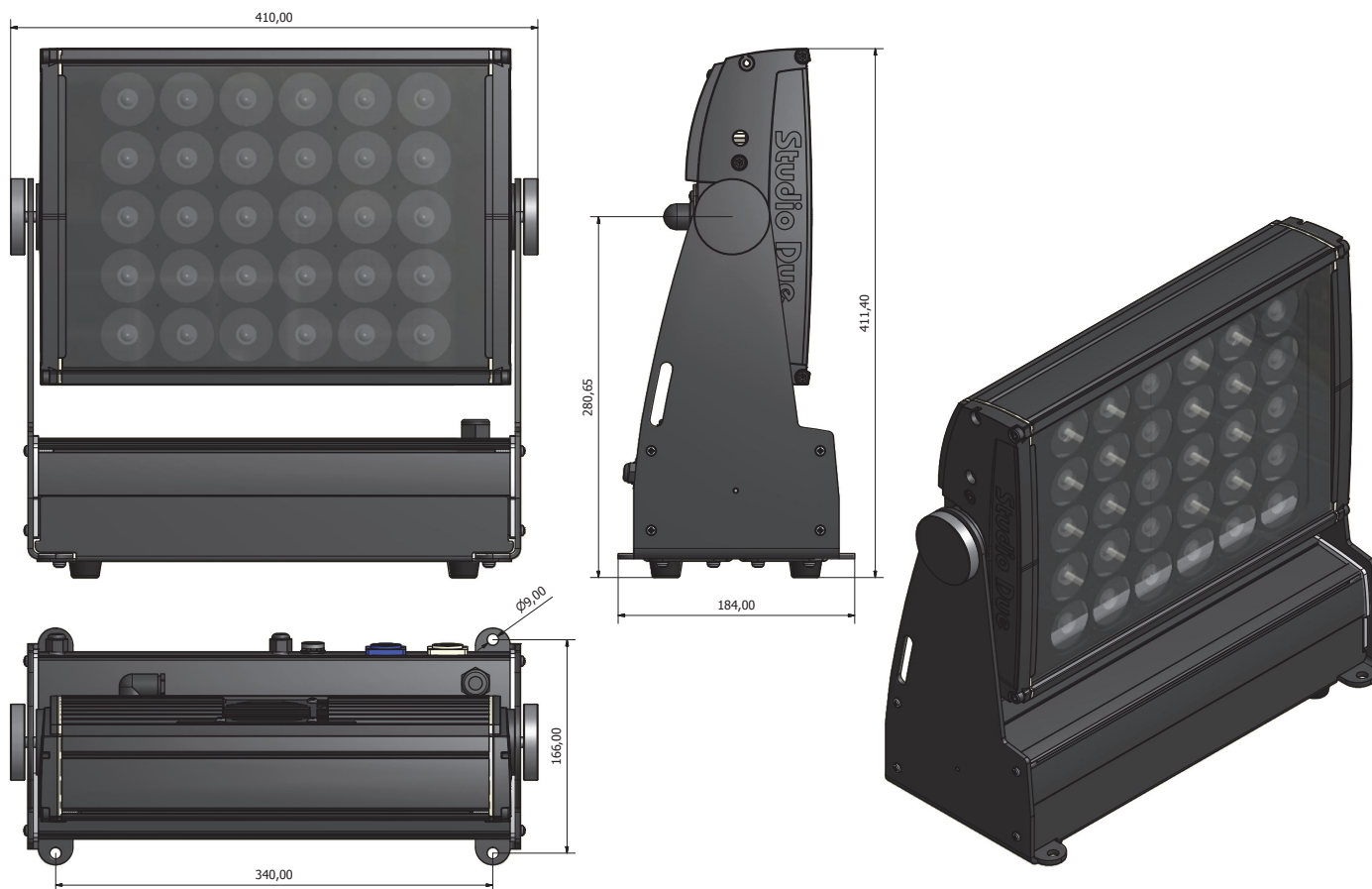


Click on the QR Code with your smartphone to go directly to the fixture website page

Studio Due

emotion and creativity in light

PHYSICAL



T-BRIGHT 400 WR (art. 15251) with antiglare square reflectors



T-BRIGHT 400 WL (art. 15252) with 38 mm lenses

© Copyright 2014 Studio Due light srl
Strada Poggino, 100
01100 Viterbo (Italy)
tel. +39.0761.352520 (4 lines)
fax +39.0761.352653
C.F. e P. IVA 05793121004