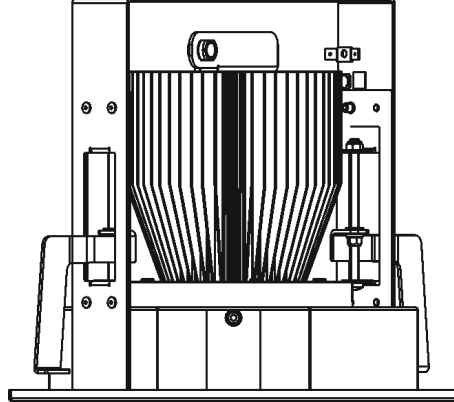


User instructions

ArcSource 24 MC Recessed

The lighting unit generates light by means of 6 high power RGBW LED multichips. The product was designed for installation to a lower ceiling and is intended for indoor use only.



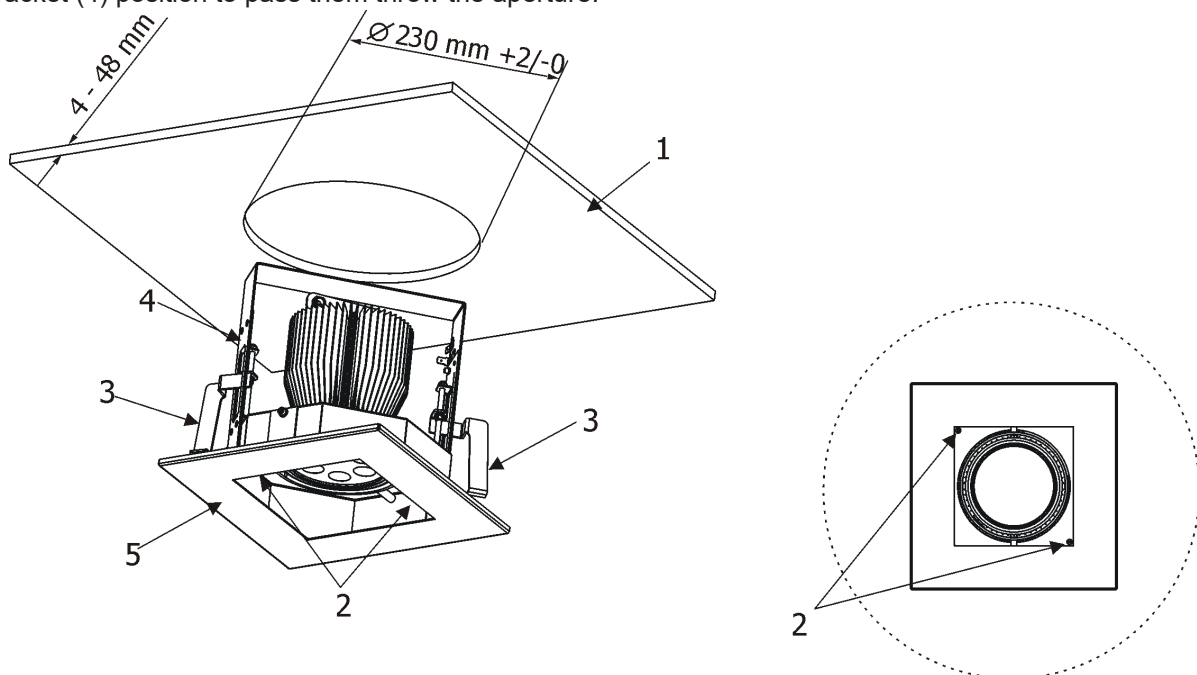
1. Attention

- Do not install the lighting unit near high inflammable liquids or materials.
- Do not allow anything to rest on the lighting unit.
- Do not use the lighting unit near high humidity or water or expose to the rain.
- Do not install the lighting unit near the naked flames.
- Do not install the lighting unit in dirty, dusty or badly ventilated location.
- Sufficient air accessing to the housing of the unit has to be ensured, there must not be any heat or anti-noise insulation around 0.6m x 0.6m around the unit (non-IC rated fixture).**

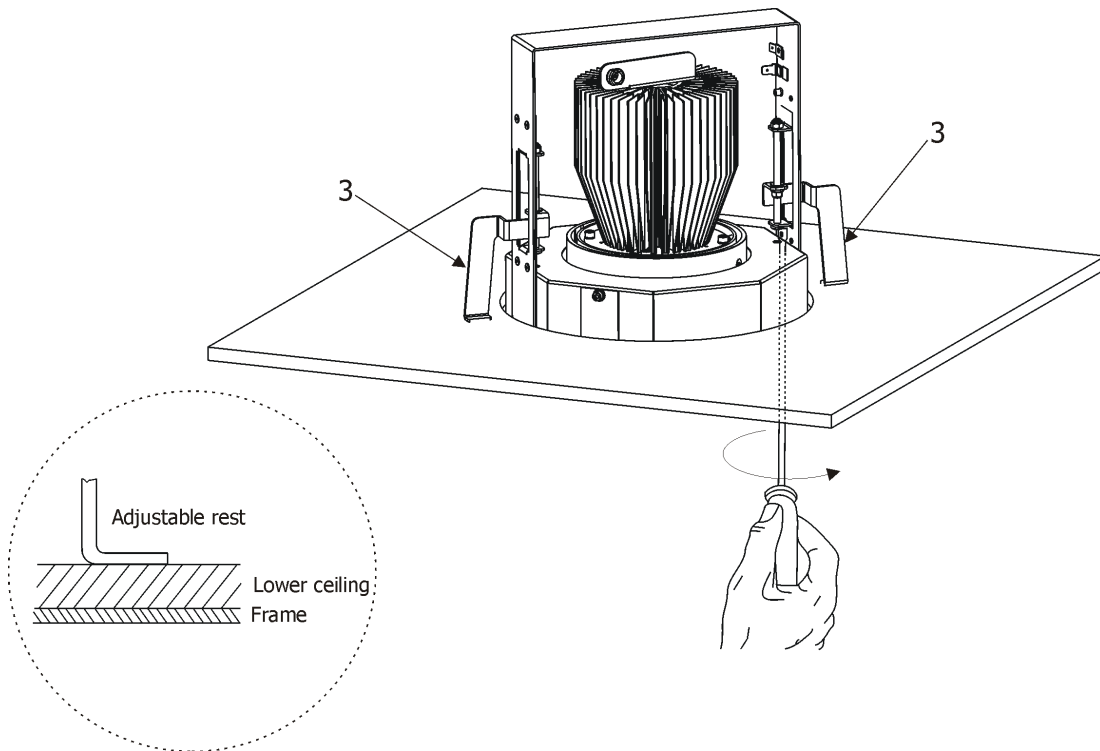
CAUTION!
Avoid looking directly into the LED light beam at close range!

2. Installation

1. Prepare a circular opening in the lower ceiling (1) as shown at the picture below.
2. Insert the ArcSource 24 MC Recessed into the opening. Both adjustable rests (3) must be turned at bracket (4) position to pass them through the aperture.



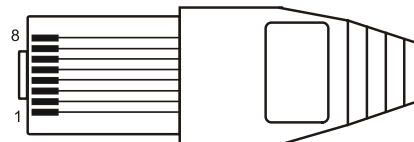
3. Turn adjustable rests (3) towards the lower ceiling (1).
4. Pass a cross-point screwdriver through aperture (2) and a screw (clockwise) the adjustable rest (3) until it firmly supports against the lower ceiling. Repeat this adjustment for second adjustable rest. Now the lower ceiling (1) is "squeezed" between adjustable rest (3) and frame (5) of the ArcSource 24 MC Recessed .
5. The light head can be tilted 15° from a vertical axis.



6. Connect the ArcSource 24 MC Recessed with the ArcPower driver. Only one ArcSource 24 MC Recessed can be connected to the LED output of the ArcPower driver.

3. ArcSource 24 MC Recessed pin connection

RJ45 plug
(View facing pins)



- | | | | |
|--------------|----------------|--------------|---------------|
| 1- Red LED + | 2- Green LED + | 3-Blue LED + | 4-White LED + |
| 5- Red LED - | 6-Green LED - | 7-Blue LED - | 8-White LED - |

4. Technical specifications

Light source:	6 x RGBW multichip
Led life expectancy:	60,000 hours
Optical system available:	24°, 31°, 37°, 60°
Max. input current:	300 mA-500mA DC (per channel)
Max. power consumption:	28W at 350mA, 36W at 500mA
Operating ambient temp. range:	-20°C/+45°C
Max. surface temperature:	+70°C
Tilt adjustment of the light head:	15° (from vertical axis)
Weight:	3 kg (light unit+mounting frame)
Cooling:	convection
Ingress protection:	IP 20
IC rating:	non-IC rated
Connection	
cable:	UTP 24AWG, length=1.3 m
connector:	RJ45
Compatible drivers:	ArcPower 36, ArcPower 72, ArcPower 144, ArcPower 360, ArcPower 384 Rack Mount , DRS
Diameter of mounting opening in lower ceiling:	230mm +2/-0

5. Dimensions

(All dimensions are in mm)

