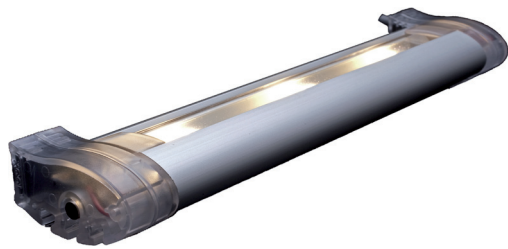


Source Linear System

Product Sheet

 Luminaires



An extremely flat and compact fixture.

Source is designed for both visible and hidden installation.

With its built-in reflector system is generated a superb even light spread of $100^{\circ} \times 110^{\circ}$ in warm and cool white.

Source is easy and simple to use.

The fixture is connected via standard DC power supply and links easily to other units.

Source can reach lengths of just under 30 feet (10m).

The specially designed attachments provide a 15° tilt to each side.

Reflector

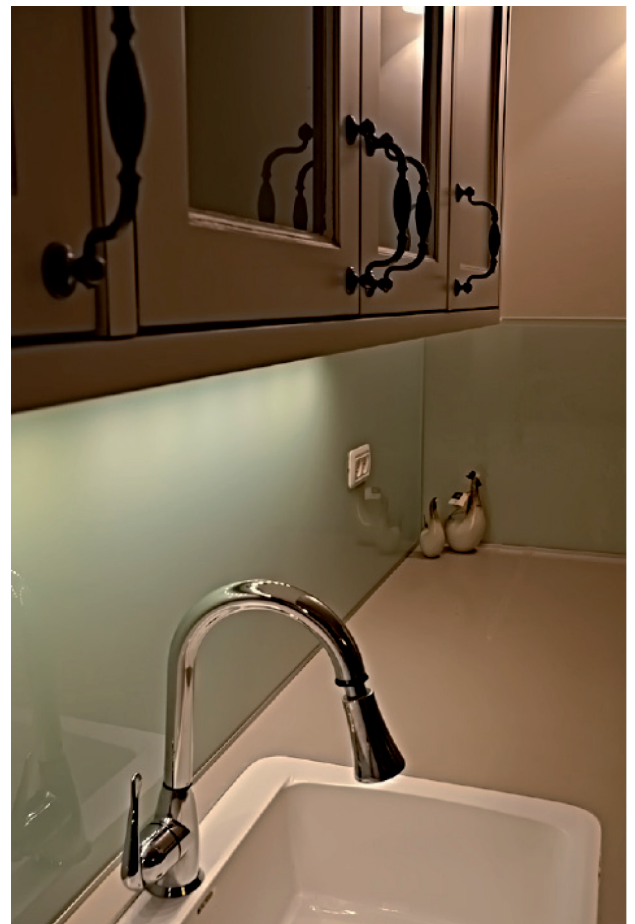
$100^{\circ} \times 110^{\circ}$ beam angle. Giving a powerful and balanced area coverage from as little as 10mc.

Plug and Play

Units connect directly to a 24VDC power supply for direct operation.

Thermal Protection

Fixtures and controllers are thermally managed to maintain color and output over time.



www.d-led.net

Source Linear System

Product Sheet

 Luminaires

Output	
LED Source	High power Luxeon Rebel
Channel Range	1 channel
Color Choice	Warm white, cool white
Optical System	Reflector -100°x110°
Electrical	
Driver	24VDC - Integrated driver
Power Consumption	Up to 45W
Max. Chain	Total of 42 LEDs
Physical	
Length	Dependent
Width	48mm
Height	24mm
Housing	Powder coated aluminum, UV protected polycarbonate
Color	Aluminium anodize
Accessories	
Attachments	Visible, blind 180° Adjustable
Environmental	
Operating Temp.	0°C ~ + 40°C/ 32°F ~ +104°F
Storage Temp.	0°C ~ + 60°C / 32°F ~ +140°F
IP Rating	Indoor - IP40

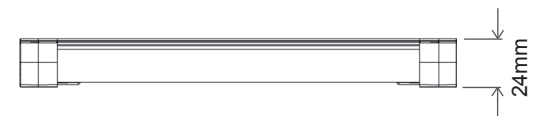
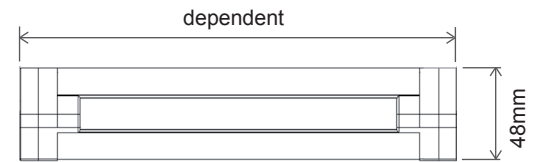
Jumper Cable

UC-JUMPER-65 *	65mm
UC-JUMPER-300	300mm
UC-JUMPER-1000	1000mm

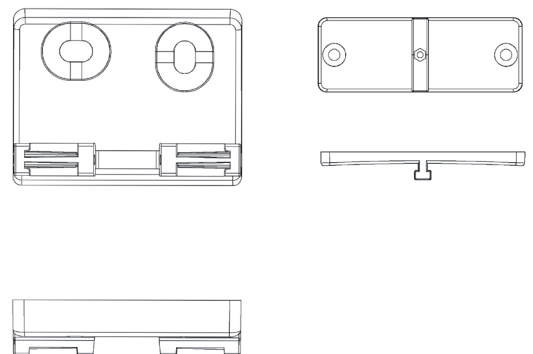
Power Supply and Switch Kit

WA12100-SW	Max. 4 LEDs (12V 1 Amp.)
WA24075-SW	Max 6 LEDs (24V 0.75 Amp.)
WA24125-SW	Max 10 LEDs (24V 1.25 Amp.)
WA24200-SW	Max 18 LEDs (24V 2 Amp.)

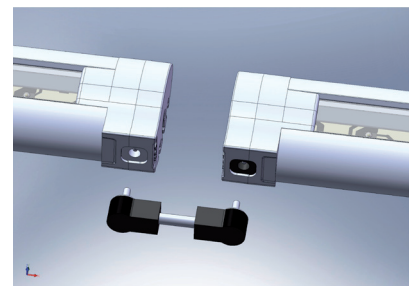
Dimensions



Attachments



Daisy Chaining



www.d-led.net

Source Linear System

Product Sheet

 Luminaires



Source S
2 LEDs - 230mm

UC-DOB230-WW8CD-2-700	2700 K°
UC-DOB230-WW7CD-2-700	3000 K°
UC-DOB230-CWX0-2-700	6500 K°



Source S
3 LEDs - 230mm

UC-DOB230-WW8CD-3-700	2700 K°
UC-DOB230-WW7CD-3-700	3000 K°
UC-DOB230-CWX0-3-700	6500 K°

Source M
4 LEDs - 484mm

UC-DOB484-WW8CD-4-700	2700 K°
UC-DOB484-WW7CD-4-700	3000 K°
UC-DOB484-CWX0-4-700	6500 K°

Source M
6 LEDs - 484mm

UC-DOB484-WW8CD-6-700	2700 K°
UC-DOB484-WW7CD-6-700	3000 K°
UC-DOB484-CWX0-6-700	6500 K°

Source L
6 LEDs - 738mm

UC-DOB738-WW8CD-6-700	2700 K°
UC-DOB738-WW7CD-6-700	3000 K°
UC-DOB738-CWX0-6-700	6500 K°

Source L
9 LEDs - 738mm

UC-DOB738-WW8CD-9-700	2700 K°
UC-DOB738-WW7CD-9-700	3000 K°
UC-DOB738-CWX0-9-700	6500 K°

Source XL
8 LEDs - 992mm

UC-DOB992-WW8CD-8-700	2700 K°
UC-DOB992-WW7CD-8-700	3000 K°
UC-DOB992-CWX0-8-700	6500 K°

Source XL
12 LEDs - 992mm

UC-DOB992-WW8CD-12-700	2700 K°
UC-DOB992-WW7CD-12-700	3000 K°
UC-DOB992-CWX0-12-700	6500 K°

Source XXL
12 LEDs - 1500mm

UC-DOB1500-WW8-12-700	2700 K°
UC-DOB1500-WW7C-12-700	3000 K°
UC-DOB1500-CWX0-12-700	6500 K°

Source XXL
18 LEDs - 1500mm

UC-DOB1500-WW8CD-18-700	2700 K°
UC-DOB1500-WW7CD-18-700	3000 K°
UC-DOB1500-CWX0-18-700	6500 K°



www.d-led.net