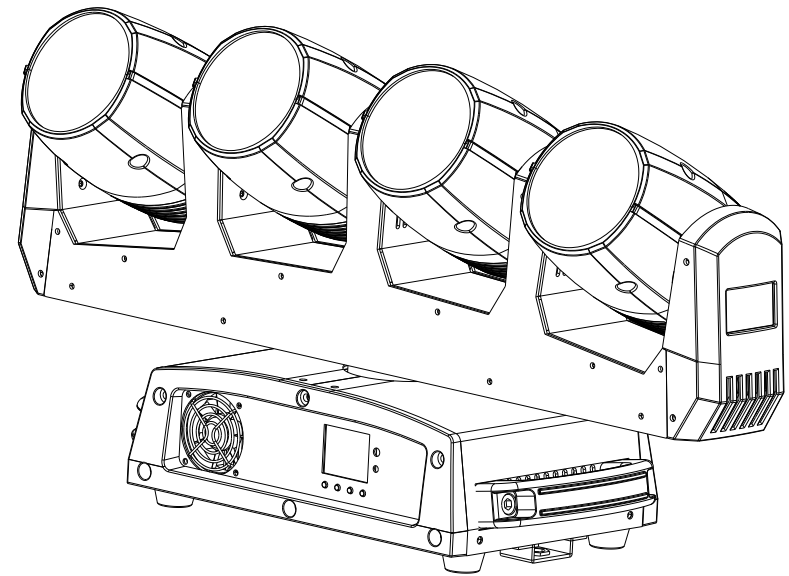




C-412 CW 4 Head Moving Effect



DANOR Theatre and Studio Systems, 9 Hanagar st. Hod Hasharon, Israel

USER MANUAL

TABLE OF CONTENTS

Maintenance-----	1
Statement-----	1
Attention Item -----	2
Product introduction -----	2
18 Control Channel -----	3
14 Control Channel -----	7
Control Board -----	11

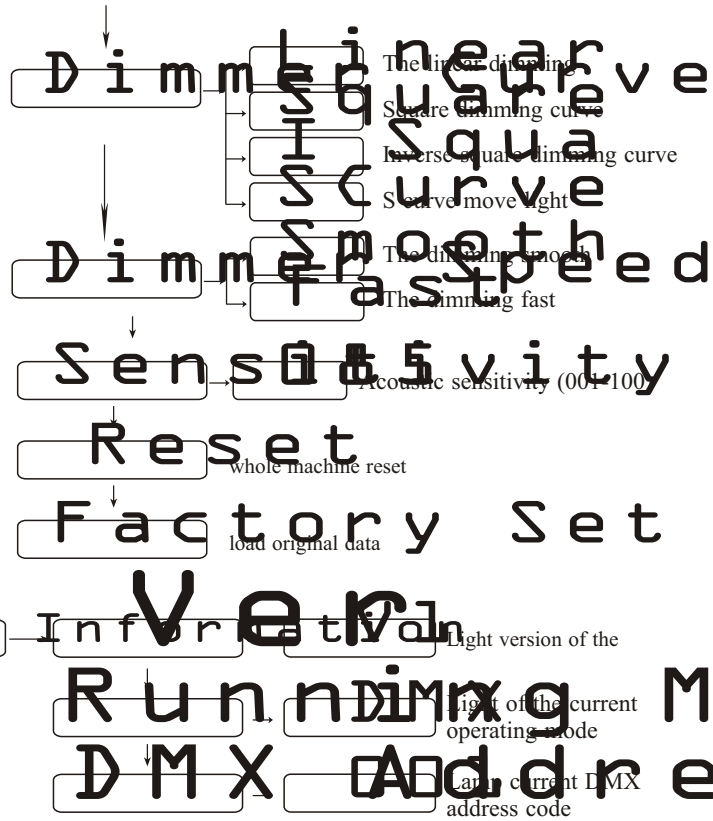
Maintenance

1. Please keep the light in dry and avoiding use in wet place.
2. Using intermittently can prolong the life of the equipment.
3. For better air and lighting effect, clean the fan, fan net and lens periodically.
4. Please do not clean the casing with organic solvent like alcohol, otherwise will cause damage to the casing.

Statement

The product has well capability and intact packing when leave factory. Users should comply with above warning item and manual, any misuse cause of the damages are not included in our guarantee, and we are not responsible for any malfunction & problem because of not paying attention to the manual.

We are sorry that no future notice for any change in this manual.



Attention Item

1. To guarantee the life of product, please don't put the fixture in wet place and als don't use it in the places over 40 degree.
2. Please don't lay the product on the unfixable or shakable place.
3. Ask for the professional to maintain the product in order to avoid the danger of electric shock.
4. Power supply should not be changed over ±10% while the light is using, it will shorten the life of lamp if the power is too high, but it will be influenced the luminosity if the power is too low.
5. After power off, if it is need used again, please cool down over 20 minutes.
6. Please read carefully the manual for ensure the product can be used normally.

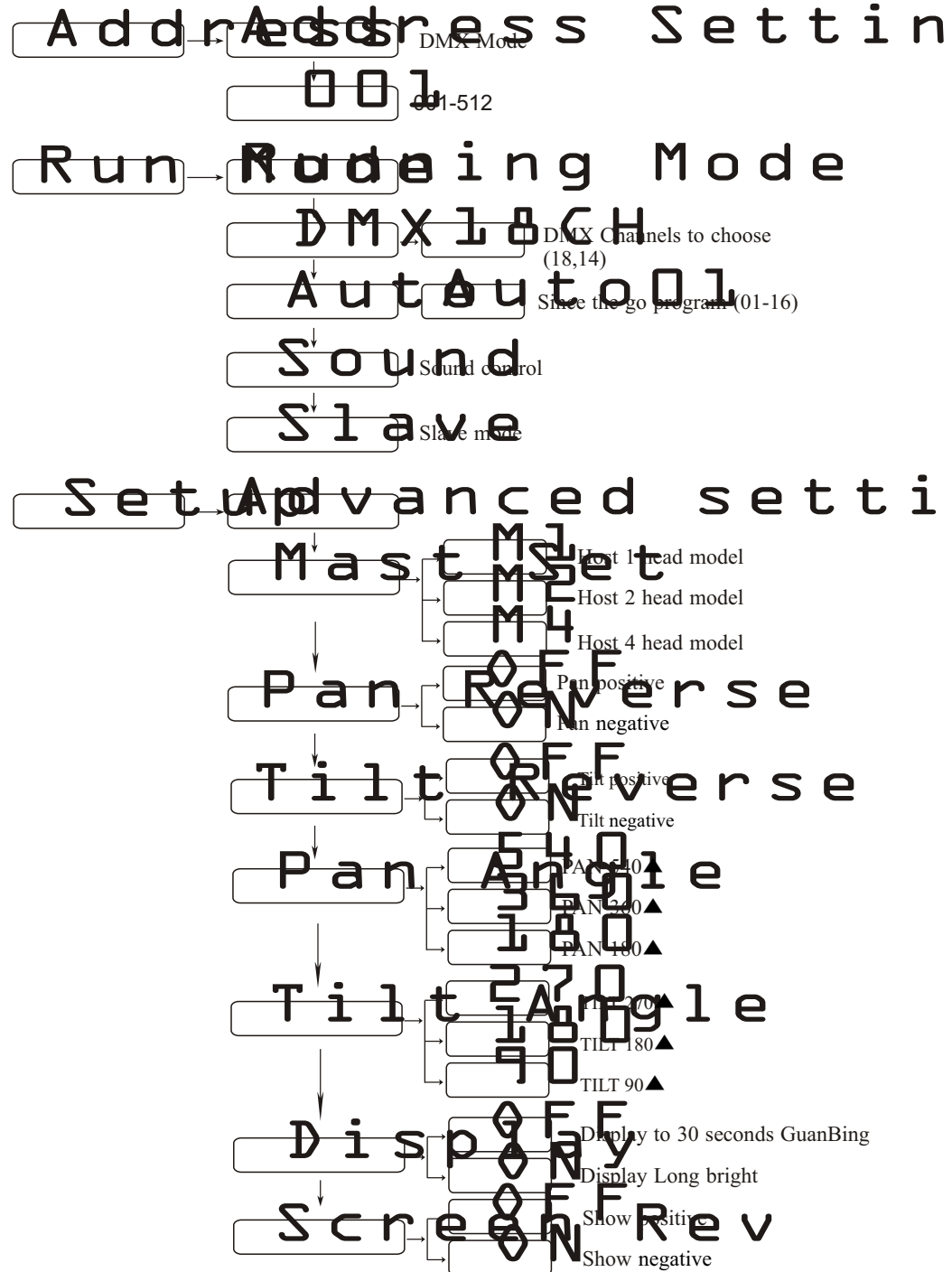
Product introduction

- Power supply: AC 100-240V 50Hz/60Hz
- Power consumption: 183W
- Light source: 4pcs≠10W White color LED
- Control: 14/18 channels
- Shuttle: 0-20Hz
- Dimmer: Variable electronic dimmer (0~100%)
- Tilt: 270°/180°/90° (select from the menu), 8/16 bit movement resolution, automatic correction
- Pan: 540° (select from the menu), 8/16 bit movement resolution, automatic correction
- Master/Slave ativated by sound at pre-programmed function.

18 Control Channel

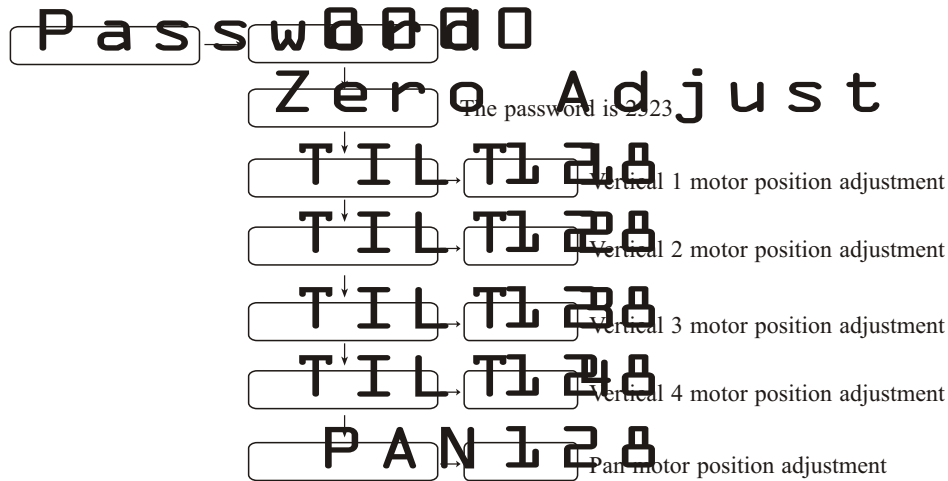
Accept DMX512 control channel, detail as follow:

Channel	DMX-value	Feature
1 PAN	0~255	0~540j
2 PAN 16bit	0~255	PAN 16bit
3 PAN Speed	0~255	From fast to slow
4 PAN Rotating	0	No function
	1~127	Horizontal reverse rotation, from slow to fast
	128~255	Horizontal forward rotation, from slow to fast
5 Claw1 TILT	0~255	0~270j
6 Claw2 TILT	0~255	0~270j
7 Claw3 TILT	0~255	0~270j
8 Claw4 TILT	0~255	0~270j
9 Claw vertical built-in	0~47	No function
	48~55	Built-in 1
	56~63	Built-in2
	64~71	Built-in3
	72~79	Built-in4
	80~87	Built-in5
	88~95	Built-in6
	96~103	Built-in7
	104~111	Built-in8
	112~119	Built-in9
	120~127	Built-in10
	128~135	Built-in11
	136~143	Built-in12
	144~151	Built-in13
	152~159	Built-in14
	160~167	Built-in15
	168~175	Built-in16
	176~183	Built-in17
	184~191	Built-in18
	192~199	Built-in19
	200~207	Built-in20
	208~215	Built-in21
216~223	Built-in22	



Control Board

**Service Function. Prees <MODE / ESE> at least 10 Second£
press <UP> <DOWN> bottoms£enter the password 2323 and
goes into the item.**



Press the <UP> <DOWN> button repeatedly until you reach the desired adjustment,
Press the <ENTER> button to confirmed. Confirmed. It will auto exit after 10 seconds.

Channel	DMX-value	Feature
9 Claw vertical built-in	224~231	Built-in23
	232~239	Built-in24
	240~247	The total internal
	248~255	Acoustic built-in
10 Claw built-in vertical speed	0~255	From fast to slow
11 W1	0~255	From dark to bright
12 W2	0~255	From dark to bright
13 W3	0~255	From dark to bright
14 W4	0~255	From dark to bright
15 Choose light	0~7	● ● ● ●
	8~15	○ ● ● ●
	16~23	○ ○ ● ●
	24~31	○ ○ ○ ●
	32~39	○ ○ ○ ○
	40~47	● ○ ○ ○
	48~55	● ● ○ ○
	56~63	● ● ● ○
	64~71	● ● ● ●
	72~79	○ ○ ○ ○
	80~87	● ○ ○ ○
	88~95	○ ● ○ ○
	96~103	○ ○ ● ○
	104~111	○ ○ ○ ●
	112~119	○ ○ ○ ○
	120~127	● ● ○ ○
	128~135	○ ● ● ○
	136~143	○ ○ ● ●
	144~151	● ○ ○ ●
	152~159	○ ○ ○ ○
160~167	○ ● ● ●	
168~175	● ○ ● ●	
176~183	● ● ○ ●	
184~191	● ● ● ○	
192~199	○ ○ ○ ○	

1234

“ ● ” Open “ ○ ” Close

Channel	DMX-value	1234	Feature
15 Choose light	200~207	● ● ● ●	
	208~215	● ● ● ●	
	216~223	● ● ● ●	
	224~231	● ● ● ●	
	232~239	● ● ● ●	
	240~247	● ● ● ●	
	248~255	● ● ● ●	
16 Dimmer	0~255	0-100%	
17 Shutter	0~19	Close	
	20~24	Open	
	25~64	Stroboscopic 1 from fast to slow	
	65~69	Open	
	70~84	Stroboscopic 2 (faster on slow off) from fast to slow	
	85~89	Open	
	90~104	Stroboscopic 3 (slow on fast off) from fast to slow	
	105~109	Open	
	110~124	Stroboscopic 4 (random stroboscopic) from fast to slow	
	125~129	Open	
	130~144	Stroboscopic 5 (random faster on slow off) from fast to slow	
	145~149	Open	
	150~164	Stroboscopic 6 (random slow on fast off) from fast to slow	
	165~169	Open	
	170~184	Stroboscopic 7 (pulse stroboscopic) from fast to slow	
	185~189	Open	
	190~204	Stroboscopic 8 (random pulse frequency flash) from fast to slow	
	205~209	Open	
	210~224	Stroboscopic 9 (strobe light gradually destroy) from fast to slow	
	225~229	Open	
230~244	Stroboscopic 10 (pulse stroboscopic) from fast to slow		
245~255	Open		
18 Channel function	0~9	No function	
	10~14	TILT Interrupt	
	15~19	Vertical stop	
	20~24	1 Independent built-in desk lamp	
	25~29	Two lamps combined, the first built-in desk lamp	

Channel	DMX-value	Feature
14 Channel function	50~54	Four desk lamp, table lamp's built-in 4
	55~59	PAN Reset
	60~64	TILT Reset
	65~69	Reserved
	70~74	All reset
	75~79	Reserved
	80~84	PAN, TILT reverse
	85~89	PAN Reverse
	90~94	TILT Reverse
	95~99	Cancel the PAN of reverse
	100~104	Cancel the TILT of reverse
	105~109	Cancel the PAN, TILT of reverse
	110~114	Reserved
	115~119	Merge five claws, to 1 a claw
120~124	Cancel the merger five claws, to 1 a claw	
125~129	Reserved	
130~134	Reserved	
135~139	The dimming fast	
140~144	The dimming smooth	
145~255	No function	

Channel	DMX-value	1234	Feature
11 Choose light	232~239	● ● ● ●	
	240~247	● ● ● ●	
	248~255	● ● ● ●	
12 Dimmer	0~255	0-100%	
13 Shutter	0~19		Close
	20~24		Open
	25~64		Stroboscopic 1 from fast to slow
	65~69		Open
	70~84		Stroboscopic 2 (faster on slow off) from fast to slow
	85~89		Open
	90~104		Stroboscopic 3 (slow on fast off) from fast to slow
	105~109		Open
	110~124		Stroboscopic 4 (random stroboscopic) from fast to slow
	125~129		Open
	130~144		Stroboscopic 5 (random faster on slow off) from fast to slow
	145~149		Open
	150~164		Stroboscopic 6 (random slow on fast off) from fast to slow
	165~169		Open
	170~184		Stroboscopic 7 (pulse stroboscopic) from fast to slow
	185~189		Open
	190~204		Stroboscopic 8 (random pulse frequency flash) from fast to slow
	205~209		Open
	210~224		Stroboscopic 9 (strobe light gradually destroy) from fast to slow
	225~229		Open
230~244		Stroboscopic 10 (pulse stroboscopic) from fast to slow	
245~255		Open	
14 Channel function	0~9		No function
	10~14		TILT Interrupt
	15~19		Vertical stop
	20~24		1 Independent built-in desk lamp
	25~29		Two lamps combined, the first built-in desk lamp
	30~34		Built-in two desk lamp, desk lamp 2
	35~39		Four lamps combined, the first built-in desk lamp
	40~44		Four lamp together, the second built-in desk lamp
	45~49		Four desk lamp, the third built-in desk lamp

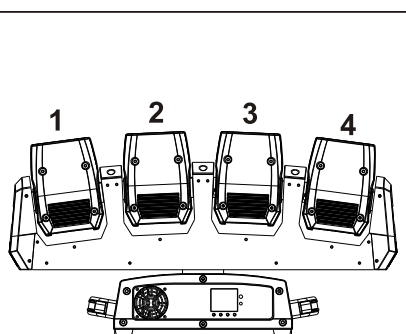
Channel	DMX-value	Feature
18 Channel function	30~34	Built-in two desk lamp, desk lamp 2
	35~39	Four lamps combined, the first built-in desk lamp
	40~44	Four lamp together, the second built-in desk lamp
	45~49	Four desk lamp, the third built-in desk lamp
	50~54	Four desk lamp, table lamp's built-in 4
	55~59	PAN Reset
	60~64	TILT Reset
	65~69	Reserved
	70~74	All reset
	75~79	Reserved
	80~84	PAN, TILT reverse
	85~89	PAN Reverse
	90~94	TILT Reverse
	95~99	Cancel the PAN of reverse
	100~104	Cancel the TILT of reverse
	105~109	Cancel the PAN, TILT of reverse
	110~114	Reserved
	115~119	Merge five claws, to 1 a claw
120~124	Cancel the merger five claws, to 1 a claw	
125~129	Reserved	
130~134	Reserved	
135~139	The dimming fast	
140~144	The dimming smooth	
145~255	No function	

14 Control Channel

Accept DMX512 control channel, detail as follow:

Channel	DMX-value	Feature
1 PAN	0~255	0~540j
2 PAN 16bit	0~255	PAN 16bit
3 PAN Speed	0~255	From fast to slow
4 PAN Rotating	0	No function
	1~127	Horizontal reverse rotation, from slow to fast
	128~255	Horizontal forward rotation, from slow to fast
5 Claw1 TILT	0~255	0~270j
6 Claw2 TILT	0~255	0~270j
7 Claw3 TILT	0~255	0~270j
8 Claw4 TILT	0~255	0~270j
9 Claw vertical built-in	0~47	No function
	48~55	Built-in 1
	56~63	Built-in2
	64~71	Built-in3
	72~79	Built-in4
	80~87	Built-in5
	88~95	Built-in6
	96~103	Built-in7
	104~111	Built-in8
	112~119	Built-in9
	120~127	Built-in10
	128~135	Built-in11
	136~143	Built-in12
	144~151	Built-in13
	152~159	Built-in14
	160~167	Built-in15
	168~175	Built-in16
	176~183	Built-in17
	184~191	Built-in18
	192~199	Built-in19
	200~207	Built-in20
	208~215	Built-in21
216~223	Built-in22	

Channel	DMX-value	Feature
9 Claw vertical built-in	224~231	Built-in23
	232~239	Built-in24
	240~247	The total internal
	248~255	Acoustic built-in
10 Claw built-in vertical speed	0~255	From fast to slow
11 Choose light	0~7	● ● ● ●
	8~15	○ ● ● ●
	16~23	○ ○ ● ●
	24~31	○ ○ ○ ●
	32~39	○ ○ ○ ○
	40~47	● ○ ○ ○
	48~55	● ● ○ ○
	56~63	● ● ● ○
	64~71	● ● ● ●
	72~79	○ ○ ○ ○
	80~87	● ○ ○ ○
	88~95	○ ● ○ ○
	96~103	○ ○ ● ○
	104~111	○ ○ ○ ●
	112~119	○ ○ ○ ○
	120~127	● ● ○ ○
	128~135	○ ● ● ○
	136~143	○ ○ ● ●
	144~151	● ○ ○ ●
	152~159	○ ○ ○ ○
	160~167	○ ● ● ●
	168~175	● ○ ● ●
	176~183	● ● ○ ●
	184~191	● ● ● ○
	192~199	○ ○ ○ ○
	200~207	● ● ● ●
	208~215	● ● ● ●
216~223	● ● ● ●	
224~231	● ● ● ●	



1234

“ ● ” Open “ ○ ” Close