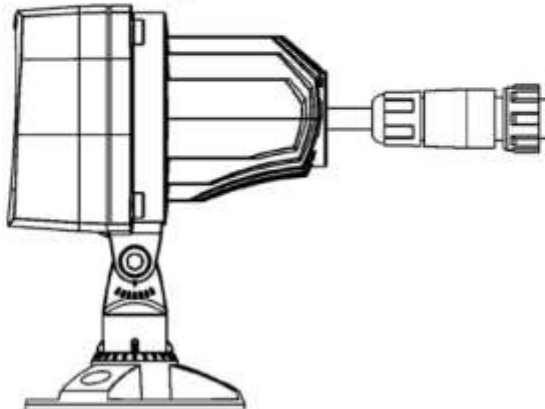


User instructions

ArcSource Outdoor 4 MC

The Anolis ArcSource Outdoor 4 MC is a Cree MC-E RGBW multichip based high powered multicolored LED fixture. The unit can be used for large scale applications, as well as used for individual illuminating needs.



1.Attention

Consider the respective national norms during the installation!

Do not install the unit near naked flames.

Avoid using the unit in locations subject to possible impacts.

Do not attempt to dismantle or modify the unit.

Do not install the module in badly ventilated location

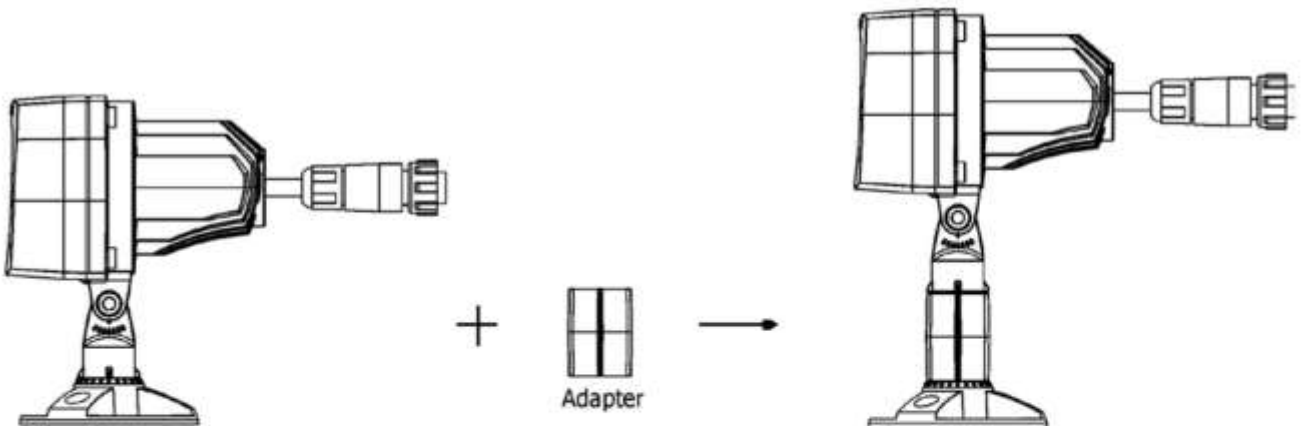
Avoid looking directly into the LED light beam at close range.

2.Installation

The ArcSource Outdoor 4 MC can be arranged in any position orientation. Three holes of diameter of 4.3mm in the ArcSource Outdoor's base serve for mounting on the non-flammable surface. The light head can be adjusted against the base in range of 120°. The ArcSource Outdoor unit has to be connected to the power source of type of LVLE according to the specifications stated in the chapter "Technical specifications".

CAUTION!
Avoid looking directly into the LED light beam at close range!

The enclosed adapter stand (with M5x45 screw) allows to place light head higher:



3. Connection

ArcSource Outdoor 4 MC



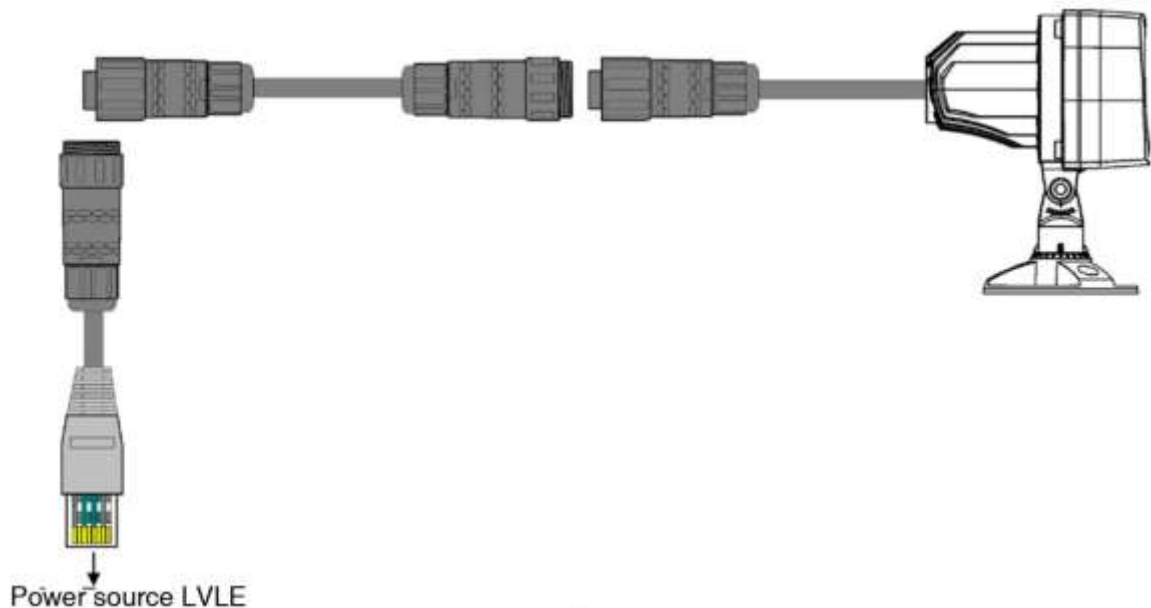
Adapter cable Chogori -Chogori (it is not a standard part of delivery)



Adapter cable Chogori -RJ45 (it is not a standard part of delivery)



Connection to the ArcPower driver



4. Technical specifications

LED Device:	Cree MC-E multichip
Available beam angles:	11°, 26°, 36°
Colour variants:	RGBW, RGBA
Max. Current per Colour:	350 mA
Maximum Power Consumption:	6 W
Max. input voltage:	48V
Typical Lumen Maintenance:	70% @ 50.000 hours
Led Life Expectancy:	minimum 50.000 hours
Cooling System:	convection
Operating Ambient Temp.Range:	-20°C/+45°C
Housing:	alluminium
Weight:	0.62 kg
Mounting:	via 3 holes in the base
Connection:	cable LiYY 8xAWG22 UL Style 2517/CSA O.D. 6,70mm, length=50 cm connector Chogori CGRBDU-08BMMA-SL8001 (male)
Ingress protection:	Suitable for wet location

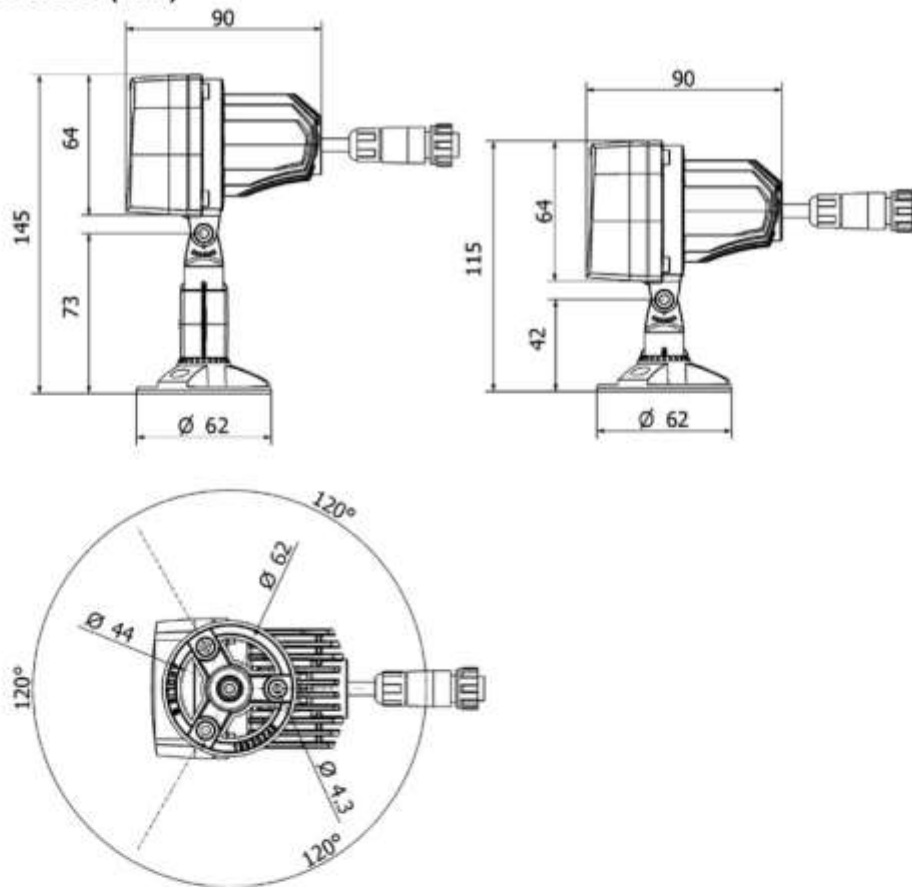
5. Accessories

- 1x Connector Chogori CGRBDU-08BFFA-SL8001 (female)
- 1x Adapter stand (No. 19730251)
- 1x Screw M5x45
- 1x Allen key 4
- 1x Splitter (No. 13050690)

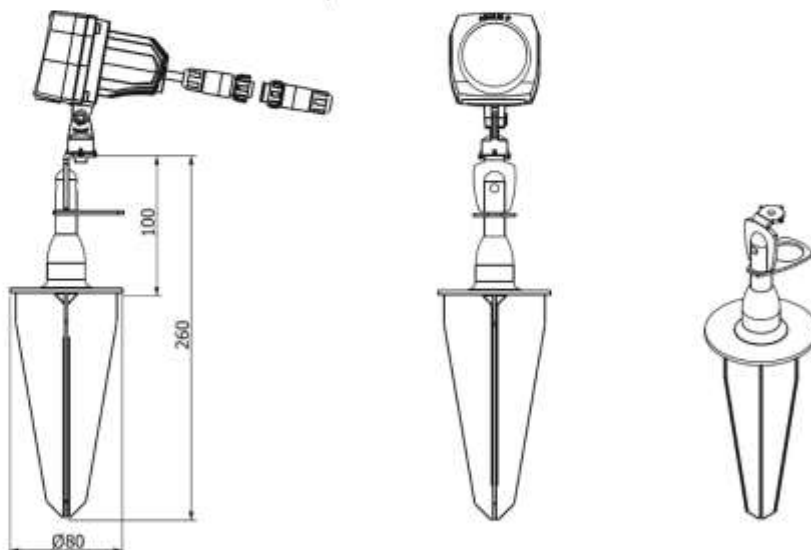
6. Optional Accessories

- Adapter cable CGRBDU-08BFFA/ CGRBDU-08BMMA, L=3m (No. 13051960), IP=68
- Adapter cable CGRBDU-08BFFA/RJ4 RJ45, L=0.25m (No. 13051966)
- T-connector Chogori 8-pin (No. 13051938)
- Land spike 1 ASO 4 MC 100mm (No. 10980178)
- Land spike 2 ASO 4 MC 100mm (No. 10980179)
- Land spike 1 ASO 4 MC 500mm (No. 10980180)
- Land spike 2 ASO 4 MC 500mm (No. 10980181)
- Land spike 3 ASO 4 MC 500mm (No. 10980183)
- Top hat ArcSource Outdoor 4 MC (P/N 10980273)
- Half top hat ArcSource Outdoor 4 MC (P/N 10980253)

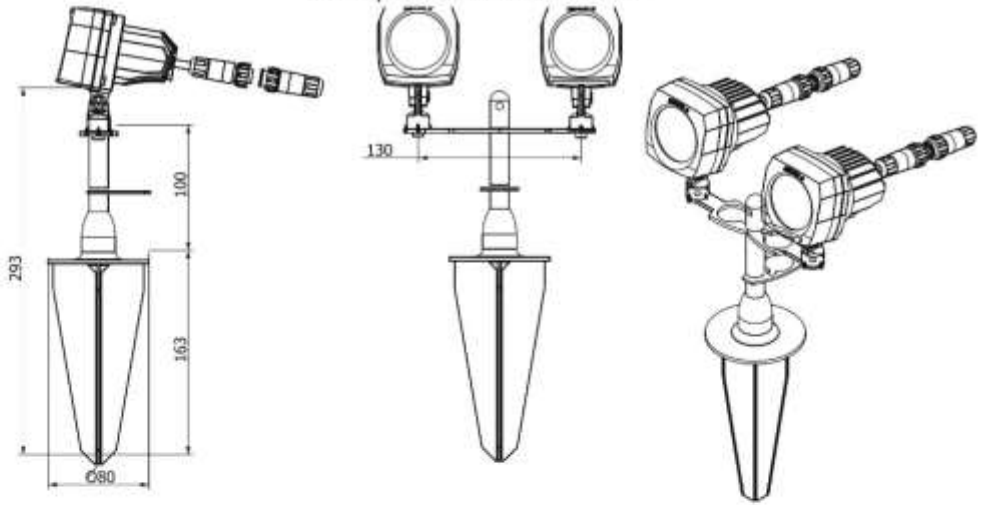
7. Dimensions (mm)



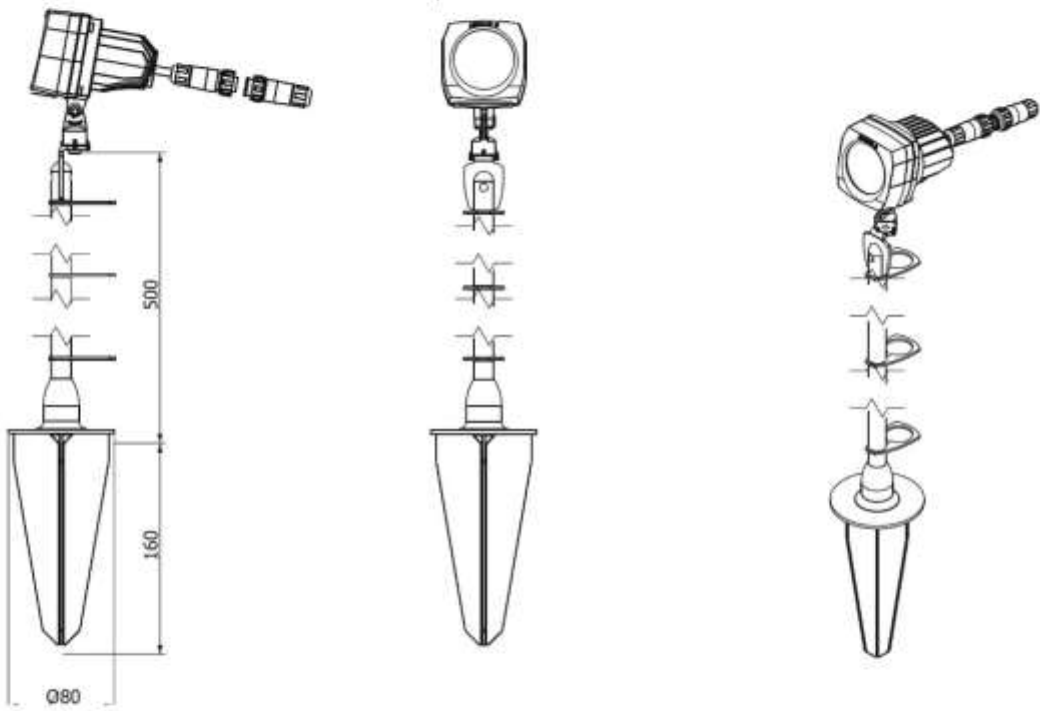
Land spike 1 ASO 4 MC 100mm



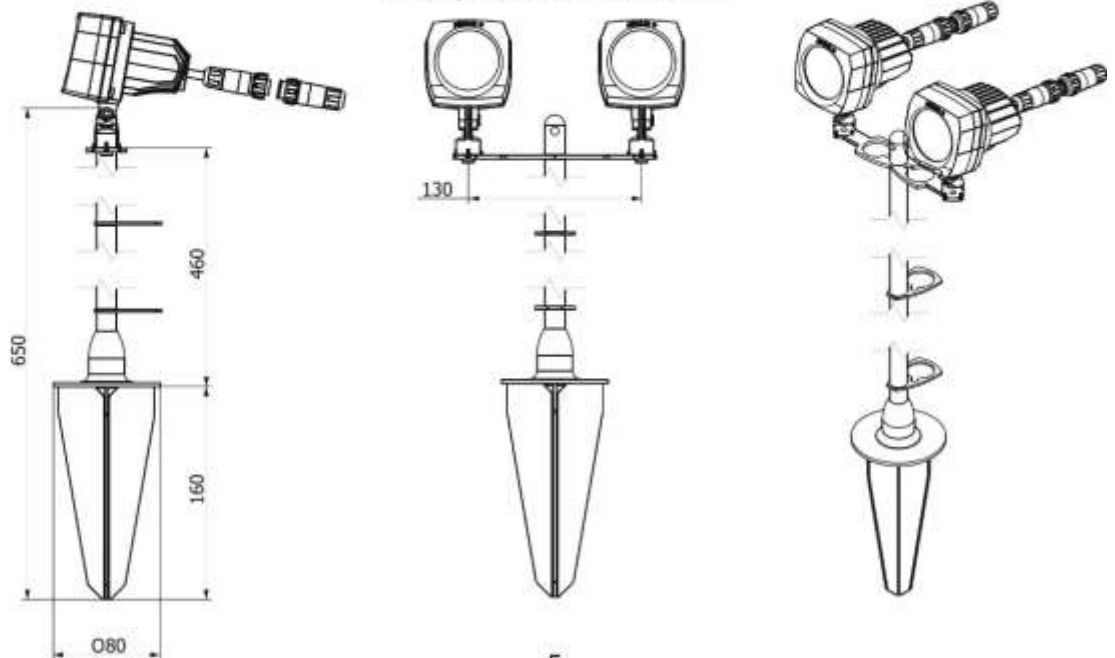
Land spike 2 ASO 4 MC 100mm



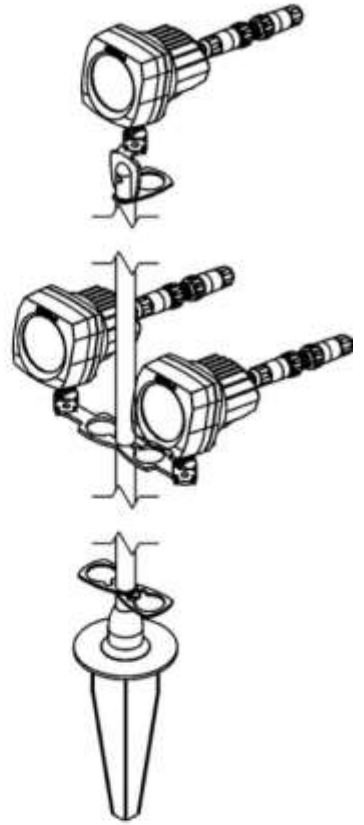
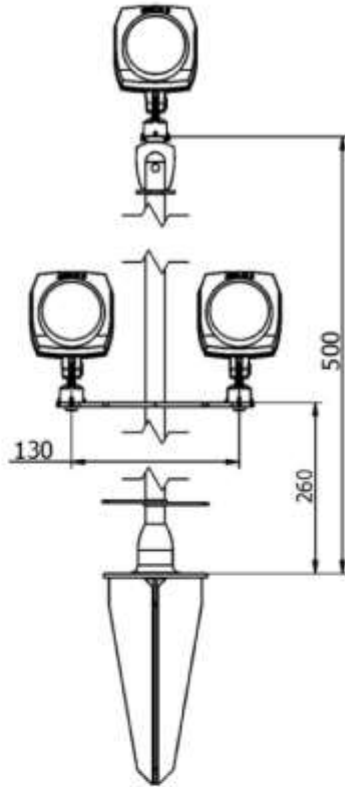
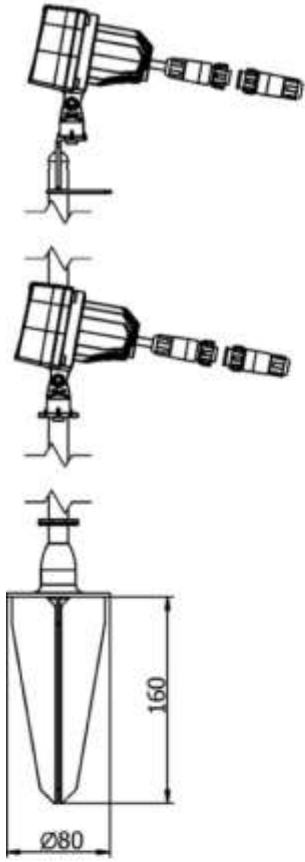
Land spike 1 ASO 4 MC 500mm



Land spike 2 ASO 4 MC 500mm



Land spike 3 ASO 4 MC 500mm



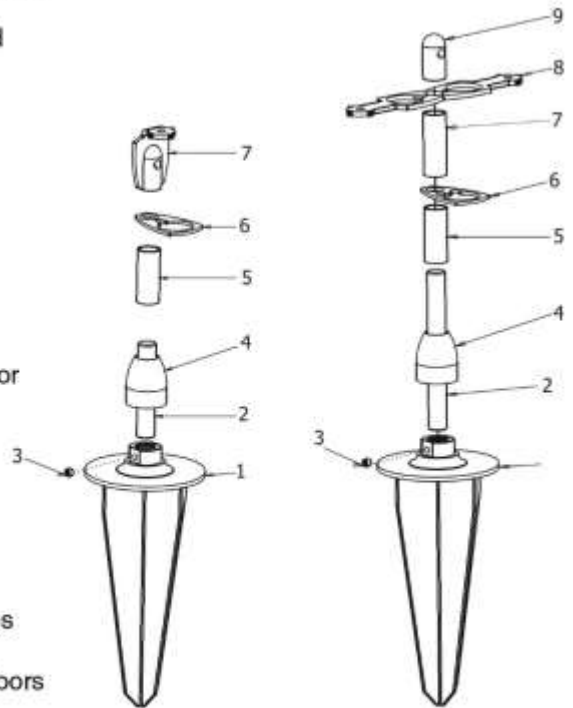
8. Installing the ArcSource Outdoor 4 MC onto a land spike

Land spike 1 ASO 4 MC 100mm / Land spike 2 ASO 4 MC 100mm

1. Hammer the sharp part (1) of the land spike into ground (hammer the centre of the sharp part, not the edge).
2. Screw the threaded bar (2) into the sharp part (1) and secure it with the socket head M5x5 (3).
3. Put the cover (4) on the threaded bar (2).
4. Put the pipe 36.5 mm (5) on the threaded bar (2).
5. Put the cable holder (6) on the threaded bar (2).

Land spike 1 ASO 4 MC 100mm only.

6. Screw the nut (7) on the threaded bar (2).
7. Screw the ArcSource Outdoor 4 MC on the nut (7).
(Use the socket head M5x14 from the ArcSource Outdoor 4 MC to screw it to the nut (7)).
8. Pass the cable through the cable holder (6).



Land spike 2 ASO 4 MC 100mm only.

6. Put the pipe 42 mm (6) on the threaded bar (2).
7. Put the ArcSources holder (8) on the threaded bar (2).
8. Screw the nut (9) on the threaded bar (2).
9. Screw both ArcSource Outdoor 4 MC on the ArcSources holder (8).
(Use the socket heads M5x14 from the ArcSource Outdoors 4 MC to screw them to the holder (8)).
10. Pass the cable through the cable holder (6).

Land spike 1 ASO 4 MC 500mm / Land spike 2 ASO 4 MC 500mm

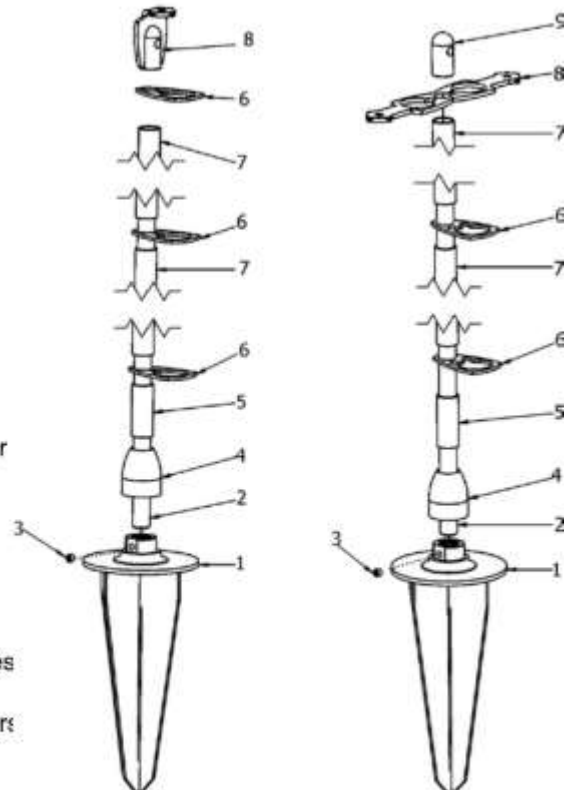
1. Hammer the sharp part (1) of the land spike into ground (hammer the centre of the sharp part, not the edge).
2. Screw the threaded bar (2) into the sharp part (1) and secure it with the socket head M5x5 (3).
3. Put the cover (4) on the threaded bar (2).
4. Put the pipe 36.5mm (5) on the threaded bar (2).
5. Put the cable holder (6) on the threaded bar (2).
6. Put the pipe 198mm (7) on the threaded bar (2).
7. Put the cable holder (6) on the threaded bar (2).
8. Put the pipe 198mm (7) on the threaded bar (2).

Land spike 1 ASO 4 MC 500mm only:

9. Put the cable holder (6) on the threaded bar (2).
10. Screw the nut (8) on the threaded bar (2).
11. Screw the ArcSource Outdoor 4 MC on the nut (8).
(Use the socket head M5x14 from the ArcSource Outdoor 4 MC to screw it to the nut (7)).
12. Pass the cable through the cable holders (6).

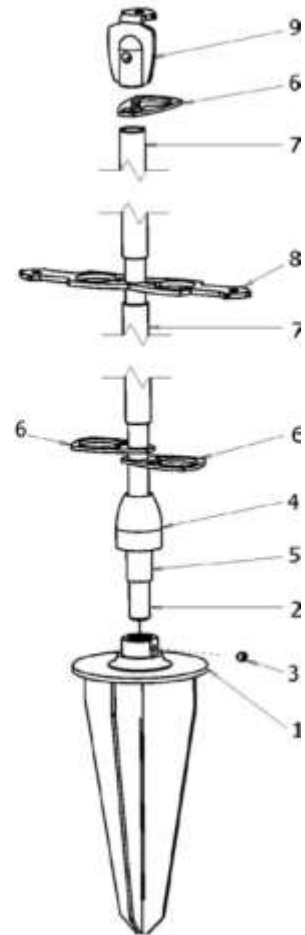
Land spike 2 ASO 4 MC 500mm only:

9. Put the ArcSources holder (8) on the threaded bar (2).
10. Screw the nut (9) on the threaded bar (2).
11. Screw both ArcSource Outdoor 4 MC on the ArcSources holder (8).
(Use the socket head M5x14 from the ArcSource Outdoors 4 MC to screw them to the holder (8)).
12. Pass the cable through the cable holders (6).



Land spike Land spike 3 ASO 4 MC 500mm

1. Hammer the sharp part (1) of the land spike into ground (hammer the centre of the sharp part, not the edge).
2. Screw the threaded bar (2) into the sharp part (1) and secure it with the socket head M5x5 (3).
3. Put the cover (4) on the threaded bar (2).
4. Put the pipe 36.5mm (5) on the threaded bar (2).
5. Put the cable holders (6) on the threaded bar (2).
6. Put the pipe 198mm (7) on the threaded bar (2).
7. Put the ArcSources holder (8) on the threaded bar (2).
8. Put the pipe 198mm (7) on the threaded bar (2).
9. Put the cable holder (6) on the threaded bar (2).
10. Screw the nut with holder (9) on the threaded bar (2).
11. Screw ArcSources Outdoor 4 MC on the ArcSources holders (8,9).
(Use the socket head M5x14 from the ArcSource Outdoors 4 MC to screw them to the holder (8)).
12. Pass the cable through the cable holders (6).



9. Installing a top hat

1. Unscrew two screws (1) with washers (2) from the ArcSource Outdoor 4 MC housing and place the top hat (3) on the ArcSource Outdoor 4 MC.
2. Screw the top hat (3) onto the ArcSource Outdoor 4 MC with two screws (1) and two washers (2) using a tightening torque of 4Nm. Check that all screws are firmly screwed.

