

Channel 4 DOB

Product Sheet

 Luminaires

Easy to use and simple to operate.

Channel 4 DOB is the ideal linear LED fixture designed for the indoor use.

Channel 4 DOB comes with a built-in driver inside. All you need is one power supply, just plug it in and it works!

When you wish to obtain a mono chromatic color, and no dimming needed*; one **Channel 4 DOB** will do the trick.

Channel 4 DOB is a versatile liner: Available in lengths of up to 2000mm, offering a choice of 20mm optics and a wide range of LED configurations.



Installation

With 2 sets of attachments supplied, **Channel 4 DOB** can be set to 3 different positions (0, -15, +15 deg.). Units can be daisy chained using a jumper cable.

Optic Range

Different optics can be specified for each unit. The oval lens is designed for wall grazing.

Thermal Protection

The fixture is thermally managed to maintain consistency in color and output.

High Power

The liner can be operated at 700mA, with a max. power consumption of 90.1W.



*dimming is available upon request



www.d-led.net

Channel 4 DOB

Product Sheet

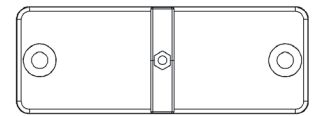
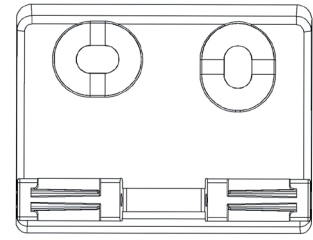
Table1_Electrical Specifications

Output LED Source	High power Luxeon Rebel
Channel Range	1 channel
Color Choice	Monochrome color only
Optical System	6°, 15°, 25°, 36°, Oval
Electrical Control	Driver on board
Input Voltage	24VDC
LED Driving Current	350mA/ 500mA/ 700mA
Max. LEDs Per Chain*	32 LEDs @ 700mA 44 LEDs @ 500mA 64 LEDs @ 350mA
Efficiency	Up to 90%
Electrical Protection	Reverse polarity, over voltage
Thermal Protection	Triggered @ 60°C, slowly decreases driving current/ @80-85°C driving current approx. 50% of nominal
Dimming Options	0-10VDC, PWM**
Physical Length	Dependent
Width	42mm
Height	44.8mm
Housing	Powder coated aluminum, UV protected polycarbonate
Color	Aluminium anodize
Accessories Attachments	Visible, blind 180° Adjustable
Environmental Operating temp.	0°C ~ + 40°C
Storage temp.	0°C ~ + 60°C
IP Rating	Indoor - IP40

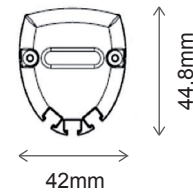
* See power consumption table

** Dimming is available upon request.

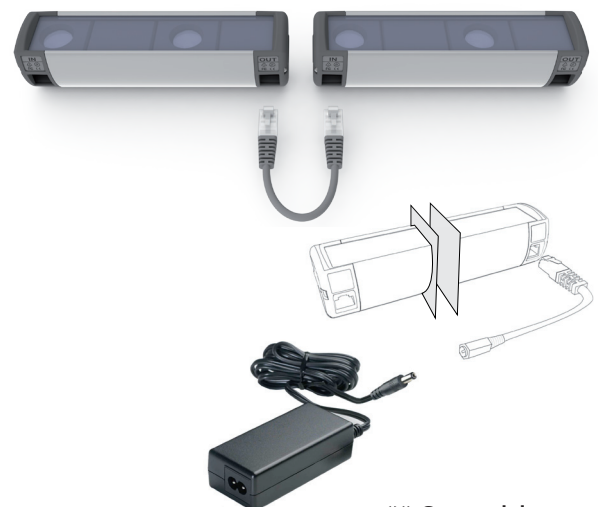
Attachments



Dimensions



Daisy Chain Connection



** See table 1



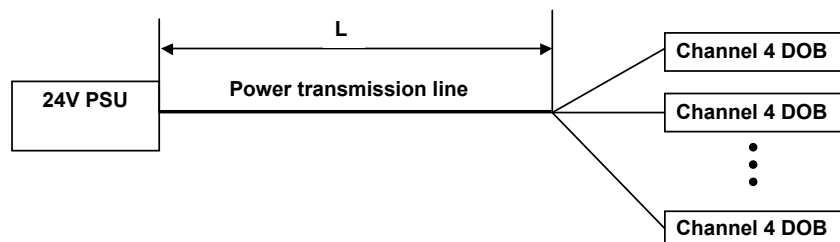
Power Consumption Table

No. of LEDs	Power Consumption [W] using LUXEON Rebel (Vf=3.5V)			Power Consumption [W] using LUXEON Rebel ES (Vf=3.0V)		
	@350mA	@500mA	@700mA	@350mA	@500mA	@700mA
4	5.9	8.2	11.3	5.0	7.0	9.6
8	11.9	16.5	22.5	10.1	14.0	19.1
12	17.8	24.7	33.8	15.1	21.0	28.7
16	23.8	32.9	45.1	20.2	28.0	38.3
20	29.7	41.2	56.3	25.2	35.0	47.9
24	35.6	49.4	67.6	30.3	42.0	57.4
28	41.6	57.6	78.9	35.3	49.0	67.0
32	47.5	65.9	90.1	40.4	56.0	76.6
36	53.5	74.1	N/A	45.4	63.0	86.2
40	59.4	82.4	N/A	50.5	70.0	N/A
44	65.3	90.6	N/A	55.5	77.0	N/A
48	71.3	N/A	N/A	60.6	84.0	N/A
52	77.2	N/A	N/A	65.6	N/A	N/A
56	83.2	N/A	N/A	70.7	N/A	N/A
60	89.1	N/A	N/A	75.7	N/A	N/A
64	95.0	N/A	N/A	80.8	N/A	N/A
68	N/A	N/A	N/A	85.85	N/A	N/A
72	N/A	N/A	N/A	90.9	N/A	N/A

Cable Limitations

Cable Type	Wire Cross Section	LED Type	LED Forward Voltage (typ.)	Max. Cable Length (L)*
CAT5	8x24 AWG	Rebel ES	3.0 V	20m
CAT5	8x24 AWG	Rebel	3.5 V	15m

* The calculations were made for the following connection structure:

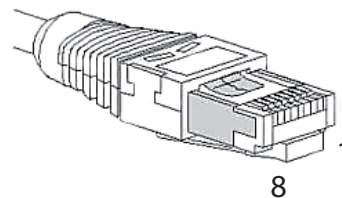


Cable Length

Length	No. of LEDs	BIN Options	Optics
171mm	4	WW- 2700K WW- 3000K NW- 4000K CW- 6500K Red Green Blue Amber	6° 15° 25° 45° 6° x 25°
337mm	8		
503mm	12		
669mm	16		
835mm	20		
1001mm	24		
1067mm	28		
1332mm	32		
1499mm	36		
1665mm	40		
1800mm	44		
2000mm	48		

Table 2_Power Input Pin-Out

Pin	Polarity
1	GND
2	
3	
4	+Vdim*
5	N.C.
6	+24V
7	
8	



*On dimming supporting fixtures only, otherwise N.C.

Note:

In case the connection structure is different and longer cable is needed, please consult with R&D department.

