

Beam Moving Head

eco Stage

(4x32W CW-WW LED)



User manual

Please read this user manual before using this product.



I. Checking before using

| No. | Item | Quantity | Unit |
|-----|-----------------------|----------|-------|
| 1 | 32W 4Head Moving Head | 1 | Piece |
| 2 | hanging bracket | 2 | Piece |
| 3 | Power cable | 1 | Piece |
| 4 | User manual | 1 | Piece |
| 5 | Hook | Optional | |
| 6 | Safe wire | | |
| 7 | DMX cable | | |

★For security reasons and in accordance with the terms, reassemble or modify the product is not allowed without permission. Please note that due to human damage caused by improper use of the product, will break the warranty qualification. Moreover, the unprofessional operation may lead to short circuits, burns or electric shock, and so on.

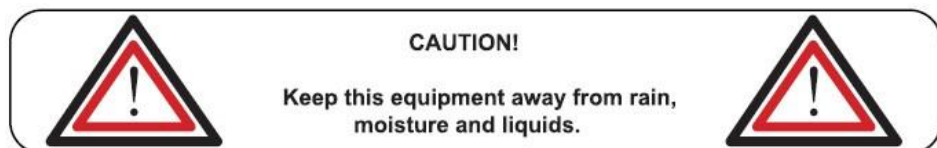
★This device has been full inspection before shipping. For your safety, please operate it according the User Manual.

★If any damage caused by improper operation will result in the termination of the warranty claims. The manufacturer does not accept any responsibility of property damage due to improper operation or personal injury due to non-compliance with the operating instructions.

★Keep the manual in a safe place for future reference as well as after the product sale, lease, etc..

★Note: Based on product improvements, specification may change without notice. Changes in product specifications related rights will be reserved.

II. Safety Instruction



IX Product maintenance and cleaning

Please note the following information when testing this product:

- ★All the screws and components of the installation must be tightly connected;
- ★The housing, lens, static parts and installation site can not be deformed;
- ★Any abrasion on power cable is unacceptable.
- ★The installation and use of the product must be carried out by a trained professional and technical person, must ensure that the exclusion of security risks.

Notice: Power OFF before maintenance!

It is important to keep the fixture clean, not only to keep the light output at maximum brightness, but also to extend its service life. It is recommended to use high-quality professional glass cleaner and a soft cloth to clean, any alcohol or chemical solvents is not allowed during the cleaning. The inside of the lamp and the fan should be cleaned by vacuum cleaner at least one time quarterly.

| | | | | |
|----|-----|---|-----|-----------------------|
| 23 | 000 | - | 199 | No function |
| | 200 | - | 209 | Reset(Stay 3 seconds) |
| | 210 | - | 240 | No function |
| | 241 | - | 255 | Sound control mode |

Attached list 4: LED color select details

| | Value | | Function |
|-----------|-------|-------|-------------|
| LED color | 000 | - 007 | No function |
| | 008 | - 090 | WW |
| | 091 | - 173 | CW |
| | 174 | - 255 | WW+CW |

VIII Product specification

| Item | Specification |
|---------------------------|--|
| LED color | CW/WW |
| LED quantity | 4 pieces |
| LED Power | 32W |
| LED Dimmer | 0-100% linear dimmer |
| DMX socket | 3pin DMX(DMX+.DMX-.Ground) |
| DMX address | DMX512 |
| Channel | 2Chan/16Chan/23Chan |
| Function | Show mode,Sound active mode,DMX512 mode,DMX static color mode,DMX strobe function,easy control |
| Rotation angle | DMX X axis angle 540°,Y axis 180° |
| | Sound active X axis unlimited rotation |
| Voltage | AC100-240V/50-60Hz |
| Fuse | F3AL250V(5x20mm) |
| Power consumption | 100W |
| Power factor | 0.969PF |
| Currency | 0.439A |
| LED Currency (1 meter) | WW 20000Lux(2pcs) |
| | CW 38000Lux(2pcs) |

1. When opening the packing, take all accessories out, and remove the light to a horizontal table for good operation. First check whether the accessories are complete, then check carefully whether the whole light has no damage. If there is any damage, please contact us as soon as possible.

2. AC Power:Check whether the local power supply is accordance with the requirements of the product rated voltage.

3. The product is only suitable for indoor working environment. The light should keep dry, keep away from wet, overheat or dusty environment. Don't come into contact with water and other liquids to prevent or reduce the risk of electric shock or fire.

4. Please do not install the light directly on the surface of the combustible substance.

5. The people who install, operate and maintain of light professional certificate required.

6. When there are faults of the light, please stop using the light immediately. Don't try to repair, please contact the nearest authorized technical assistance center, if the parts damage, always use the same type of parts replaced.

7. Don't touch any electrical wiring in the process of operation to prevent the risk of electric shock.

8. To make sure the light working environment temperature, the highest do not exceed 40°C, the lowest do not exceed - 20 °C

9. Under the stable cooling working situation, the highest temperature of the housing of the light can reach 80 °C, please do not touch.

10. The light is design according to the type of electric shock protection. The light should be use in good connection grounding power system and the earth sign port of the light should be connected to the installing fixtures.

11. Do not use the damage of the insulating layer wire and also do not use the power cord overlap on the other wire. When not in use or clean the light, please disconnect the power, don't pull the plug in hard or just drag the wires.

12. There are no components inside for maintenance. Before start operation the light, please check whether all of the shell is installed. In the case of the shell open used the light is prohibited.

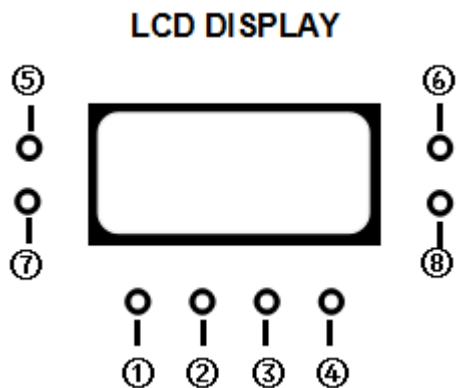
Note: Under any installation, maintenance and clean the light, please confirm that has cut off the power cord!



CAUTION! TAKE CARE USING THIS EQUIPMENT!
HIGH VOLTAGE-RISK OF ELECTRIC SHOCK!!



III LED Display



| Item | No. | Text | Function | |
|---------|-----|--------|--------------------|--------------------|
| Button: | ① | MENU | Enter setting menu | |
| | ② | ▲ | Next menu | |
| | ③ | ▼ | Last menu | |
| | ④ | ENTER | Confirm | |
| LED: | ⑤ | DMX | Flash | DMX mode |
| | ⑥ | SLAVE | Flash | Slave mode |
| | ⑦ | MASTER | Flash | Master mode |
| | ⑧ | SOUND | Flash | Sound control mode |

IV. Menu Instruction

Choose a function, press **MENU** button, choose the menu. Press **ENTER** button enter the chosen function, LED display strobe, then press **UP/DOWN** button to choose the function, press **ENTER** button to confirm. Or wait for 10 seconds or press the **MENU** long time, then could enter the main mode.

Main Function as follows:

Attached list 3: 23CH mode

| CH | Value | | | Function |
|-----|-------|-----|--------|--|
| 1 | 000 | - | 255 | Pan 540°adjust |
| 2 | 000 | - | 255 | Pan rotation speed, fast to slow |
| 3 | 000 | - | 255 | Pan fine |
| 4 | 000 | - | 049 | Pan no function |
| | 050 | - | 149 | Pan anticlockwise rotation, fast to slow |
| | 150 | - | 155 | Pan stop |
| | 156 | - | 255 | Pan clockwise rotation, slow to fast |
| 5 | 000 | - | 255 | Dimmer, 0-100% |
| 6 | 000 | - | 007 | LED on |
| | 008 | - | 015 | LED off |
| | 016 | - | 131 | LED Strobe,slow to fast |
| | 132 | - | 139 | LED shutter open |
| | 140 | - | 181 | Slow off,quick on, effect speed slow to fast |
| | 182 | - | 189 | LED shutter open |
| | 190 | - | 231 | Quick off,slow on,effect speed slow to fast |
| | 232 | - | 239 | LED shutter open |
| | 240 | - | 247 | Random strobe |
| 248 | - | 255 | LED on | |
| 7 | 000 | - | 255 | Y1 axis 180°adjust |
| 8 | 000 | - | 255 | Y1 axis fine adjust |
| 9 | 000 | - | 255 | Y1motor speed, fast to slow |
| 10 | 000 | - | 255 | LED1 color select |
| 11 | 000 | - | 255 | Y2 axis 180°adjust |
| 12 | 000 | - | 255 | Y2 axis fine adjust |
| 13 | 000 | - | 255 | Y2 motor speed, fast to slow |
| 14 | 000 | - | 255 | LED2 color select |
| 15 | 000 | - | 255 | Y3 axis 180°adjust |
| 16 | 000 | - | 255 | Y3 axis fine adjust |
| 17 | 000 | - | 255 | Y3 motor speed, fast to slow |
| 18 | 000 | - | 255 | LED3 color select |
| 19 | 000 | - | 255 | Y4 axis adjust |
| 20 | 000 | - | 255 | Y4 axis fine adjust |
| 21 | 000 | - | 255 | Y4 motor speed, fast to slow |
| 22 | 000 | - | 255 | LED4 color select |

Attached list 2: 16CH mode

| CH | Value | | Function |
|-----|-------|--------|--|
| 1 | 000 | - 255 | Pan 540°adjust |
| 2 | 000 | - 255 | Pan rotation speed, fast to slow |
| 3 | 000 | - 255 | Pan fine |
| 4 | 000 | - 049 | Pan no function |
| | 050 | - 149 | Pan anticlockwise ration, fast to slow |
| | 150 | - 155 | Pan stop running |
| | 156 | - 255 | Pan clockwise ration, slow to fast |
| 5 | 000 | - 255 | LED dimmer, 0-100% |
| 6 | 000 | - 007 | LED on |
| | 008 | - 015 | LED off |
| | 016 | - 131 | LED strobe,slow to fast |
| | 132 | - 139 | LED shutter open |
| | 140 | - 181 | Slow off,quick on, effect speed slow to fast |
| | 182 | - 189 | LED shutter open |
| | 190 | - 231 | Quick off,slow on,effect speed slow to fast |
| | 232 | - 239 | LED shutter open |
| | 240 | - 247 | LED Random strobe |
| 248 | - 255 | LED on | |
| 7 | 000 | - 255 | Y1 axis 180°adjust |
| 8 | 000 | - 255 | LED1 color select |
| 9 | 000 | - 255 | Y2 axis 180°adjust |
| 10 | 000 | - 255 | LED2 color select |
| 11 | 000 | - 255 | Y3 axis adjust |
| 12 | 000 | - 255 | LED3 color select |
| 13 | 000 | - 255 | Y4 axis 180°adjust |
| 14 | 000 | - 255 | LED4 color select |
| 15 | 000 | - 007 | No function |
| | 008 | - 247 | Show mode 1-16 |
| | 248 | - 255 | Sound control mode |
| 16 | 000 | - 199 | Show speed, slow to fast |
| | 200 | - 209 | Reset |
| | 210 | - 240 | Keep fastest speed |
| | 241 | - 255 | Sound control mode |

| Menu | Submenu | Detail | |
|------------------|--------------|------------------------|----------------|
| DMX Address | 001--512 | DMX address | |
| Channel Mode | DMX 2Ch | Channel mode | |
| | DMX 16Ch | | |
| | DMX 23Ch | | |
| Slave Mode | Master | Master mode | |
| | Slave 1 | Slave 1 | |
| | Slave 2 | Slave 2 | |
| Show Mode | Show 0 | Random show mode | |
| | Show 1 | show mode 1 | |
| | ↓ | ↓ | |
| | Show 16 | show mode 16 | |
| Sound State | On | Sound active on | |
| | Off | Sound active off | |
| Sound Sense | 0-100 | Sound sensitivity | |
| Back Light | On | Display on | |
| | Off | Display off | |
| Pan Inverse | No | Pan direction | Under DMX mode |
| | Yes | Pan reverse direction | |
| Tilt Inverse | No | Tilt direction | |
| | Yes | Tilt reverse direction | |
| Auto Test | Test | Self test | |
| Fixture Time | 0-99999 | Working time | |
| Firmware Version | CPUA Ver 010 | Software Version | |
| | CPUB Ver 010 | | |
| | CPUC Ver 010 | | |
| Reset | MS-MF4-FC | Reset | |

V. How to operation

1. Master/slave mode to control.

2. DMX controller

Master/slave mode to control

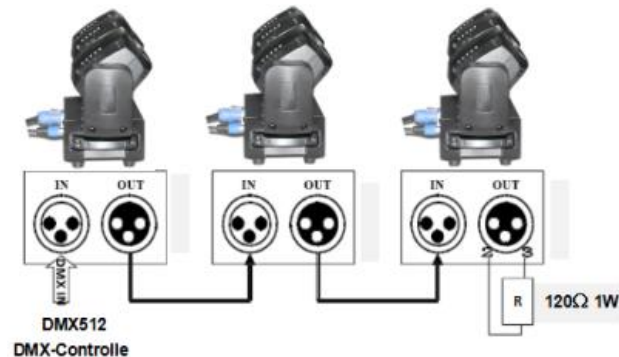
Connect the lights in series, the first way, the lights are automatically as the master and slave lights. After that, master-slave lights will work.

In the second way, the first light control the other light auto show and sound control show and so on. This function is suitable for instant performance mode. The first light must be set to master mode, through press "Slave Mode" to enter, select "Master" and select "Show Mode" same time. Now show mode, 0-16 can be arbitrarily selected. The second light and the above programs choose to press "Slave Mode" to enter, select "Slave 1" (as the master light) or "Slave 2" (as the master light) mode.

VI How to DMX control

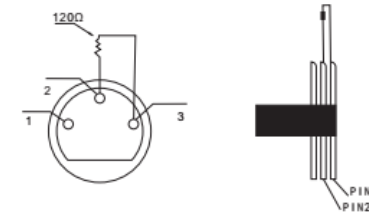
If control by DMX controller, then you need to set the address code to control the light, the address code value is 1-512, the light could receive the signal accordingly.

Press MENU button, select **Addr** menu, press ENTER button, address will strobe. Use UP /DOWN to select DMX512 address. After address ensure, press ENTER button, until address stop strobe, After 8 seconds will return the menu. If return the former but not change, press the menu button. If want to control many light at the same time, please link them by DMX cable one by one. Picture as below.



During the installation, if the signal line is too long, or in relatively noisy electrical environments, such as dance halls, we recommend using DMX terminator (circuit connection). It can avoided the control signal turbidity due to electrical noise. DMX terminal is connected by a simple XLR head (2-pin and

3-pin) connecting a 120Ω resistor, please set the terminal into the final device output port, please refer to the diagram.



VII Chanel mode instruction(choose **ADD1** default address code)

Attached list 1: 2CH mode

| 2CH | Value | Function |
|-----------|-------------|-------------------------|
| 1 | 000 - 007 | No function |
| | 008 - 022 | 1 |
| | 023 - 037 | 2 |
| | 038 - 052 | 3 |
| | 053 - 067 | 4 |
| | 068 - 082 | 5 |
| | 083 - 097 | 6 |
| | 098 - 112 | 7 |
| | 113 - 127 | 8 |
| | 128 - 142 | 9 |
| | 143 - 157 | 10 |
| | 158 - 172 | 11 |
| | 173 - 187 | 12 |
| | 188 - 202 | 13 |
| | 203 - 217 | 14 |
| | 218 - 232 | 15 |
| 233 - 247 | 16 | |
| 248 - 255 | Random mode | |
| 2 | 000 - 199 | Show mode, slow to fast |
| | 200 - 209 | Reset |
| | 210 - 240 | Keep fastest speed |
| | 241 - 255 | Sound mode |