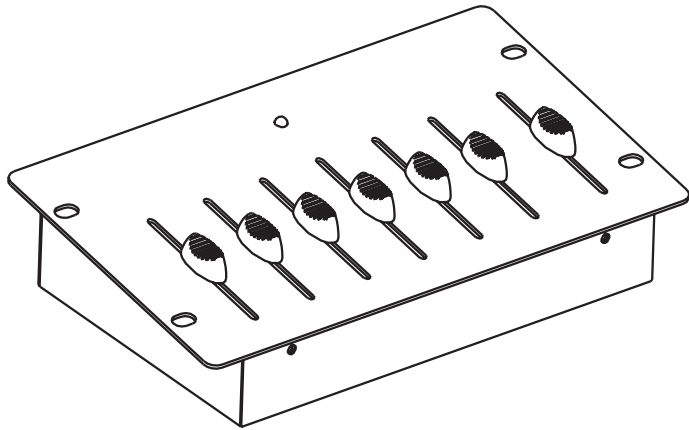


DMX 512 CONTROLLER SERIES



□ **6 Channel**
Simple DMX Controller →

Version:1.1 2012.9.14

User Manual

This product manual contains important information about the safe installation and use of this product. Please read and follow these instructions carefully and keep this manual in a safe place for future reference.

1. General instruction

We wish to express our gratitude for your purchase of our digital product SO-1321. You now own a professional 6-channel DMX controller with many useful functions. SO-1321 is a compact and portable device and it has optional power supply -DC 9V adapter and a simple battery. The unit is convenient to carry and easy to operate for users.

2. Safety rules

Before operating, please read the User's Manual thoroughly.

That would be necessary and helpful for you to use the unit more available and effectively. The following rules give important information regarding safety during use and maintenance:

Keep the unit dry, do not expose it to water or high levels of humid. Do not try to dismantle or modify the product without any authorized permission.

Keep the unit away from magnetic fields when operating.

Do not make any inflammable liquids or metal objects enter the unit.

Handle this product with great care, any strong shocks or vibration may result in malfunction.

This unit must only be operated by adults, do not allow children to tamper or play with it.

Do not operate this unit if the ambient temperature exceeds 45°C .

Should any liquid be spilled on the unit, disconnect the power supply to the product immediately.

Should the unit not be used for a long period of time, please take out the battery.

3. Notice Information

When unpacking the unit, please make sure that SO-1321 has not suffered any damage during transportation. Should any damage have occurred, please do not use it and contact the dealer/retailer immediately.

We would not be responsible for any resulting damage due to your inobservance or improper doings upon the unit. Never allow non-authorized or unqualified personnel with any kind of intervention to the product.

Specifications and improvements in this design of this product and this manual are subject to change without any prior written notice!

4. Technical Specifications

Power Input: DC 9V, 100 mA min.

DMX Output: 3 PIN female DMX connector

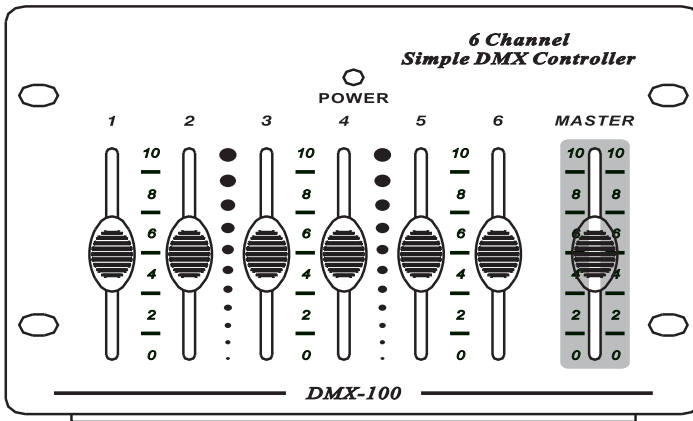
Battery type: PP3 9V

Dimensions: 180 × 135 × 55 mm

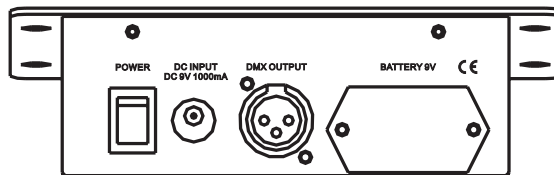
Weight: Approx. 0.8 kg

5. Product view

Front panel view



Rear panel view



6. Operating Instructions

Power supply:

This product provides optional power supply - DC 9V adapter and build-in battery. When finish using the unit, please turn off the power for saving more energy.

Master slider:

Master slider can adjust the values of 1~6 channels, and it provides total control towards overall DMX output.

Faders (1~6) :

These six faders provide direct control over the corresponding dimmers, and thus the intensity for any connected lumina