

# Source Four *mini*™ LED

---

## User Manual

Revision B

# Table of Contents

---

Introduction . . . . .	1
Basic Assembly . . . . .	2
Install Lens Tube . . . . .	3
Adjustments. . . . .	3
Adjusting the yoke position . . . . .	3
Setting the angle with the yoke . . . . .	3
Locking the rotation in the canopy and track-mount variations. . .	4
Focusing the beam . . . . .	4
Shaping the Beam . . . . .	4
Pattern Projection . . . . .	5
Color Frame Holder . . . . .	5
Adjusting the C-clamp on the Portable . . . . .	6
Cleaning the Glass Lens . . . . .	7

ETC® and Source Four mini™ are registered trademarks of Electronic Theatre Controls, Inc. in the United States and other countries.

All other trademarks, both marked and not marked, are the property of their respective owners.

ETC permits the reproduction of materials in this manual only for non-commercial purposes. All other rights are reserved by ETC.

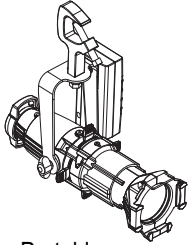
ETC intends this document, whether printed or electronic, to be provided in its entirety.



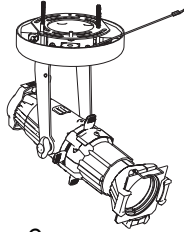
# Introduction

---

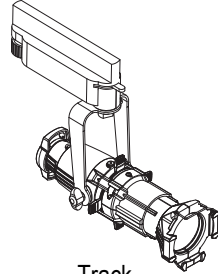
The Source Four Mini LED has three available mounting options. The portable version includes a miniature C-clamp and yoke mounted driver. The canopy-and track-mount designs both include an integral driver. There are four lens tube sizes available for each mounting style; 19°, 26°, 36°, and 50°.



Portable




Canopy



Track

This manual covers the common features for all three versions of the Source Four Mini LED. For information on installing the canopy and track-mount variations, see the *Source Four Mini LED Canopy and Track-Mount Kits Installation Guide*. For information on adjusting the miniature C-clamp on the portable variation, see [Adjusting the C-clamp on the Portable on page 6](#).

---

 **WARNING:** **Please note the following safety warnings before use:**  
Do not mount the fixture on or near combustible surfaces.  
Do not operate the fixture without a lens installed.  
Always hang the fixture with the color frame retaining clip in the locked position.

---

 **WARNING:** To reduce the risk of fire and electric shock, use the track mount version only with the EUTRAC track system.

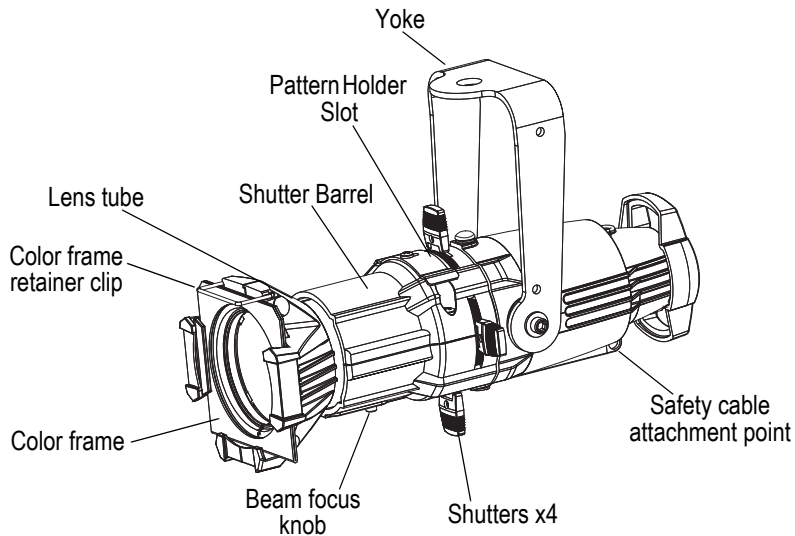
---

 **AVERTIR:** Pour éviter le risque d'incendie ou de choc électrique utiliser seulement avec une alimentation par rail EUTRAC.

---

# Basic Assembly

---



INSTRUCTIONS PERTAINING TO A RISK OF FIRE, ELECTRIC SHOCK, EXPOSURE TO EXCESSIVE UV RADIATION, OR INJURY TO PERSONS

## **IMPORTANT SAFETY INSTRUCTIONS**

WARNING - To reduce the risk of FIRE, ELECTRIC SHOCK, EXPOSURE TO EXCESSIVE UV RADIATION, OR INJURY TO PERSONS:

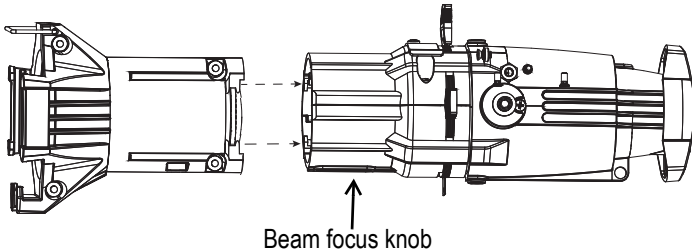
- 1) Do not touch hot lens, guard, or enclosure.
- 2) Do not remain in light if skin feels warm.
- 3) Do not look directly at lighted lamp.
- 4) Keep lamp away from materials that may burn.
- 5) External temperature after 5 minutes of full-brightness operation 50°C (122°F)
- 6) External temperature when steady state is achieved 67°C (152.6°F).

**SAVE THESE INSTRUCTIONS**

# Install Lens Tube

---

A lens tube must be installed prior to use of the Source Four Mini LED. There are four lens tube sizes available; 19°, 26°, 36°, and 50°.



- Step 1: Unscrew the beam focus knob from the loose lens tube.
- Step 2: Slide the lens tube into the shutter barrel.
- Step 3: Install the beam focus knob.

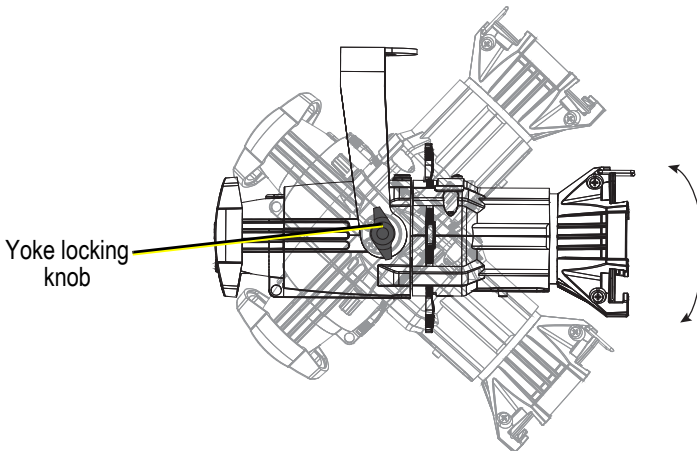
# Adjustments

---

## Adjusting the yoke position

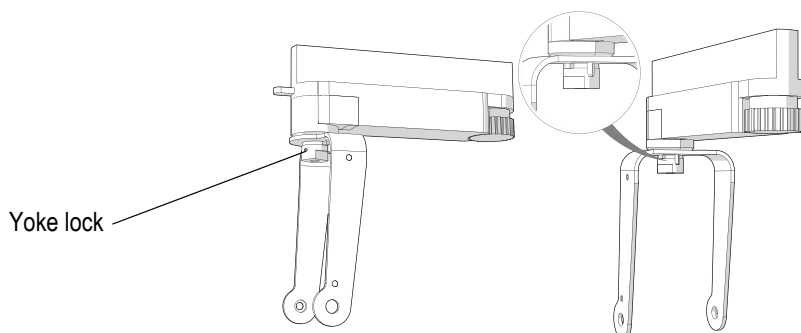
The Source Four Mini LED provides multi-positioning capabilities within its yoke for overall fixture angle.

### Setting the angle with the yoke



- Step 1: Loosen the yoke locking knob. **Do not** remove the knob.
- Step 2: Tilt the fixture to the desired position.
- Step 3: Tighten the yoke locking knob to secure position.

## Locking the rotation in the canopy and track-mount variations

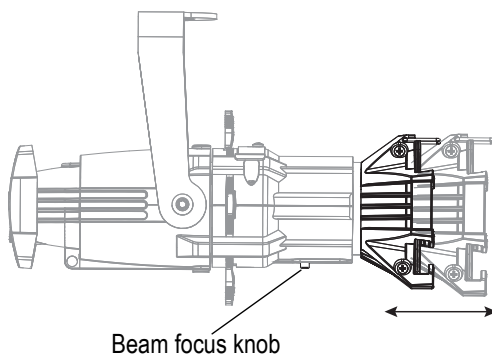


- Step 1: Rotate the fixture into the desired position. Fixture will be prevented from rotating completely around to protect the wiring.
- Step 2: Insert a 1.5mm Allen wrench into the small hole on the yoke lock.
- Step 3: Turn wrench to tighten down the yoke lock.

**Note:** *If installing with LSI (<http://www.lightingservicesinc.com/>) or Global (<http://www.nordicaluminium.fi/en/index.html>) track, please reference the manufacturer's website for installation instructions.*

## Focusing the beam

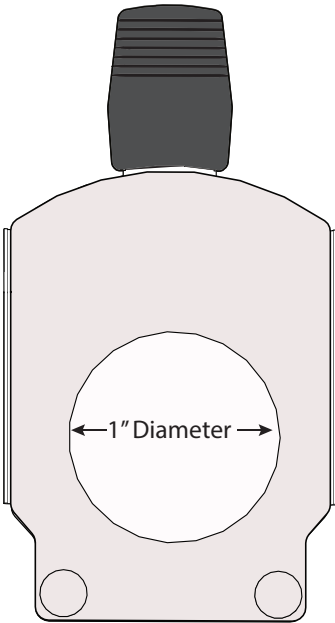
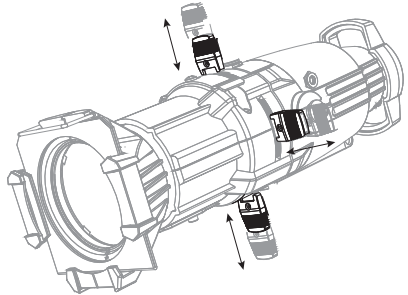
- Step 1: Loosen the beam focus knob located under the barrel. **Do not** remove the knob.
- Step 2: Slide the lens tube forward or backward to achieve the desired beam edge.
- Step 3: Once the fixture is focused, tighten the beam focus knob.



## Shaping the Beam

The beam can be shaped using the four shutters or with a pattern.

The Source Four Mini LED has four shutters: left, right, top, and bottom. Each shutter can be pulled out or pushed in to create the desired beam shape.



### Pattern Projection

The Source Four Mini LED has a pattern holder slot on the top side of the shutter barrel, in front of the shutter. It accommodates a E-size (37.5mm with a 25.4mm image area) pattern holder.

Use an optional donut in the color frame holder to enhance pattern projection.

When the slot is not in use, a small sheet metal cover secured with a Phillips screw prevents light leakage.

- Step 1: Use a Phillips screwdriver to loosen the screw on the slot cover. Do not remove the screw.
- Step 2: Slide the cover completely forward to expose the slot.
- Step 3: Insert the pattern holder.
- Step 4: Slide the slot cover back toward the shutters until it meets the pattern handle. Leave enough space to move the handle.
- Step 5: Secure the slot cover by tightening the screw.

## Color Frame Holder

The Source Four Mini LED comes equipped with a 2 3/4" or 70mm color frame, which is a metal frame used to hold color media (often referred to as gel) in front of the lens. The color frame holder is equipped with a retaining clip that prevents the color frame from falling out.





---

**WARNING:** Make sure the color frame is locked in position with the retaining clip.

---



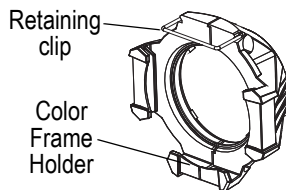
---

**Note:** The color frame should be inserted open side down.

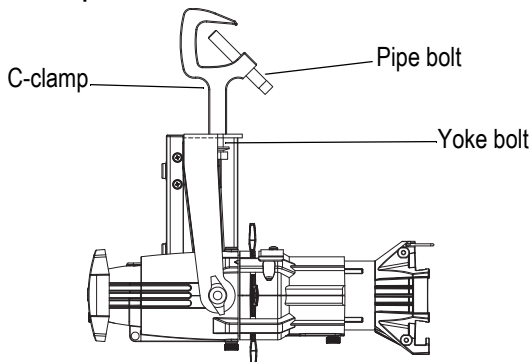
---

- Step 1: Release the retaining clip by gently pushing it up.
- Step 2: Insert the color frame.
- Step 3: Lock the retaining clip by gently pushing it down.

Additional accessories are available for the Mini LED that also fit into the color frame holder. Those accessories are top hat, short top hat, half hat, short half hat, and donut. When an accessory is used, the color frame should be installed in the rear slot of the holder.



### Adjusting the C-clamp on the Portable.



The C-clamp attaches the fixture to the mounting pipe and allows you to adjust the position of the fixture once it is mounted. The C-clamp will fit a 3/8" to 1" pipe.

- Step 1: Tightly fasten the C-clamp to the yoke with the provided yoke bolt and lock washer.
- Step 2: Place the C-clamp on the mounting pipe, and then tighten the pipe bolt to secure it.
- Step 3: Loosen the C-clamp yoke bolt and rotate the yoke to the desired position.
- Step 4: Tighten the bolt to lock the fixture.



---

**CAUTION:** Tighten the C-clamp pipe bolt to about 18in/lbs. (Approximately finger tight plus up to one-quarter turn.) Do not use excessive force.

---



---

**Note:** The Source Four Mini LED yoke has a C-clamp hole with a .406" diameter.

---

# Cleaning the Glass Lens

---



**WARNING:** Do not use ammonia-based or other harsh commercial cleaners. Clean lens only as directed. Commercially available glass cleaning agents should be avoided as they may contain ammonia, other harsh chemical detergents, or abrasive agents. These cleaners may damage the glass surface and the Anti-Reflective coatings. Do not immerse or soak the glass in any cleaning solution.

---

- Step 1: Remove the beam focus knob from the barrel.
- Step 2: Remove the lens tube from the barrel.
- Step 3: Remove dust with a blast of oil-free air or wipe with a clean, lint-free cloth. Isopropyl alcohol, distilled water, or a 50%-50% mixture of each can be used to clean the glass surface.
- Step 4: Slide the lens tube back into the barrel with the color frame retainer clip on the top.
- Step 5: Reinstall the beam focus knob.





**Corporate Headquarters** ■ 3031 Pleasant View Road, P.O. Box 620979, Middleton, Wisconsin 53562-0979 USA ■ Tel +608 831 4116 ■ Fax +608 836 1736  
**London, UK** ■ Unit 26-28, Victoria Industrial Estate, Victoria Road, London W3 6UU, UK ■ Tel +44 (0)20 8896 1000 ■ Fax +44 (0)20 8896 2000  
**Rome, IT** ■ Via Pieve Torina, 48, 00156 Rome, Italy ■ Tel +39 (06) 32 111 683 ■ Fax +44 (0)20 8752 8486  
**Holzkirchen, DE** ■ Ohmstrasse 3, 83607 Holzkirchen, Germany ■ Tel +49 (80 24) 47 00-0 ■ Fax +49 (80 24) 47 00-3 00  
**Hong Kong** ■ Rm 1801, 18/F, Tower 1 Phase 1, Enterprise Square, 9 Sheung Yuet Road, Kowloon Bay, Kowloon, Hong Kong ■ Tel +852 2799 1220  
**Service:** (Americas) [service@etconnect.com](mailto:service@etconnect.com) ■ (UK) [service@etceurope.com](mailto:service@etceurope.com) ■ (DE) [techserv-hoki@etconnect.com](mailto:techserv-hoki@etconnect.com) ■ (Asia) [service@etcasia.com](mailto:service@etcasia.com)  
**Web:** [www.etconnect.com](http://www.etconnect.com) ■ Copyright © 2014 ETC. All Rights Reserved. ■ Product information and specifications subject to change.  
7063M1220 ■ Rev B ■ Released 2014-07 ■ ETC intends this document to be provided in its entirety.