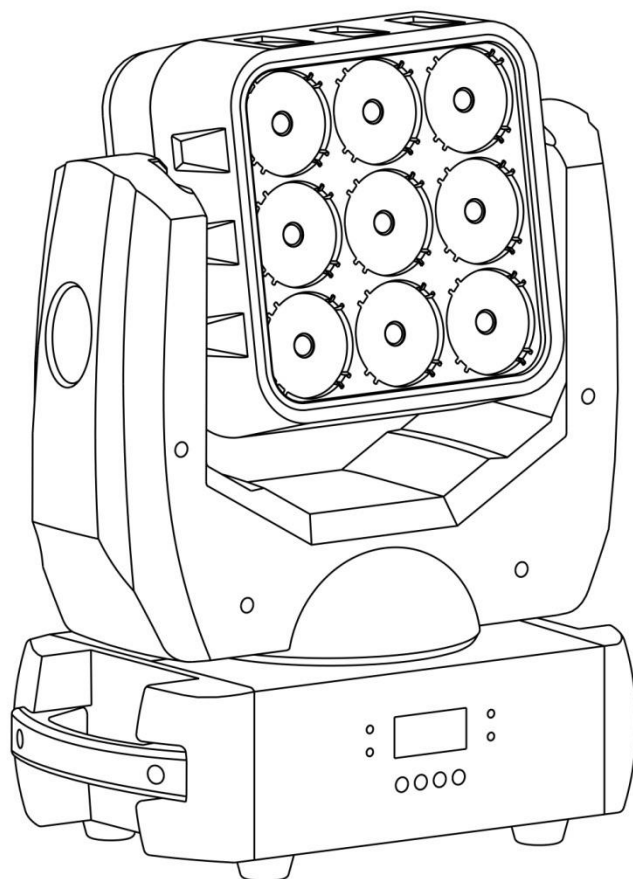




## Led Wash 3X3 Zoom



WEIGHT : 6.0KG

POWER : 180W

COLOR : RGBW

# Content

<b>1.Content.....</b>	<b>02</b>
<b>2. Safety Information. ....</b>	<b>03</b>
<b>3. Parts Introduce. ....</b>	<b>04</b>
<b>4. Fixture Size. ....</b>	<b>04</b>
<b>5. Product Introduce.....</b>	<b>05</b>
<b>6. Control Panel Operate.....</b>	<b>06</b>
<b>7. DMX Control Channel Mode.....</b>	<b>07</b>
<b>8. PCB Driving Board.....</b>	<b>09</b>

## **2. Safety Information**

1. Before installation, please check carefully whether the mechanical fasteners is loose due to transportation, and regular maintenance.

2 .Keep voltage stability, otherwise it's easy to cause led damage.

3 .Before turn on the light, please check whether the voltage is normal, it's not suitable for often switching power supply.

4 . In order to guarantee the lifetime of the product, please keep it dry and ventilated.

5 . It is strictly prohibited to install and remove with power supply. Don't disassemble the light once appear abnormal phenomenon, pls let the professional person to repara.

6 . After checking everything is normal, install the bracket, adjust the Angle, connect the power and ground wires then can connect mains electricity ; After electrify, PC board will automatically self-checking for about 30 seconds, after self-check then can operate.

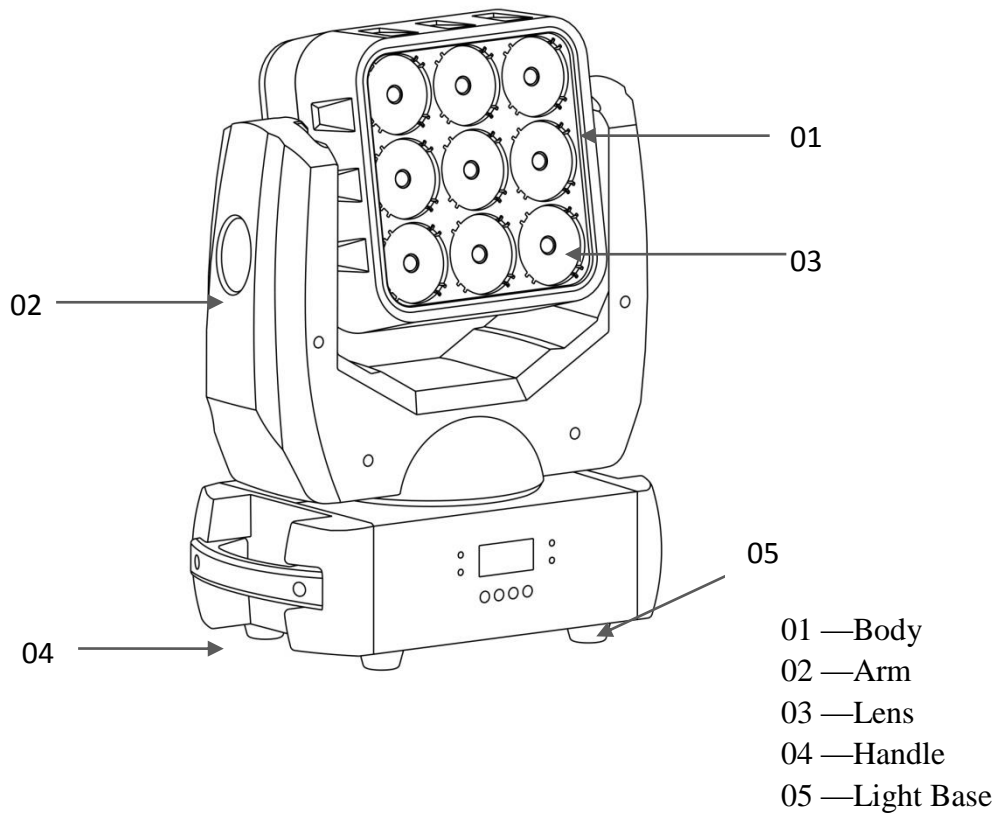
7. Don't look straight into light source in case of damage the eyes.

8 . Please use over 2.0 square wires.

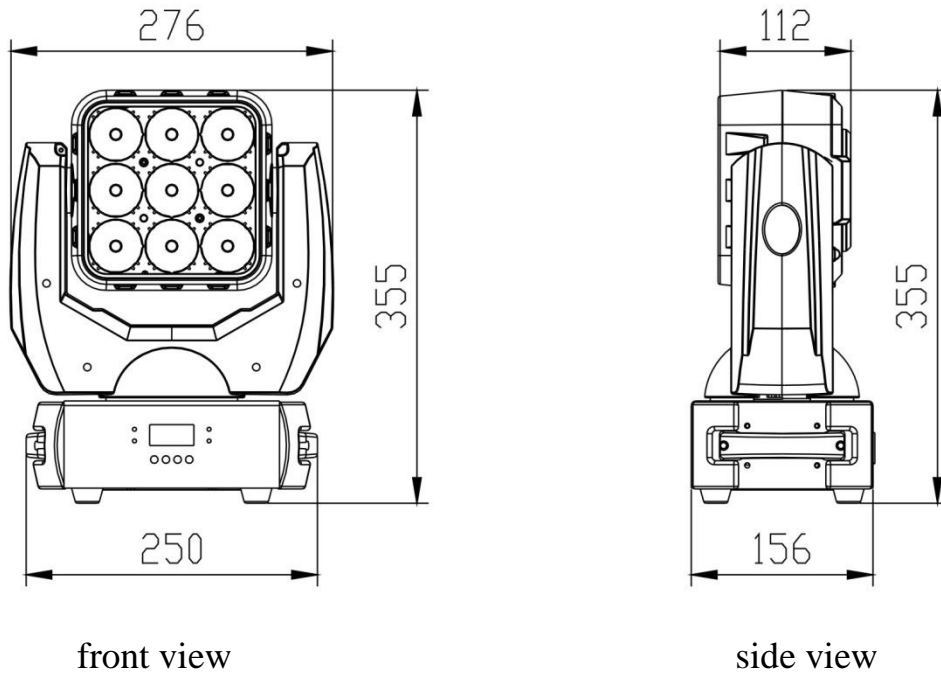
9. Don't put inflammable and explosive articles around fixture 0.5 meters , Please don't touch the light during use.

10. When install or carry the light to do maintenance, please make sure the power supply is disconnected.

## **3. Parts Introduce.**



#### 4. Fixture Size



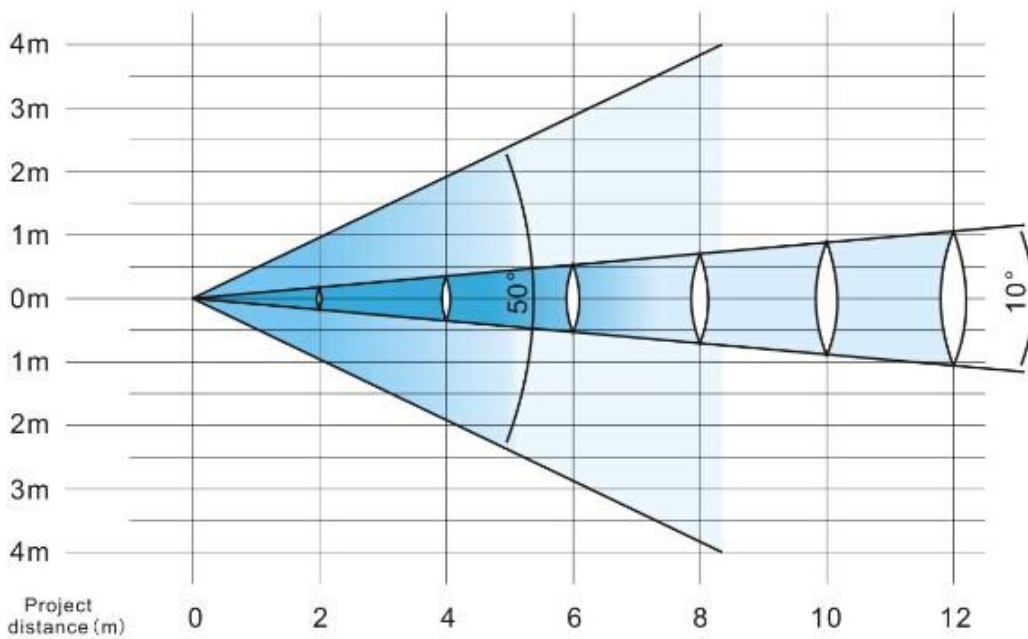
#### 5. Product Introduce

## 1. Specifications

Voltage: Input AC90-240V, Output DC18V,6A ; 24V,2A ;  
 Power : 180W ;  
 Led source : Taiwan Prolight 15W 4 in 1 (R G B W) ;  
 Quantity : 9 leds, Origin : Taiwan ;  
 LED individual control ;  
 Lens : France GAGGIONE lens, Beam/Zoom Angle : 10-50degrees ;  
 Equally : 80-85%, perfect color mixing ;  
 LCD display ;  
 Pan/Tilt: High speed, Low noise, Super quiet focusing motor ;  
 Fixture size:L250xW156xH355mm ;  
 Fixture weight : N.W. : 6.00Kg, G.W. : 7.20Kg

## 2. Lumen

### Luminous diagram



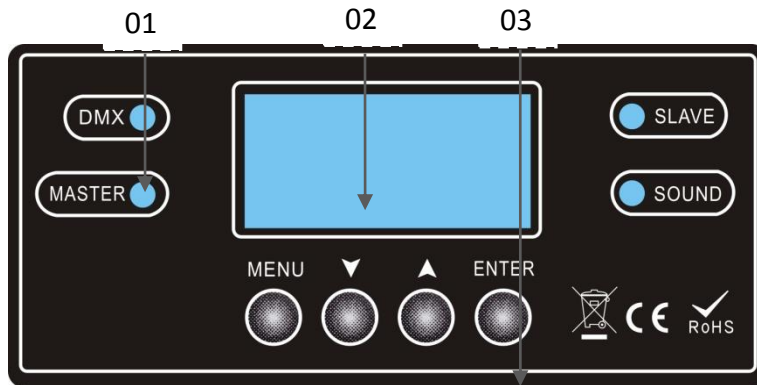
### Lumen

Unit: Lux

DISTANCE	MIX	RED	GREEN	BLUE	WHITE	SPOT SIZE
2m	13000	1790	3500	3900	4560	Φ0.35m
3m	6500	870	1590	1740	2100	Φ0.52m
5m	2300	310	580	630	730	Φ0.88m
6m	1560	230	410	440	515	Φ0.11m
8m	860	114	225	247	285	Φ1.40m

## 6. Control Panel Operate

## 1. Control Panel



- 01 —Indicator light
- 02—Display screen
- 03—Operation keys

## 2. Operator Panel instructions

Menu		Function Setting	Function Description
DmxAddr	Address	001-512	DMX Address number
WorkMod		Dmx512	DMX working mode
		Auto	Autorun mode
		Sound	Sound mode
ChanMod		16CH	16channel mode
		22CH	22 channel mode
		50CH	50 channel mode
Tool	Display	ON	Backlight light on always
		60S	Backlight close after delay 60S
	SundHig	0-16	Sound control sensitivity
PT Sett	Xrevise	0-255	Pan Zero correction
	Yrevise	0-255	Tilt Zero correction
	Frevise	0-255	Focus Zero correction
	Xreverse	YES	Open Xreverse
		NO	Close Xreverse
	Yreverse	YES	Open Yreverse
NO		Close Yreverse	
Info	Version	Vx.xx	Check software version
	RunTime	0000-9999	Fixture run time
Rest		YES	Reset
		NO	Don't reset

## 7. Channel Mode

16CH	22CH	50CH	Function	DMX value	Description
1	1	1	Pan	0-255	0~540degree
2	2	2	Pan unlimited rotation	0-55	Pan rotation stop
				56-155	unlimited clockwise rotation from slow to fast
				156-255	unlimited counterclockwise rotation from slow to fast
	3	3	Pan fine	0-255	16bit adjustable
3	4	4	Tilt	0-255	0~360degree
4	5	5	Tilt unlimited rotation	0-55	Tilt rotation stop
				56-155	unlimited clockwise rotation from slow to fast
				156-255	unlimited counterclockwise rotation from slow to fast
	6	6	Tilt fine	0-255	16bit adjustable
5	7	7	XYspeed	0-255	Fast to slow
6	8	8	Focus	0—255	minimum to the maximum
7	9	9	Master dimmer	0-255	Linear dimmer from dark to bright
8	10	10	Strobe	00-19	Strobe OFF
				20-49	Strobe ON
				50-64	Conventional Strobe Fast-Slow
				65-69	Strobe ON
				70-84	Strobe turn on pulse Fast-Slow
				85-89	Strobe ON
				90-104	Strobe turn off pulse Fast-Slow
				105-109	Strobe ON
				110-124	Random Strobe Fast-Slow
				125-129	Strobe ON
				130-144	Random turn on pulse Fast-Slow
				145-149	Strobe ON
				150-164	Random turn off pulse Fast-Slow
				165-169	Strobe ON
				170-184	Lightnin strobe Fast-Slow
				185-189	Strobe ON
				190-204	Random Lightnin strobe Fast-Slow
205-209	Strobe ON				
210-224	Sine strobe				
225-229	Strobe ON				
230-244	Lightnin 2 strobe Fast-Slow				
245-255	Strobe ON				
9			R1-R9dimming	0-255	LED1-LED9 Red dimming from dark to bright

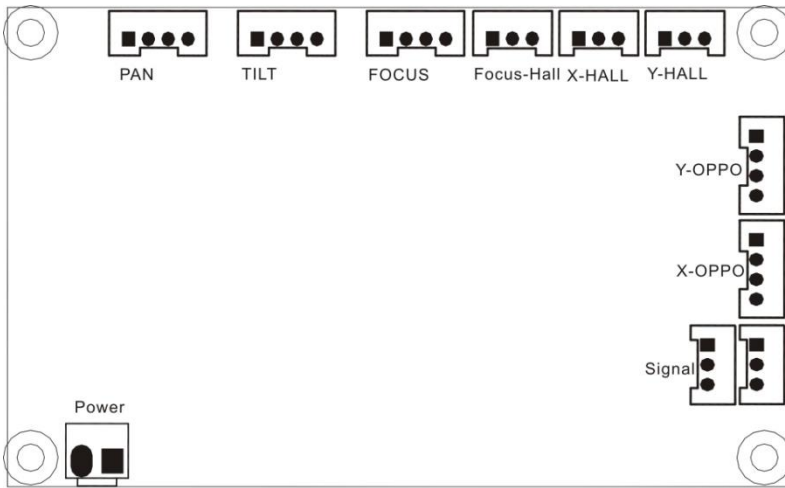
	11	11	R1dimming	0-255	LED1 Red dimming from dark to bright
10			G1-G9dimming	0-255	LED1-LED9 Green dimming from dark to bright
	12	12	G11dimming	0-255	LED1 Green dimming from dark to bright
11			B1-B9dimming	0-255	LED1-LED9 Blue dimming from dark to bright
	13	13	B1dimming	0-255	LED1 Blue dimming from dark to bright
12			W1-W9dimming	0-255	LED1-LED9 White dimming from dark to bright
	14	14	W1dimming	0-255	LED1 White dimming from dark to bright
	15		R2-R9dimming	0-255	LED2 Red dimming from dark to bright
		15	R2dimming	0-255	LED2 Red dimming from dark to bright
	16		G2-G9dimming	0-255	LED2 Green dimming from dark to bright
		16	G2dimming	0-255	LED2 Green dimming from dark to bright
	17		B2-B9dimming	0-255	LED2 Blue dimming from dark to bright
		17	B2dimming	0-255	LED2 Blue dimming from dark to bright
	18		W2-W9dimming	0-255	LED2 White dimming from dark to bright
		18	W2dimming	0-255	LED2 White dimming from dark to bright
		19	R3dimming	0-255	LED3 Red dimming from dark to bright
		20	G3dimming	0-255	LED3 Green dimming from dark to bright
		21	B3dimming	0-255	LED3 Blue dimming from dark to bright
		22	W3dimming	0-255	LED3 White dimming from dark to bright
		23	R4dimming	0-255	LED4 Red dimming from dark to bright
		24	G4dimming	0-255	LED4 Green dimming from dark to bright
		25	B4dimming	0-255	LED4 Blue dimming from dark to bright



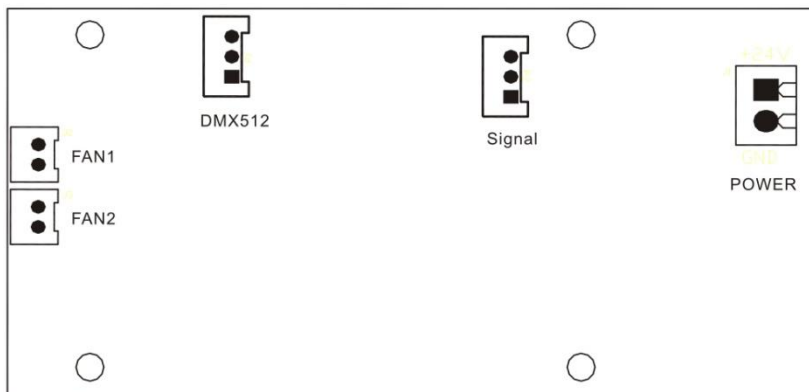
		26	W4dimming	0-255	LED4 White dimming from dark to bright
		27	R5dimming	0-255	LED5 Red dimming from dark to bright
		28	G5dimming	0-255	LED5 Green dimming from dark to bright
		29	B5dimming	0-255	LED5 Blue dimming from dark to bright
		30	W5dimming	0-255	LED5 White dimming from dark to bright
		31	R6dimming	0-255	LED6 Red dimming from dark to bright
		32	G6dimming	0-255	LED6 Green dimming from dark to bright
		33	B6dimming	0-255	LED6 Blue dimming from dark to bright
		34	W6dimming	0-255	LED6 White dimming from dark to bright
		35	R7dimming	0-255	LED7 Red dimming from dark to bright
		36	G7dimming	0-255	LED7 Green dimming from dark to bright
		37	B7dimming	0-255	LED7 Blue dimming from dark to bright
		38	W7dimming	0-255	LED7 White dimming from dark to bright
		39	R8dimming	0-255	LED8 Red dimming from dark to bright
		40	G8dimming	0-255	LED8 Green dimming from dark to bright
		41	B8dimming	0-255	LED8 Blue dimming from dark to bright
		42	W8dimming	0-255	LED8 White dimming from dark to bright
		43	R9dimming	0-255	LED9 Red dimming from dark to bright
		44	G9dimming	0-255	LED9 Green dimming from dark to bright
		45	B9dimming	0-255	LED9 Blue dimming from dark to bright
		46	W9dimming	0-255	LED9 White dimming from dark to bright
13	19	47	The light dynamic	0-4	No function

			effect show	5-24	Built-in effect1
				25-49	Built-in effect2
				50-74	Built-in effect3
				75-99	Built-in effect4
				100-124	Built-in effect5
				125-149	Built-in effect6
				150-174	Built-in effect7
				175-199	Built-in effect8
				200-224	Built-in effect9
				225-255	Built-in effect10
14	20	48	dynamic effect speed	0-255	From slow to fast
15	21	49	Macro	0-49	No function
				50-99	Static effect show (Built-in effect)
				100-149	Dynamic effect show (Built-in effect)
				150-199	Auto Run
				200-255	Sound
16	22	50	Reset	0-250	No function
				251-255	Reset, valid in 3 seconds

### 8. Driver board schematic diagram



**Motor driver board**



**LCD display board**