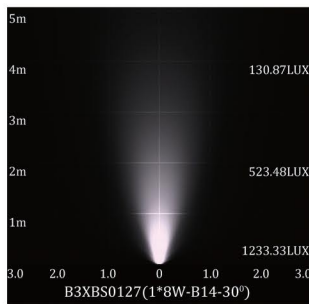
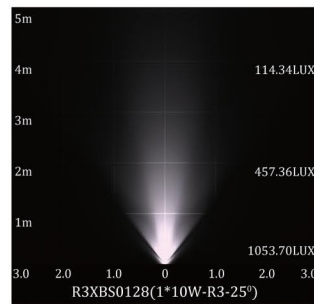


Garden Spot and Flood Light



B3XBS0127
Spot type



B3XBS0128
Flood type

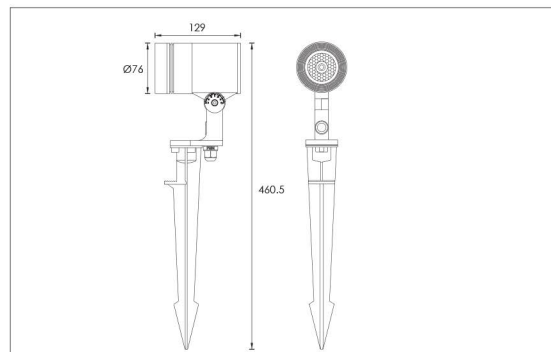
Basic color selection

Sanded Black RAL9005	Silver Resistant Paint RAL9006	Dark Grey PANTONE 432u
COB LED	L0130D050KP 30°	R0115C050XL 15° R0124C050XL 24° R0138C050XL 38° R0160C050XL 60°

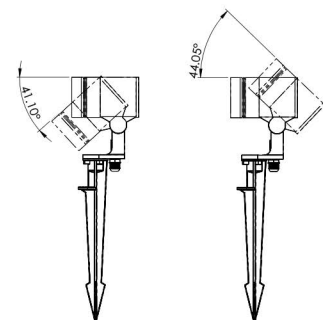
Material specifications

Housing	12# Die-casting dark grey powder coated aluminum. T=60-80µm. Adhesion of ISO class 1/ASTM class 4B
Glass	Tempered glass. T=4mm
LED Driver	Constant Voltage Input, Constant Current Output
Lens	Optical lens, efficiency ≥85%
Operating temperature	-20°C ~ 40°C
Spike	PVC

Unit:mm



Adjustable beam direction



Item	Light source	Reflector	The manufacturer selected lens degree(°)θ1/2	Input voltage(v)	Typical operating current(mA)	Typical consumption(w)	Typical luminance(lm)	IK rate
B3XBS0127	1×8W COB	B14	30°	24V DC 120/240	24V = 411 120V = 88 240V = 50	24V = 9.80 120V = 10.5 240V = 10.8	Cool white=761 Warm white=696	07
R3XBS0128	1×10W COB	R8	24°	24V DC 120/240	24V = 480 120V = 107 240V = 60	24V = 11.5 120V = 12.6 240V = 12.6	Cool white=840 Warm white=824	07