



M-8

Stage Fog Machine

User Manual



English • Français • Deutsch • 中文

© 2015 Antari Lighting and Effects Ltd.



Antari M-8 Stage Fog Machine

Congratulations on the purchase of your new ANTARI FOG MACHINE

Thank you for choosing Antari Fog Machine. You now own a rugged and powerful state-of-the-art machine. Prior to use, we suggest that you carefully read all of the instructions. By following the suggestions found in this user manual, you can look forward to the reliable and satisfactory performance of your ANTARI FOG MACHINE for years to come.

Please follow these operation, safety and maintenance instructions to ensure a long and safe life for your fog machine.

CAUTION

Risk of electric shock. Disconnect the machine from the electric supply before refilling liquid, cleaning or performing maintenance on the machine.

-Danger of Electric Shock

-Keep this device dry.

-Always use 3-prong grounded electrical outlet for all power voltage. Prior to use take care to determine that the unit is installed at the rated voltage.

-Always unplug your ANTARI FOG MACHINE before filling its tank.

-Always keep the fog machine in flat position.

-Turn off or unplug the machine when not in use.

-If moisture, water or fog liquid gets inside the machine, immediately use.

-Turn off or unplug the machine when not in use.

-If moisture, water or fog liquid gets inside the machine, immediately unplug the unit and wipe off and keep it dry.

-No user serviceable parts inside. Refer to your ANTARI dealer or other qualified Service personnel.

Danger of Burns

-Structural modification inside the machine is not allowed at anytime, please do not attempt to modify the machine by removing the cover, other wise burns may result.

-Never leave the unit running unattended.

-Never aim the output nozzle directly at people or animals.

-Fog machine output is very hot. Avoid coming with in 60cm of the output nozzle during operating.

-Locate the fog machine in a well-ventilated area. Never cover the unit's vents. In order to guarantee adequate ventilation, allow a free air space of at least 20 cm around the sides and top of the unit.

-Never aim the output nozzle at open flames.

-The output nozzle becomes very hot during operation (200°C). Keep flammable materials at least 50cm away from the nozzle.

-Always allow your ANTARI FOG MACHINE to cool down before attempting to clean or service it & transporting.

Danger of explosion

- Never add flammable liquids of any kind (such as oil, gas, perfume) to the fog liquid.
- Use only high-quality, water-based fog liquid that your dealer recommends. Other fog liquids may cause clogging or damage to internal parts.

- Always make sure there is sufficient liquid in the tank. Operating this unit without liquid will cause damage to the pump as well as over-heating of the heater. If you ANTARI fog machine fails to work properly, discontinue use immediately. Drain all fog liquid from tank, pack the unit securely (preferably in the original packing material), and return it to your ANTARI dealer for service.
- Always drain tank before mailing or transporting this unit.
- Never drink fog liquid. If it is ingested, call a doctor immediately. If fog liquid comes in contact with skin or eyes, rinse thoroughly with water.

NOTE: Pay attention to all warning labels and instructions printed on the exterior of your ANTARI Fog Machine.

- Open the shipping carton and verify that all equipment necessary to operate the system has arrived intact.
- The shipping carton should contain the following items:
 1. One unit of ANTARI M-8 Fog Machine with power cord.
 2. M-21 multi-function remote control with attached 2 meter cord.
 3. User Manual

If any equipment is missing contact your ANTARI dealer immediately.

Before beginning your initial setup on the ANTARI M-8 Fog Machine, make sure that there is no evident damage caused by transportation. In the event that the unit's housing or cable is damaged, do not plug it in and do not attempt to use it until after contacting your ANTARI dealer for assistance.

Setup

- Remove all packing materials from shipping box. Check that all foam and plastic padding is removed, especially in the nozzle area.
- Place fog machine on a flat surface and remove fog liquid tank cap.
- Fill with high-quality, water-based fog liquid recommended by Antari dealer.
- When filled, place cap back on liquid tank.
- Firmly attach the M-21 control module cable to the connector inside the rear chamber for the machine.

Operation

- Plug power cord into a grounded electrical outlet. Turn the power switch to “ON” on the back of the machine. Warm-up is completed when the display on the control module shows “Ready to Fog”
- To emit fog press the appropriate button on the M-21 control module for fogging duration, interval and volume
- The control unit display will display “Warming up” and “Ready to fog” as the machine re-heats to the proper operating temperature.
- For further information on operating your M-8 Fog Machine, see the section titled “Control Module Operation”
- The limited warranty is based on 8-hour operation per day. Exceeding usage may shorten the lifetime of machines.

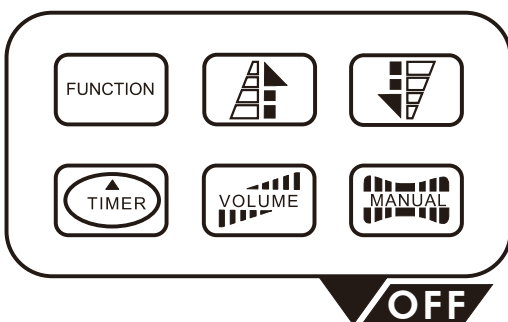
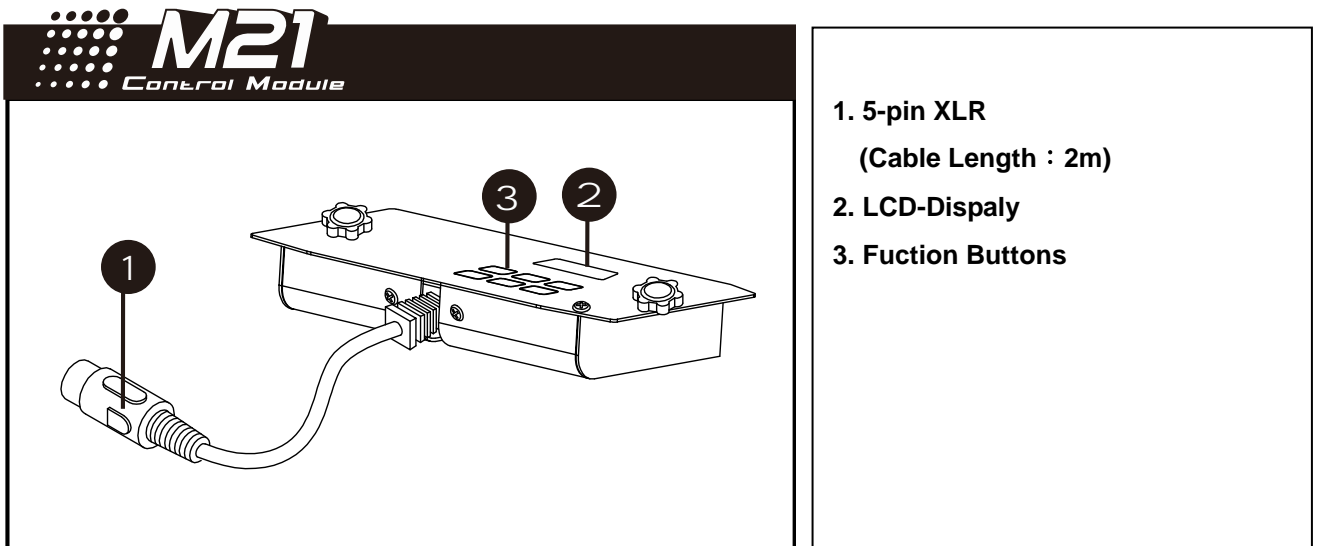
Caution

”Visibility during operation is reduced” This model can be operated at a floor level or sitting on any regular surface. Whatever installation method you choose, do not allow the unit to have more than 35 degree angle of inclination.

Control Module Operation

M-21 Control Remote

The M-21 is a 2 meter wired multi-function remote control with 5-pin XLR connector for ANTARI Fog Machine models M-8 Its interface allows operator to customize fog machine functions by adjusting fogging duration, interval and volume. Its LCD displays current operating parameters, which are automatically stored in non-volatile memory, allowing the machine to be turned off without losing function settings.



- 1. Function-button Sub-menus:
 - Interval Set
 - Duration Set
 - Timer Out
 - Volume Out
 - DMX 512 Add
 - Fluid Sensor
 - Quick Start
- 2. Up / Down button
- 3. Timer button
- 4. Volume button
- 5. Manual (OFF) button

Setting time intervals for timer operation

Press the button FUNCTION until the display indicates »Interval Set«. Use the buttons UP and DOWN to adjust the intervals between the individual fog outputs in timer mode within

the range of 1 and 200 seconds.

Setting the output duration for timer operation

Press the button FUNCTION until the display indicates »Duration Set«. Use the buttons UP and DOWN to adjust the duration of the fog outputs in timer mode within the range of 1 and 200 seconds.

Setting the fog output volume for timer operation

Press the button FUNCTION until the display indicates »Timer Out«. Use the buttons UP and DOWN to choose the fog output volume (at High or Medium or Low) in timer mode.

Setting the fog output volume

Press the button FUNCTION until the display indicates »Volume Out«. Use the buttons UP and DOWN to choose the fog output volume (at High or Medium or Low).

Setting the DMX512 address

Press the FUNCTION until the display indicates »DMX 512 Add.«. Use the buttons UP and DOWN, to set the machine to the same address as on your DMX controller. Please refer to chapter DMX512 settings for more information on DMX operation.

Switching the fluid sensor on and off

Press the button FUNCTION until the display indicates »Fluid Sensor On«. Use the buttons UP and DOWN to deactivate the fluid sensor (indication »Fluid Sensor Off«) and to reactivate it (indication »Fluid Sensor On«).

Switching the Quick Start mode on and off

Press the button FUNCTION until the display indicates »Quick Start On«. Use the buttons UP and DOWN to switch Quick Start mode of machine.

Quick Start mode:

If the “Quick Start” mode is activated, the M-8 will call the operating mode of previous operation when it is turned on. For instance, if the timer was selected last time, the machine will be directed in timer mode after the warm-up process is completed.

-Volume operation

Press the button VOLUME, to activate fog output at setting volume (High or Medium or Low output). The display indicates »Volume« followed by the output that was set in menu item »Volume Out«. To stop the fog output, press the button OFF (MANUAL).

-Manual operation

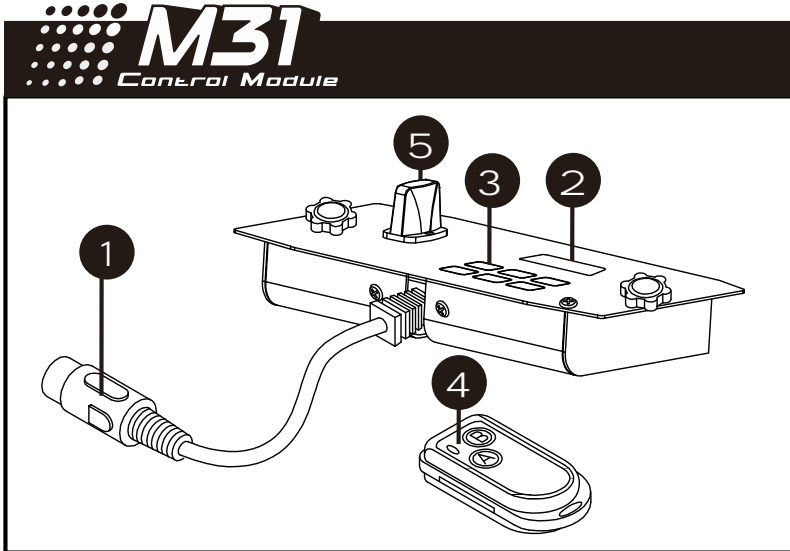
For immediate fog output at the maximum volume of fog, when the LCD screen displays “Ready To Fog”, keep the button MANUAL pressed. The display indicates »Manual 100 %«. The fog machine will always emit the maximum volume of fog when the button MANUAL is pressed. As soon as you release the button, the fog output will stop.

-Timer operation

In the timer mode, the fog machine will automatically emit fog. The time intervals, duration and fog volume depend on the corresponding menu settings. Press the button TIMER, to activate the timer mode. The display indicates the set time interval. The unit counts down to 0 seconds and emits fog. To deactivate the timer mode, press the button OFF (MANUAL).

M-31 Wireless Control Module Operation

The wireless control module M-31 consists of a transmitter equipped with two buttons for fog on and off, and a signal receiver pre-attached to the panel of each M-31.



1. 5-pin XLR
(Cable Length : 2m)
2. LCD-Display
3. Function Buttons
4. Transmitter
5. Receiver

* Transmitter:



With the transmitter it is possible to emit fog via radio over a distance of up to 50 meters. The transmitter is compatible to any receiver of the M-31 and can control an unlimited number of machines in parallel.

Press the button "A", to emit fog. The button "A" has the same function as the button VOLUME on the LCD control panel, i.e. the fog output depends on the setting of menu item »Volume Out«. The display indicates »Volume« (High or Medium or Low output). To stop the fog output, press the button "B".

*** Receiver:**



The receiver is tested and pre-attached to the panel of each M-31. Please do not try to remove it. The receiver responds to up to 5 different transmitters that are registered with the machine. The included transmitter has been registered to the machine before shipping. It can be directly operated without any start-up setting.

-Registering transmitters

To operate the machine with a different transmitter than the included one, or to operate it with up to 5 different transmitters, each transmitter must be registered in advance. For this purpose, turn on the machine. When the display indicates »Wireless Setup«, press the button “A” 1 second on each transmitter. Thus the previous transmitters are cleared from the memory of the receiver. The setting must be completed within 15 seconds after turning on the machine. Then the machine will automatically exit the transmitter setting mode. The display shows »Wireless Setup OK«. At this point, no further transmitter can be added. If no transmitter is registered when the machine is switched on, the memory of the receiver will keep the record of the previous operation.

Setting Example 1:

In order to register several transmitters with a machine, turn on the machine. When the display indicates »Wireless Setup«, press the button “A” 1 second on each transmitter within 15 seconds to establish the signal transmission.

Setting Example 2:

In order to use 1 transmitter to control 2 or more machines, turn on the machines respectively. When the displays indicate »Wireless Setup«, press the button “A” 1 second on the transmitter within 15 seconds to establish the signal transmission.

-Battery change on the transmitter

If the range of the transmitter decreases, the battery is probably exhausted and must be replaced. For this purpose, take off the housing cover and remove the used battery. Insert a fresh DC 12V battery as indicated in the battery compartment and refit the housing cover.

- Note: When warming-up process is completed and wireless function is activated the LCD screen indicates “Ready To Fog W”. (“W” means Wireless) On the contrary, when the wireless function is deactivated the LCD screen shows “Ready To Fog” (Without “W”).


DMX Connector Pin Assignment

The machine provide 3 or 5 pin XLR connector for DMX connection. Diagram below indicate pin assignment information



Pin	Function
1	Ground
2	Data-
3	Data+

ANTARI M-8 ON-BOARD DMX SETTINGS

	192-255 volume / High output
	127-191 volume / Medium output
	32-126 volume / Low output
	0-31 OFF

The M-8 has on-board DMX control. It uses 1 channel to control volume output operation. The channel has a value range of 0 to 255.

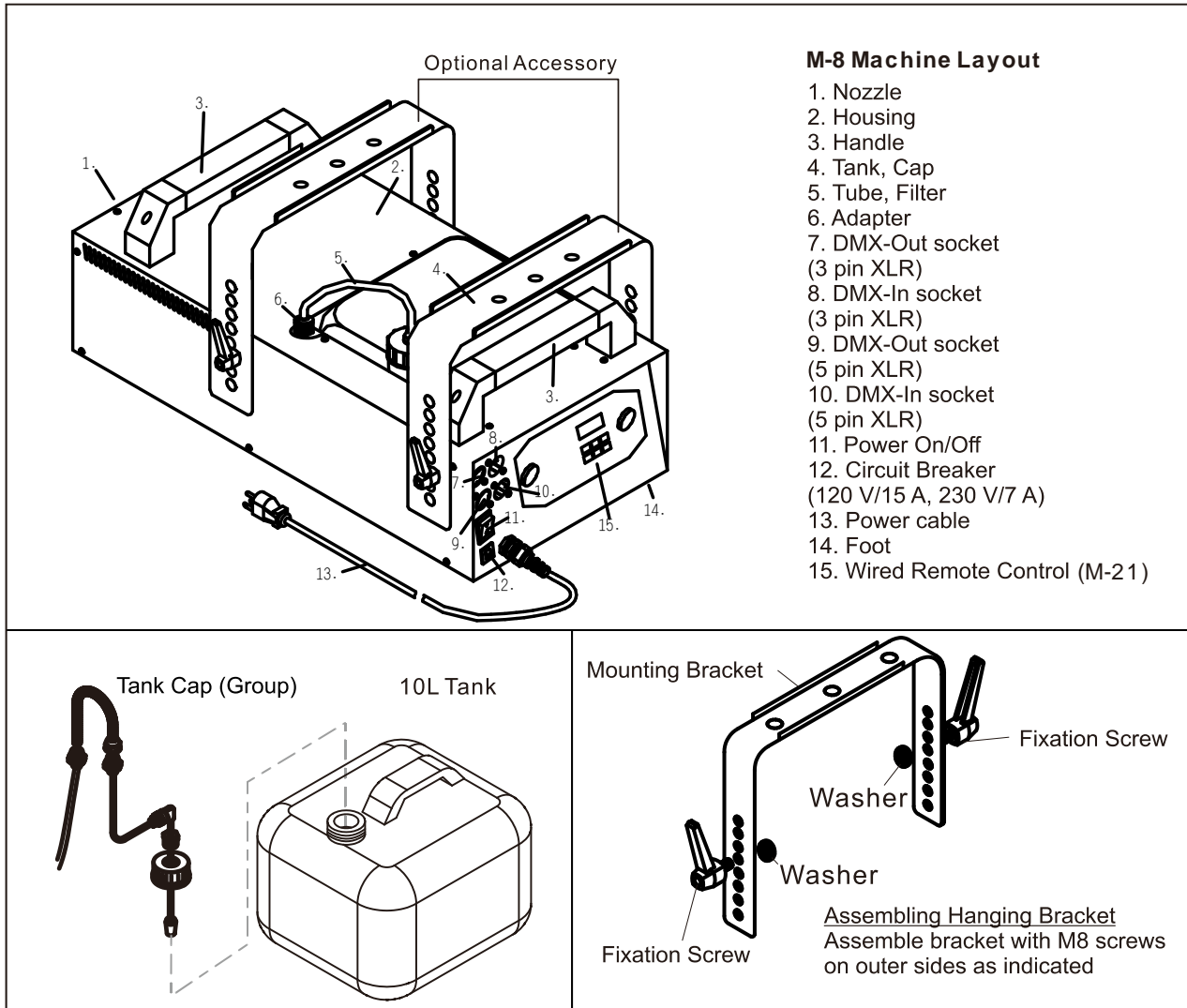
When the channel has a value between 0 and 31, the unit is OFF.

When the channel has a value between 32 and 126, the volume is at Low output.

When the channel has a value between 127 and 191, the volume is at Medium output.

When the channel has a value between 192 and 255, the volume is at High output.

M-8 Description



If you experience low output, pump noisily or no output at all, unplug immediately. Check fluid level, the fuse, remote control connection and mains power. If all of the above appears to be O.K., plug the unit and try again. If fog still can not be produced, check the hose attached to the tank to make sure there is fluid going through the hose. If you are unable to determine the cause of the problem, do not continue pushing the buttons on controller, as this may damage the unit. Return the machine to your Antari dealer.

Technical Specifications

MODEL	M-8
Power Supply	100~230V AC, 50/60 Hz~
Power Consumption	1800W
Output Volume	1,400m ³ /min
Tank Capacity	10 liters
Fluid Consumption	7 min / Liter
Weight	22.5 kg
Dimensions(LxWxH)	668x319x170 mm
Remote Included	M-21
Optional Remote	M-31
Warm-Up Time	8 min

Performance Note

All fog machines develop condensation around the output nozzle. This may result in some moisture accumulation on the surface below the output nozzle, gently wipe it clean. In order to give the best performance and longest life-span of fog machines, please use high quality fog fluids which Antari or the authorized distributor's recommends.

Maintenance / Storage

Do not allow the fog fluids to become contaminated. Always replace the cap on the fog liquid container and the fog machine liquid tank immediately after refilling. Cleaning your fog machine regularly can help you to reduce the frequency of parts replacement and maintenance costs. After every 40 hours of continuous operation, it is recommended to use distilled water to clean the heater according to the steps below.

The recommended cleaning steps is as followings:

1. Fill properly distilled water into a clean tank and connect the fluid tube of the fog machine

to the tank.

2. Run the unit in a well-ventilated area until the tank is almost empty.
3. Use dry cloth to wipe the fog machine. Cleaning is now completed. Refill with fog liquid.

Run the machine briefly to clear any remaining liquid from the pump and heater.

Note: All fog machines are prone to clogging due to the thick consistency of fog liquid and the high temperature at which it vaporizes. However, a properly maintained fog machine should provide years of reliable use.

Clean with a dry cloth only. Store dry.

If the fog machine is not in use, please clean it before storage. Store the fog machine in a dry and cool place. Operate the fog machine at least once a month. A test-run consists of warming-up the machine followed by a few minutes of fog emission.

Please read and save these instructions.



Machine à fume Antari M-8

Nous vous félicitons pour l'achat de votre nouvelle machine à fumée ANTARI.

Nous vous remercions d'avoir choisi une machine à fumée ANTARI. Vous êtes en possession d'un produit robuste et puissant. En vue d'utiliser correctement votre nouvel appareil, veuillez lire attentivement ce mode d'emploi. Si vous respectez les instructions suivantes, vous profiterez d'une performance solide et convaincante de votre machine à fumée ANTARI pour de nombreuses années.

Pour assurer la longévité et le bon fonctionnement de votre machine à fumée, veuillez lire attentivement les instructions suivantes concernant le maniement, la sécurité et l'entretien.

ATTENTION

Risque de décharge électrique. Démontez l'approvisionnement électrique de l'appareil avant de remplissage de liquide, nettoyage ou d'entretien sur la machine.

- Risque de décharge électrique
- Protéger de l'humidité.
- Utilisez uniquement des prises de courant à terre à 3 broches. Avant la mise en marche, il faut prendre soin ddéterminer que l'appareil est installé à la tension nominale.
- Débranchez l'appareil avant de remplir le réservoir.
- Assurez vous d'installer la machine à fumée toujours droit.
- Eteignez l'appareil ou débranchez-le du secteur, quand il est hors d'usage.

- Si de l'humidité, du liquide ou du liquide à fumée devait pénétrer à l'intérieur de l'appareil, débranchez-le immédiatement et contactez un technicien ou votre revendeur ANTARI avant de le réutiliser.
- Eteignez l'appareil ou débranchez-le du secteur, quand il est hors d'usage.
- Si de l'humidité, de l'eau ou de brouillard liquide pénètre à l'intérieur de la machine, débranchez immédiatement l'appareil et essuyez et séchez l'appareil.
- Pas réparable par l'utilisateur. Reportez-vous à votre revendeur ANTARI ou au personnel qualifié.

Danger d'incendie

- L'modification structurale à l'intérieur de la machine n'est pas autorisée à tout moment, ne pas essayer de modifier la machine en enlevant le couvercle, d'autres incendies peuvent en résulter.
- Ne jamais faire marcher sans surveillance.
- Ne jamais braquer le bec de l'appareil directement sur des personnes ou des animaux.
- Le débit de la machine à fumée est très chaud. Pendant que la machine est en marche, respectez une distance d'environ 60 cm vis-à-vis son bec.
- Repérez la machine à fumée dans une zone bien ventilée. Ne couvrez jamais les fentes d'aération de l'unité. Pour garantir une aération suffisante, laissez un espace libre de 20 cm tout autour de l'appareil.
- Ne jamais braquer le bec de la machine sur des flammes.
- Le bec de la machine devient très chaud (200° C) pendant son fonctionnement. Respectez une distance minimum de 50 cm entre le bec de la machine et les matériaux inflammables.
- Laissez refroidir la machine à fumée avant de le nettoyer ou entretenir & transport.

Danger d'explosion

- Ne jamais mélanger les liquides inflammables de toute nature (par exemple, le pétrole, le gaz, le parfum) et le liquide à fumée.
- Employez uniquement des liquides à fumée de haute qualité à base d'eau recommandées par votre revendeur. D'autres liquides à fumée pourraient causer l'obstruction ou l'endommager des pièces internes.
- Faites attention qu'il y ait toujours suffisamment de liquide à fumée dans le réservoir. Un emploi sans liquide pourrait endommager la pompe ou provoquer la surchauffe de l'élément de chauffage. Si votre machine à fumée ANTARI ne devait plus fonctionner correctement, éteignez-le immédiatement. Videz complètement le réservoir, emballez le soigneusement (au mieux dans son emballage d'origine) et l'envoyez-le à votre revendeur ANTARI.
- Vider toujours le réservoir avant d'envoyer ou transporter l'appareil.
- Ne jamais avaler le liquide à fumée. Si c'était tout de même le cas, consultez un médecin immédiatement. En cas de contact avec la peau ou les yeux, rincer à grande eau.

Remarque: Veuillez suivre toute instruction de sécurité appliquée sur le boîtier de votre machine à fumée ANTARI.

- Ouvrez le carton d'emballage et vérifiez que tous les équipements nécessaires au fonctionnement du système sont arrivés sans dommage.
- Le carton d'expédition doit contenir les éléments suivants:
 1. Une unité de Machine à fumée ANTARI M-8 avec cordon d'alimentation.
 2. M-21 télécommande de multifonctions avec 2 cordons mètres ci-joints.
 3. Mode d'emploi

Si l'équipement est absent, contactez immédiatement votre revendeur ANTARI.

Avant de commencer votre installation initiale sur la machine à fumée ANTARI M-8, assurez-vous que :

Il n'y a pas de dommages évidents causés par le transport. Dans le cas où le boîtier ou le câble de l'appareil est endommagé, ne pas brancher et ne pas essayer de l'utiliser jusqu'à contacter votre revendeur ANTARI pour l'aide.

Installation

- Enlevez tout matériau d'emballage à partir du carton d'expédition. Assurez-vous d'avoir enlevé toute la mousse et le rembourrage en plastique, surtout au bec de la machine.
- Placez la machine à fumée sur une surface plane et dévissez le couvercle du réservoir du liquide à fumée.
- Remplissez le réservoir avec le liquide à fumée de haute qualité à base d'eau recommandé par le revendeur Antari.
- Lorsqu'il est rempli, remettez le couvercle sur le réservoir de liquide.
- Attachez solidement le câble du module de contrôle M-21 au connecteur à l'intérieur de la chambre arrière de la machine.

Maniement

- Branchez la fiche d'alimentation de la machine à fumée dans une prise de courant avec terre. Mettez le commutateur d'alimentation à l'arrière de l'appareil en mode "ON". Le temps de préchauffage est terminé lorsque l'afficheur sur le module de commande affiche "Ready to Fog".
- Pour émettre la fumée en appuyant sur la touche approprié dans le module de contrôle M-21 pour la formation de buée durée, l'intervalle et le volume
- L'afficheur de l'unité de contrôle affiche "Warming up" et "Ready to Fog" chaque fois

que la machine réchauffe à la température de fonctionnement.

- Pour des Informations complémentaires concernant le maniement de votre machine à Fumée ANTARI, voir la partie intitulée "Maniement avec télécommande".
- La garantie limitée est basée sur une utilisation de 8 heures par jour, le dépassement d'usage peut raccourcir la durée de vie des machines.

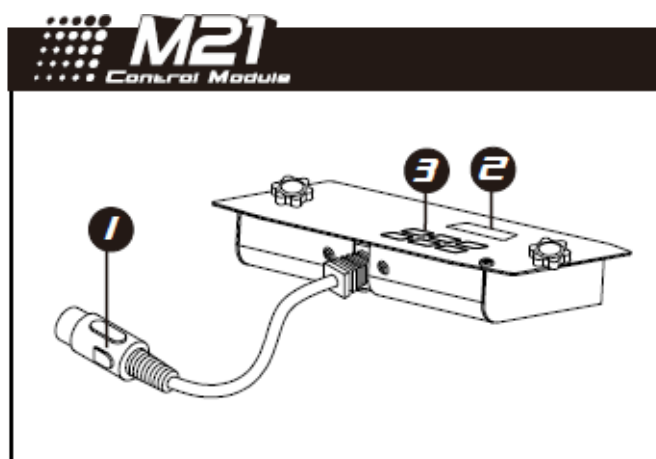
Attention

«La visibilité est réduite pendant le fonctionnement » Ce modèle peut être utilisé au niveau du sol ou assis sur une surface régulière. Quelle que soit la méthode d'installation que vous choisissiez, ne laissez pas l'appareil à avoir plus de 35 degrés d'angle d'inclinaison.

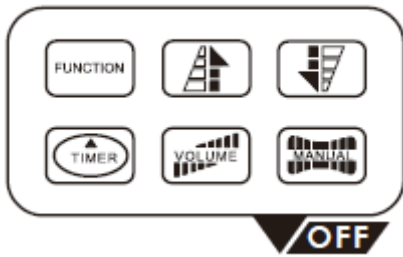
Maniement avec télécommande

M-21 Télécommande

Le M-21 est un télécommande de multifonctions reliée à un cordon de 2 avec un connecteur XLR 5 pôles pour connecter au modèle de Machines à Fumée ANTARI M-8, son interface permet à l'opérateur de personnaliser les fonctions de la machine à fumée en ajustant la durée buée, l'intervalle et volume. Son afficheur LCD affiche actuellement les paramètres de fonctionnement, qui sont automatiquement stockés dans la mémoire non volatile, permettant à la machine d'être éteint sans perdre les paramètres de fonction.



1. XLR 5 pôles
(Longueur de câble: 2m)
2. Afficheur LCD
3. Touches d'opération



1. **Sous-menus des touches de fonction:**
 - Interval Set
 - Duration Set
 - Timer Out
 - Volume Out
 - DMX 512 Add
 - Fluid Sensor
 - Quick Start
2. **Touche Up/ Down**
3. **Touche Timer**
4. **Touche Volume**
5. **Touche Manuel (OFF)**

Réglage des intervalles de temps pour le fonctionnement de compte-temps

Appuyez sur la touche FUNCTION jusqu'à ce que l'afficheur indique "Interval Set" .Utilisez les touches UP/DOWN pour ajuster les intervalles de temps entre 1 et 200 secondes.

Réglage de la durée de sortie pour le fonctionnement de compte-temps

Appuyez sur la touche FUNCTION jusqu'à ce que l'afficheur indique "Duration Set" .Utilisez les touches UP/DOWN pour ajuster la durée entre 1 et 200 secondes.

Régler le débit de fumée pour le fonctionnement de compte-temps

Appuyez sur la touche FUNCTION jusqu'à ce que l'afficheur indique "Timer Out". Utilisez les touches UP/DOWN pour ajuster le débit de fumée (haut ou moyen ou faible) dans le mode de compte-temps.

Régler le débit de fumée

Appuyez sur la touche FUNCTION jusqu'à ce que l'afficheur indique "Volume Out". Utilisez les touches UP/DOWN pour ajuster le débit de fumée (haut ou moyen ou faible).

Réglage de l'adresse DMX 512

Appuyez sur la touche FUNCTION jusqu'à ce que l'afficheur indique "DMX 512 Add".

Utilisez les touches UP/DOWN pour régler la machine pour la même adresse que sur votre contrôleur DMX. Veuillez vous référer aux paramètres chapitre DMX512 pour plus d'informations sur le fonctionnement DMX.

Commutation du capteur de fluide

Appuyez sur la touche FUNCTION jusqu'à ce que l'afficheur indique "Fluid Sensor On".

Utilisez les touches UP/DOWN pour désactiver le capteur de fluide (indication "Fluid Sensor Off") et pour le réactiver (indication "Fluid Sensor On")

Commutation du démarrage rapide

Appuyez sur la touche FUNCTION jusqu'à ce que l'afficheur indique " Quick Start On ".

Utilisez les touches UP/DOWN pour passer en mode de démarrage rapide de la machine.

Mode de Démarrage Rapide :

Si le mode "Quick Start" est activée, le M-8 appellera le mode de fonctionnement précédent opération quand il est allumé. Par exemple, si le temps a été sélectionné la dernière fois, la machine sera réalisé en mode de compte-temps après le processus d'échauffement est terminé.

- Opération du volume

Appuyez sur la touche VOLUME pour activer le jet de fumée en réglant du débit (haut ou moyen ou faible). L'afficheur indique "Volume" suivie par le débit qui a été mis au point de menu "Volume Out". Pour arrêter la sortie de fumée, appuyez sur la touche OFF (MANUEL).

- **Opération manuelle**

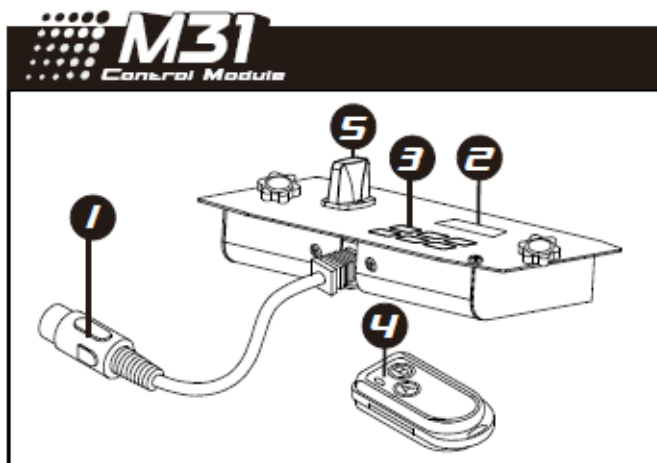
Pour déclencher immédiatement le jet de fumée avec un volume de 100%, lorsque l'afficheur indique "Ready To Fog", maintenez la touche MANUAL. L'afficheur indique "Manuel 100%". La machine à fumée émettra toujours le volume maximal de fumée lorsque la touche MANUEL est enfoncée. Dès que vous relâchez la touche, le jet de fumée s'arrête.

- **Opération de compte-temps**

Dans le mode de compte-temps, la machine à fumée émet automatiquement la fumée. Les intervalles de temps, la durée et le volume de fumée dépendent des paramètres du menu correspondant. Appuyez sur la touche TIMER pour activer le mode de compte-temps. L'afficheur indique l'intervalle de temps défini. L'unité de compte à rebours à 0 secondes et émet la fumée. Pour désactiver le mode de compte-temps, appuyez sur la touche OFF (MANUEL).

Maniement sans fil M-31

Le module de commande sans fil M-31 se compose d'un transmetteur équipé de deux touches pour jeter et arrêter la fumée, et un récepteur de signaux attaché au panneau de chaque M-31.



1. XLR 5 pôles
(Longueur de câble:
2m)
2. Afficheur LCD
3. Touches d'opération
4. Transmetteur
5. Récepteur

Transmetteur :



Avec le transmetteur, il est possible d'émettre la fumée par radio sur une distance jusqu'à 50 mètres. Le transmetteur est compatible avec n'importe quel récepteur du M-31 et peut commander un nombre illimité de machines en parallèle.

Appuyez sur la touche "A" pour émettre la fumée. La touche "A" a la même fonction que la touche VOLUME sur le panneau de contrôle LCD, c'est-à-dire, le jet de fumée dépend du réglage du menu "Volume Out". L'afficheur indique "Volume" (haut ou moyen ou faible). Pour arrêter le jet de fumée, appuyez sur la touche "B".

Récepteur :



Le récepteur est testé et préfixée au panneau de chaque M-31. Ne pas essayer de l'enlever. Le récepteur répond à jusqu'à 5 différents transmetteurs qui sont enregistrés sur la machine.

Le transmetteur inclus a été enregistré à la machine avant l'expédition. Il peut être directement fonctionné sans aucun réglage de démarrage.

-Enregistrement des transmetteurs

Pour faire fonctionner la machine avec un autre transmetteur, ou le faire fonctionner avec un maximum de 5 transmetteurs différents, chaque transmetteur doit être enregistré à l'avance. Alors, démarrer la machine. Lorsque l'afficheur indique "Wireless Setup", appuyez sur la touche "A" pendant 1 seconde de chaque transmetteur. Ainsi, les transmetteurs précédents sont effacés à partir de la mémoire du récepteur. Le réglage doit être effectué dans les 15 secondes après avoir démarré la machine. Ensuite, la machine quitte automatiquement le mode de réglage du transmetteur. L'afficheur indique "Wireless Setup OK". À ce stade, aucun autre transmetteur ne peut être ajouté. Si aucun transmetteur n'est enregistré lorsque la machine est en marche, la mémoire du récepteur permet de garder la trace de l'opération précédente.

Exemple de réglage 1:

Pour vous inscrire plusieurs transmetteurs avec une machine, démarrer la machine. Lorsque l'afficheur indique "Wireless Setup", appuyez sur la touche "A" pendant 1 seconde de chaque transmetteur dans les 15 secondes pour établir la transmission du signal.

Exemple de réglage 2:

Pour utiliser 1 émetteur pour commander 2 ou plusieurs machines, démarrer respectivement les machines. Lorsque les affichages indiquent "Wireless Setup", appuyez sur la touche "A" pendant 1 seconde sur le transmetteur dans les 15 secondes pour établir la transmission du signal.


- Changement de batterie sur le transmetteur

Si la portée du transmetteur est faible, la batterie est probablement épuisée et doit être remplacée. A cet effet, enlever le couvercle du boîtier et enlevez la batterie usée. Insérer une nouvelle batterie 12V DC dans le compartiment de batterie et replacer le couvercle du boîtier.

- Note: Lorsque l'échauffement est terminée et la fonction sans fil est activée, l'afficheur LCD indique "Ready To Fog W". ("W" signifie sans fil). Au contraire, lorsque la fonction sans fil est désactivée, l'afficheur LCD affiche "Ready To Fog" (sans "W").

Opération du réglage de contrôle DMX

ANTARI M-8 REGLAGES DMX

	192-255 volume / Faible débit
	127-191 volume / Moyen débit
	192-255 volume / Haut débit
	0-31 Arrêt

Le M-8 a le contrôle embarqué DMX. Il utilise 1 canal pour contrôler le fonctionnement le débit de volume. Le canal a une plage de valeurs de 0 à 255.

Lorsque le canal a une valeur comprise entre 0 et 31, l'appareil est éteint.

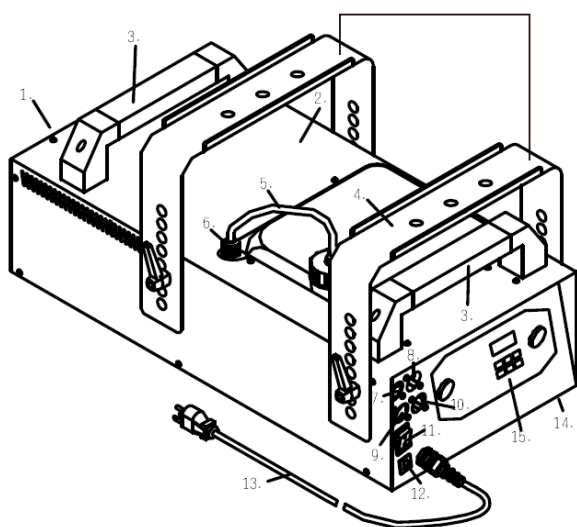
Lorsque le canal a une valeur comprise entre 32 et 126, le volume est à Faible débit.

Lorsque le canal a une valeur comprise entre 127 et 191, le volume est à Moyen débit.

Lorsque le canal a une valeur comprise entre 192 et 255, le volume est à Haut débit.

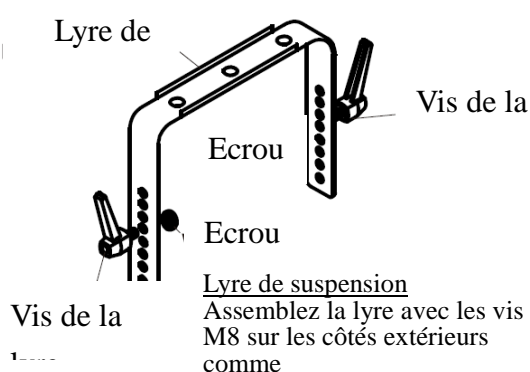
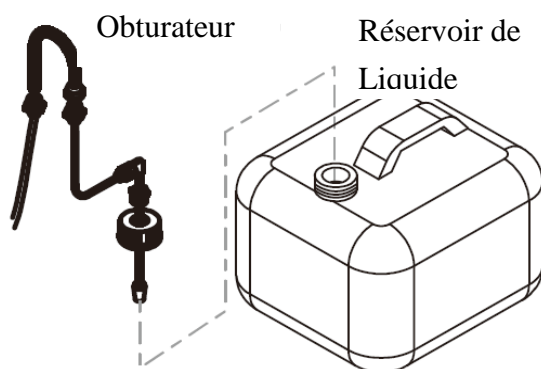
M-8 Description

Accessoire optionnel



M-8 Description

1. Tuyère
2. Boîtier
3. Bras
4. Réservoir, Obturateur
5. Tuyau, Filtre
6. Adaptateur
7. Sortie DMX (XLR 3 pôles)
8. Entrée DMX (XLR 3 pôles)
9. Sortie DMX (XLR 5 pôles)
10. Entrée DMX (XLR 5 pôles)
11. Interrupteur secteur
12. Coupe-circuit
(120 V/15 A, 230 V/7A)
13. Câble d'alimentation
14. Pied
15. Télécommande (M-21)



Si vous constatez un débit trop faible, un bruit de la pompe ou un manque total de fumée, débranchez immédiatement votre machine. Vérifier le niveau de liquide, le fusible, le raccordement de la télécommande et l'alimentation secteur. Si tout apparaît être correct, branchez l'appareil et essayez de nouveau. Si la fumée ne peut pas être produite, vérifiez si le liquide passe par le disperseur qui est attaché au réservoir. Si vous n'arrivez pas à déterminer la cause du problème, ne pas continuer à pousser les boutons de la

télécommande, car cela pourrait endommager votre machine. Retournez la machine à votre revendeur Antari.

Caractéristiques Techniques

Modèle	M-8
Alimentation	100~230VAC 50/60 Hz-
Puissance de rendement	1800 W
Volume d'émission	1,400m ³ /min
Contenu de réservoir	10 litres
Consommation de liquide	7 min./ litre
Poids	15 kg
Dimensions (LxlxH)	668x319x170 mm
Télécommande inclus	M-21
Télécommande optionnel	M-31
Temps de chauffage	8 min.

Remarque de fonctionnement

Toutes les machines à fumée dégagent une condensation autour de son bec de sortie. Cela peut mener à une accumulation d'humidité sur la surface en dessous du bec de sortie, essuyez-les doucement pour bien nettoyer. Afin de donner les meilleures performances et la plus longue durée de vie des machines à fumée, utilisez les hautes qualités des fluides de fumée recommandés par Antari ou le distributeur autorisé.

Maintien / Entreposage

Faites toujours attention de ne pas polluer le liquide à fumée. Après l'avoir rempli de liquide à fumée, refermez toujours immédiatement les couvercles du bidon de liquide et du réservoir de la machine. Le nettoyage régulier de votre machine à fumée aidera à éviter les réparations ou le remplacement de parties. Après toutes les 40 heures de fonctionnement

continu, il est recommandé d'utiliser de l'eau distillée pour nettoyer l'appareil en suivant les étapes ci-dessous.

Les étapes de nettoyage recommandée est comme suit:

1. Remplir correctement l'eau distillée dans un réservoir propre et connecter le tuyau de fluide de la machine à fumée vers le réservoir.
2. Faire fonctionner l'appareil dans un endroit bien aéré jusqu'à ce que le réservoir soit presque vide.
3. Utiliser un chiffon sec pour nettoyer la machine à fumée. Le nettoyage est maintenant terminé. Remplir avec le liquide de fumée. Faire fonctionner la machine lentement pour effacer le liquide restant de la pompe et radiateur.

Note: Dû à la consistance visqueuse du liquide à fumée et à la haute température avec laquelle la fumée s'évapore, toutes les machines à fumée ont tendance à encrasser. Toutefois, une machine à fumée bien entretenu devrait fournir plus longue et plus fiable durée de vie.

Nettoyer avec un chiffon sec. Stocker dans un endroit sec.

Si la machine à fumée n'est pas en cours d'utilisation, nettoyez avant de le stocker.

Conservez la machine à fumée dans un endroit frais et sec. Faites fonctionner la machine à fumée au moins une fois par mois. Une phase d'essai se compose d'échauffement de la machine, suivie par quelques minutes d'émission de fumée.

Lisez et conserver ces instructions, s'il vous plaît.



Antari M-8 Nebelmaschine

Vielen Dank, dass Sie sich für die ANTARI M-8 Nebelmaschine entschieden haben. Sie sind nun im Besitz eines robusten und leistungsstarken Nebelgerätes. Vor Benutzung des Gerätes bitte unbedingt diese Bedienungsanleitung sorgfältig lesen. Wenn Sie die Hinweise in dieser Bedienungsanleitung beachten, können Sie sich in den nächsten Jahren auf eine zuverlässige und überzeugende Leistung Ihrer ANTARI Nebelmaschine freuen.

Bitte beachten Sie die folgenden Hinweise in Bezug auf Bedienung, Sicherheit und Wartung, um eine lange Lebensdauer und einen sicheren Betrieb Ihres Nebelgeräts sicherzustellen.

• Stromschlaggefahr

- ◆ Vor Nässe schützen.
- ◆ Nur innerhalb geschlossener Räume betreiben. Nicht für den Betrieb im Freien geeignet.
- ◆ Für 110-V-Modelle verwenden Sie bitte ausschließlich 3-adrige, geerdete Steckdosen. Vor Inbetriebnahme darauf achten, dass das Gerät an die richtige Spannung angeschlossen wird.
- ◆ Vor Befüllen des Tanks ist Ihr ANTARI Nebelgerät immer vom Netz zu trennen.
- ◆ Achten Sie darauf, dass das Nebelgerät stets aufrecht installiert ist.
- ◆ Wird das Gerät außer Betrieb genommen, ist das Gerät auszuschalten oder vom Netz zu trennen.
- ◆ Dieses Gerät ist nicht wasser- oder spritzwassergeschützt. Sollte Feuchtigkeit, Flüssigkeit oder Nebelfluid in das Geräteinnere eindringen, trennen Sie bitte das Nebelgerät sofort vom Netz und verständigen Sie einen Servicetechniker oder Ihren ANTARI-Händler, bevor Sie das Gerät wieder in Betrieb nehmen.

- ◆ Keine zu wartenden Teile im Geräteinnern. Wartungsarbeiten sind nur vom Ihrem ANTARI-Händler oder qualifizierten Servicetechnikern durchzuführen.

• Brandgefahr

- ◆ Nur für Erwachsene. Das Nebelgerät muss außerhalb der Reichweite von Kindern installiert werden. Betreiben Sie das Gerät niemals unbeaufsichtigt.
- ◆ Richten Sie die Nebelaustrittsdüse niemals direkt auf Personen.
- ◆ Der Ausstoß des Nebelgerätes ist sehr heiß. Halten Sie während des Betriebes einen Sicherheitsabstand von ca. 60 cm zur Austrittsdüse ein.
- ◆ Installieren Sie das Nebelgerät an einem gut belüfteten Ort. Niemals die Lüftungsschlitze verdecken. Um eine ausreichende Belüftung zu gewährleisten, halten Sie bitte einen Mindestabstand von 20 cm um und über dem Gerät ein.
- ◆ Richten Sie die Austrittsdüse niemals auf offene Flammen.
- ◆ Wenn die Versorgungsschnur beschädigt wird, muss sie vom Hersteller oder dem Kundendienst oder ähnlich qualifiziertem Personal ersetzt werden, um eine Gefahr zu vermeiden.
- ◆ Die Austrittsdüse wird während des Betriebes sehr heiß (200° C). Für leicht entflammbare Materialien muss ein Mindestabstand von 50 cm zur Austrittsdüse eingehalten werden.
- ◆ Lassen Sie Ihr ANTARI Nebelgerät vor Reinigungs- und Wartungsarbeiten abkühlen.

• Explosionsgefahr

- ◆ Mischen Sie niemals entzündliche Flüssigkeiten jeglicher Art (Öl, Gas, Duftstoffe) unter das Nebelfluid.
- ◆ Verwenden Sie ausschließlich hochwertige und von Ihrem Händler empfohlene Nebelfluide auf Wasserbasis. Andere Nebelfluide können zum Verstopfen oder Tropfen des Gerätes führen.

- ◆ Achten Sie unbedingt darauf, dass sich immer eine ausreichende Menge Nebelfluid im Tank befindet. Der Betrieb ohne Nebelfluid führt zu Pumpenschäden und zur Überhitzung des Heizelementes.
- ◆ Sollte Ihr Nebelgerät einmal nicht mehr ordnungsgemäß arbeiten, schalten Sie es bitte sofort ab. Entleeren Sie den Tank vollständig, verpacken Sie das Gerät sorgfältig (am besten in der Originalverpackung) und schicken Sie es bei Ihrem ANTARI-Händler ein.
- ◆ Entleeren Sie den Tank immer, bevor Sie das Gerät verschicken oder transportieren.
- ◆ Trinken Sie niemals Nebelfluid. Sollte es dennoch einmal verschluckt werden, konsultieren Sie bitte sofort einen Arzt. Sollten die Haut oder die Augen einmal mit Nebelfluid in Berührung kommen, bitte sorgfältig mit Wasser auswaschen.

Bitte beachten Sie alle auf Ihrer Antari-Maschine angebrachten Warnhinweise und Anweisungen.

• ***Auspacken und Prüfen der Maschine***

Öffnen Sie den Versandkarton und stellen Sie sicher, dass alle Teile, die für den Betrieb des Systems notwendig sind, in einem einwandfreien Zustand eingetroffen sind. Wenn Ausrüstungsteile fehlen sollten, nehmen Sie bitte sofort mit Ihrem Antari-Händler Kontakt auf. Bevor Sie mit der Inbetriebnahme Ihrer Antari-Nebelmaschine beginnen, stellen Sie sicher, dass kein offensichtlicher Transportschaden vorliegt. Falls das Gehäuse der Maschine oder das Netzkabel beschädigt sein sollte, schließen Sie sie nicht ans Netz an und versuchen Sie nicht, sie zu benutzen, bevor Sie Ihren Antari-Händler kontaktiert haben.

Der Versandkarton sollte die folgenden Posten beinhalten:

1. M-8 Nebelmaschine mit Netzkabel
2. Z-21 Multi-Funktionskabelfernbedienung
3. Bedienungsanleitung

• ***Inbetriebnahme***

- ◆ Entfernen Sie jegliches Verpackungsmaterial vom Versandkarton. Vergewissern Sie sich, dass alle Schaumstoff- und Plastikeinlagen entfernt werden, insbesondere in der Nähe der Austrittsdüse.
- ◆ Installieren Sie das Nebelgerät auf einer ebenen Oberfläche und schrauben Sie den Deckel des Fluidtanks ab.

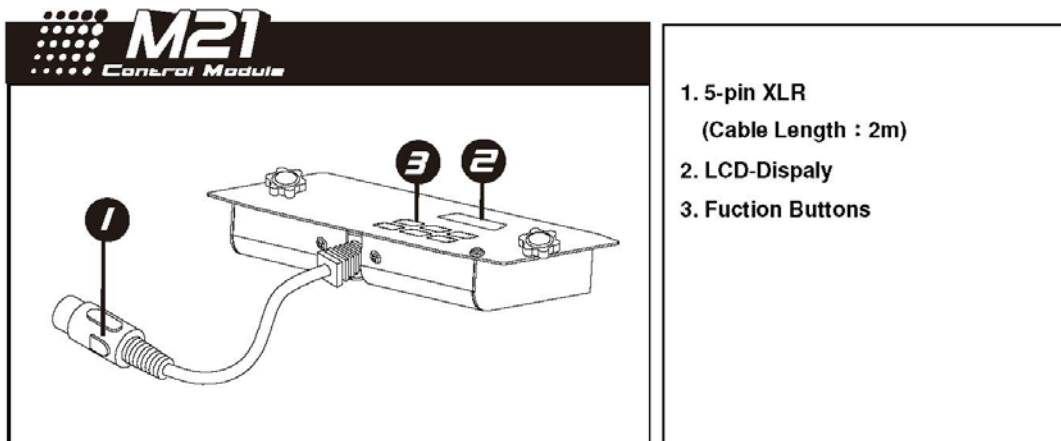
- ◆ Füllen Sie den Tank mit ANTARI Nebelflüssigkeit oder anderen hochwertigen Nebelfluids auf Wasserbasis. Alle anderen Fluidarten können Beschädigungen am Gerät zur Folge haben. Nach dem Befüllen verschließen Sie den Tank bitte wieder mit dem Deckel.
- ◆ Stecken Sie das Kabel der Fernbedienung fest in die richtige Eingangsbuchse auf der Rückseite des Geräts ein.

• **Bedienung**

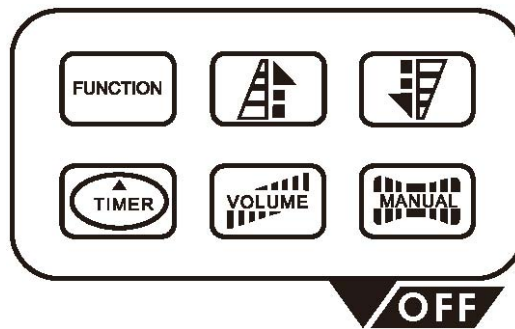
- ◆ Stecken Sie den Netzstecker in eine geerdete Schutzkontaktsteckdose ein. Schalten Sie den Netzschalter auf der Rückseite des Gerätes auf "ON". Die Aufheizzeit ist beendet, wenn das Display „Ready to Fog“ anzeigt.
- ◆ Um den Nebelausstoß auszulösen, drücken Sie bitte den entsprechenden Knopf auf der Fernbedienung M-21.
- ◆ Das Display der M-21 zeigt die Betriebsbereitschaft der Maschine an. „Warming Up“: die Maschine heizt auf, um die korrekte Betriebstemperatur zu erreichen. „Ready to Fog“: Bereit zum Nebelausstoß.
- ◆ Weitere Informationen zum Betrieb Ihres M-8 Nebelgeräts finden Sie unter "Bedienung M-21".
- ◆ Die Gerätegarantie basiert auf Benutzung von maximal 8 Stunden pro Tag. Zeiten, die darüberhinaus gehen, können die Lebensdauer der Maschine verkürzen.
- ◆ Achten Sie bei der Installation darauf, dass der Nebel niemals direkt in das Gesicht einer Person ausgestoßen wird und der Neigungswinkel niemals 35 Grad überschreitet.

• **Bedienung M-21**

Die M-21 dient zur Fernsteuerung der M-8 Nebelmaschine. Sie verfügt über ein 2-Meter-Kabel mit 5-poligem XLR-Stecker. Die Schnittstelle der Fernbedienung ermöglicht persönliche Einstellungen bei Nebeldauer, Zeitabstand und Volumen. Das LCD-Display zeigt die aktuellen Parameter an. Diese werden automatisch gespeichert, wodurch die Nebelmaschine abgeschaltet werden kann, ohne dass Einstellungen verloren gehen.



Bedientasten



Nach dem Aufheizen und bei ausreichend Nebelflüssigkeit zeigt das Display **“Ready To Fog W”** und die Maschine ist bereit zum Nebelausstoß. Zusätzlich wird ein **“W”** für Wireless (Funk) angezeigt, wenn diese Funktion aktiviert ist. Nehmen Sie nun die notwendigen Menüeinstellungen mit den Bedientasten vor.

1. Menüeinstellungen mit der Taste Function

Zeitintervalle für den Timer-Betrieb einstellen

Drücken Sie die Taste **FUNCTION**, bis auf der Anzeige **“Interval Set”** [Intervall einstellen] erscheint. Verwenden Sie die Tasten **UP** und **DOWN**, um die Zeitintervalle (d. h. die Pausen zwischen den einzelnen Nebelausstößen) für den Timer-Betrieb zwischen 1 und 200 Sekunden einzustellen.

Nebeldauer für den Timer-Betrieb einstellen

Drücken Sie die Taste **FUNCTION**, bis auf der Anzeige **“Duration Set”** [Zeitdauer einstellen] erscheint. Verwenden Sie die Tasten **UP** und **DOWN**, um die Zeitdauer der Nebelausstöße zwischen 1 und 200 Sekunden einzustellen.

Nebelmenge für den Timer-Betrieb einstellen

Drücken Sie die Taste **FUNCTION**, bis auf der Anzeige **“Timer Out”** [Nebelmenge einstellen] erscheint. Verwenden Sie die Tasten **UP** und **DOWN**, um einen Wert für die Nebelmenge (High, Medium oder Low) im Timer-Betrieb einzustellen.

Nebelmenge für den Dauerbetrieb einstellen

Drücken Sie die Taste **FUNCTION**, bis auf der Anzeige **“Volume Output”** [Nebelmenge einstellen] erscheint. Verwenden Sie die **UP** und **DOWN**, um einen Wert für die Nebelmenge (High, Medium oder Low) im Dauerbetrieb einzustellen.

DMX512-Adresse einstellen

Drücken Sie die Taste **FUNCTION**, bis auf der Anzeige "**DMX 512 Add.**" [DMX-Adresse einstellen] erscheint. Verwenden Sie die Tasten **UP** und **DOWN**, um die DMX-Startadresse einzustellen. Bitte beachten Sie Kapitel DMX512-Einstellungen für weiterführende Informationen zum DMX-Betrieb.

Flüssigkeitssensor an- und ausschalten

Drücken Sie die Taste **FUNCTION**, bis auf der Anzeige »Fluid Sensor On« [Flüssigkeitssensor An] erscheint. Verwenden Sie die Tasten **UP** und **DOWN**, um den Flüssigkeitssensor zu deaktivieren [Anzeige »Fluid Sensor Off«] und wieder zu aktivieren [Anzeige »Fluid Sensor On«].

Quick Start an- und ausschalten

Drücken Sie die Taste **MENU**, bis auf der Anzeige "Quick Start On" [Schnellstart An] erscheint. Verwenden Sie die Tasten **UP** und **DOWN**, um den Schnellstartmodus zu deaktivieren [Anzeige "Quick Start Off"] und wieder zu aktivieren [Anzeige "Quick Start On"].

Wenn der Schnellstartmodus aktiviert ist, ruft die Maschine beim Einschalten die zuletzt gewählte Betriebsart auf. Wurde zuletzt Timer- oder Dauerbetrieb angewählt, beginnt die Maschine sofort Nebel auszustößen. Wenn kein Ausstoßmodus angewählt war, zeigt das Display "Ready to Fog".

Funkfunktion an- und ausschalten

Drücken Sie die Taste **MENU**, bis auf der Anzeige "Wireless On" [Funkfunktion An] erscheint. Verwenden Sie die Tasten **UP** und **DOWN**, um die Funkfunktion zu deaktivieren [Anzeige "Wireless Off"] und wieder zu aktivieren [Anzeige "Wireless On"].

2. Dauerbetrieb

Drücken Sie die Taste **VOLUME**, um einen dauerhaften Nebelausstoß auszulösen. Auf dem Display erscheint "**Volume**", gefolgt von dem Wert, der im Menüpunkt "**Volume Output**" eingestellt wurde. Um den Nebelausstoß zu stoppen, drücken Sie erneut die Taste **VOLUME**.

3. Manueller Betrieb

Für sofortigen Nebelausstoß mit maximaler Nebelmenge, halten Sie die Taste **MANUAL** gedrückt. Auf dem Display erscheint »Manual 100 %«. Sobald Sie die Taste wieder lösen, wird der Nebelausstoß gestoppt. Der manuelle Betrieb hat Vorrang vor dem Dauerbetrieb und dem Timer-Betrieb. Selbst wenn eine dieser Betriebsarten

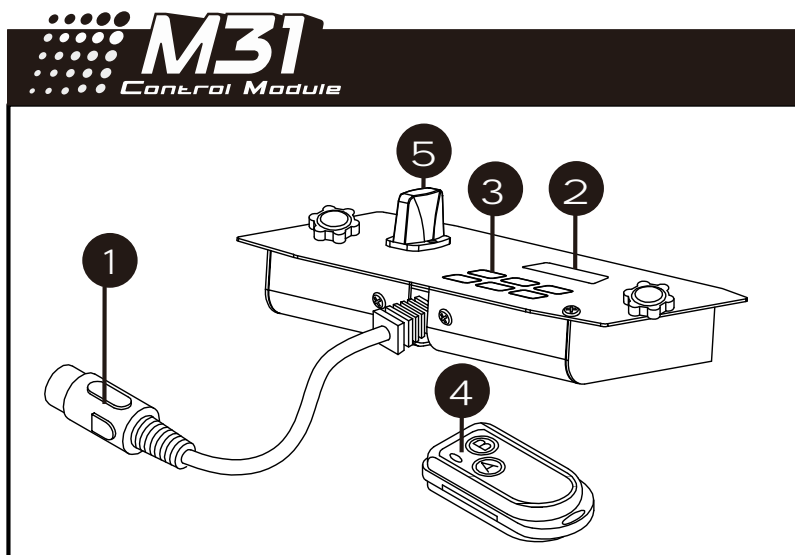
eingestellt ist, stößt die Nebelmaschine immer die maximale Nebelmenge beim Drücken der Taste MANUAL aus.

4. Timer-Betrieb

Im Timer-Betrieb stößt das Gerät automatisch Nebel aus. Die Zeitintervalle, die Nebeldauer und das Nebelvolumen richten sich nach den jeweiligen Menüeinstellungen. Drücken Sie die Taste **TIMER**, um den Timer-Modus zu aktivieren. Auf dem Display erscheint das eingestellte Zeitintervall. Das Gerät zählt rückwärts bis auf 0 Sekunden und löst den Nebelausstoß aus. Zum Ausschalten des Timer-Betriebs drücken Sie die Taste **OFF/MANUAL**.

M-31 Funkfernbedienung

Das Funkfernsteuersystem M-31 besteht aus einer Sendeeinheit mit zwei Tasten für den Nebelausstoß und einer Empfängereinheit, die an der M-8 angebracht ist.



1. 5-pin XLR
(Cable Length : 2m)
2. LCD-Display
3. Function Buttons
4. Transmitter
5. Receiver

Sendeeinheit



Mit der Fernbedienung lässt sich der Nebelausstoß per Funkübertragung über eine Distanz von bis zu 50 Metern auslösen.

Drücken Sie die Taste **A**, um den Nebelausstoß auszulösen. Die Taste **A** hat die gleiche Funktion wie die Taste **VOLUME** am Bedienfeld, d. h. der Nebelausstoß richtet sich nach der Einstellung im Menüpunkt **“Volume Output”**. Auf dem Display erscheint **“Volume”**, gefolgt von High, Medium oder Low output. Als zusätzliche Kontrolle leuchtet die blaue LED. Um den Nebelausstoß zu stoppen, drücken Sie die Taste **B**.

Empfänger



Der Empfänger wird im Werk getestet und an der M-8 Nebelmaschine vorinstalliert. Versuchen Sie nicht, den Empfänger zu entfernen. Der Empfänger kann von bis zu 5 Sendeeinheiten gesteuert werden, die auf die Maschine adressiert sind. Die mitgelieferte Sendeeinheit ist vor der Auslieferung adressiert worden. Sie erfordert keine Konfiguration und kann sofort verwendet werden.

Sendeeinheiten adressieren

Um eine andere Sendeeinheit als die mitgelieferte zur Steuerung der Maschine zu verwenden oder um die Maschine mit bis zu 5 verschiedenen Sendeeinheiten zu steuern, muss jede Sendeeinheit zuvor adressiert werden. Schalten Sie dazu die Maschine ein. Drücken Sie die Taste **“A”** 1 Sekunde auf jeder Sendeeinheit, wenn auf der Anzeige **»Wireless Setup«** erscheint. Dadurch werden alle zuvor adressierten Sendeeinheiten aus dem Speicher des Empfängers gelöscht. Die Adressierung muss innerhalb von 15 Sekunden nach dem Einschalten der Maschine erfolgen. Danach wird der Einstellmodus automatisch beendet. Auf der Anzeige erscheint **»Wireless Setup OK«** [Funkeinstellungen OK]. Es kann keine weitere Sendeeinheit hinzugefügt werden.

Wird keine neue Sendeeinheit nach dem Einschalten der Maschine adressiert, bleibt die Einstellung aus dem vorhergehenden Betrieb im Empfänger erhalten.

Adressierungsbeispiel 1:

Sollen mehrere Sendeeinheiten auf eine Maschine adressiert werden, schalten Sie die Maschine ein. Drücken Sie die Taste "A" 1 Sekunde an jeder Sendeeinheit, wenn auf der Anzeige »Wireless Setup« erscheint, um die Steuerverbindung herzustellen (innerhalb von 15 Sekunden).

Adressierungsbeispiel 2:

Soll eine Sendeeinheit zur Steuerung von zwei oder mehr Maschinen verwendet werden, müssen die Maschinen gleichzeitig eingeschaltet werden. Drücken Sie die Taste "A" 1 Sekunde auf der Sendeeinheit, wenn auf der Anzeige »Wireless Setup« erscheint, um die Steuerverbindung herzustellen.

Batteriewechsel an der Sendeeinheit

Lässt die Reichweite der Sendeeinheit nach, ist wahrscheinlich die Batterie verbraucht und muss ausgewechselt werden. Lösen Sie dazu die Gehäuseabdeckung und entfernen Sie die verbrauchte Batterie. Legen Sie eine frische 12-V-Batterie wie im Batteriefach angegeben ein und bringen Sie die Gehäuseabdeckung wieder an.

• DMX512-Einstellungen

Die M-8 Nebelmaschine verfügt über ein DMX512-System. Für den Anschluss an einen DMX-Controller sind 3-polige und 5-polige DMX-Anschlüsse auf der Rückseite der Maschine angebracht. Die Maschine kann über einen Steuerkanal im Ausstoß reguliert werden. Der Kanal bewegt sich innerhalb der DMX-Werte 0 bis 255. Nach dem Anschluss an einen DMX-Controller können Timer-Funktionen wie Nebeldauer und Intervall über den DMX-Controller oder die DMX-Steuerungssoftware programmiert werden. Im DMX-Betrieb können das Bedienfeld oder die Funkfernbedienung W-1 nicht mehr zur Steuerung der Maschine verwendet werden. Durch die Verwendung des DMX-Steuerprotokolls können Nebelmaschinen, Lichteffekte und andere Effektgeräte innerhalb eines Verbunds ganz leicht gesteuert werden.

DMX-Wert	Funktion
0~31	aus (kein Ausstoß)
32~126	niedriger Ausstoß
127~191	mittlerer Ausstoß
192~255	hoher Ausstoß

• **Technische Daten**

Modell	M-8
Spannungsversorgung	100~230 V AC 50/60 Hz
Gesamtanschlusswert	1800 W
Ausstoßvolumen	ca. 1400 m ³ /Min.
Tankkapazität	10 Liter
Fluidverbrauch	7 Min./Liter
Gewicht	15 kg
Maße (LxBxH)	668x319x170 mm
Aufwärmzeit	8 Min.
Mitgelieferte Fernbedienung	M-21
Funkfernbedienung (Zubehör)	M-31

• **Hinweise**

Sollten Sie einen verminderten Ausstoß, Pumpgeräusche oder überhaupt keinen Ausstoß feststellen, sofort vom Netz trennen. Kontrollieren Sie den Fluidstand, die externe Sicherung, den Anschluß zur Fernbedienung und die Stromversorgung. Sollte nach 30 Sekunden permanenten Drückens des Fernbedienungsknopfes immer noch kein Ausstoß erfolgen, überprüfen Sie bitte den Verbindungsschlauch zum Tank und vergewissern Sie sich, dass Fluid hindurchfließen kann. Wenn Sie die Ursache des Problems nicht feststellen können, drücken Sie bitte nicht weiter die Fernbedienungstaste, da dies zu Schäden am Gerät führen kann. Schicken Sie das Gerät bei Ihrem ANTARI-Händler ein.

• **Hinweise zur Leistung**

- Alle Nebelgeräte bilden um die Austrittsdüse Kondenswasser. Beachten Sie bitte bei der Installation, dass dies zu Flüssigkeitsansammlungen unterhalb der Austrittsdüse führen kann.
- Alle Nebelgeräte können während des Betriebes oder bis ca. 1 Minute nachdem das Gerät außer Betrieb genommen wurde, gelegentlich etwas Nebel ausstoßen.

- Alle Nebelgeräte benötigen nach längerem Dauerbetrieb Betriebspausen, um wieder auf die korrekte Betriebstemperatur zu kommen. Während diesen Pausen ist kein Nebelausstoß möglich.

•Wartung

Achten Sie darauf, dass das Nebelfluid nicht verunreinigt wird. Setzen Sie sofort nach Befüllen des Tanks den Deckel des Tanks sowie des Kanister wieder auf. Nach 40 Betriebsstunden wird empfohlen, destilliertes Wasser durch das System laufen zu lassen. Dadurch lassen sich Ablagerungen im Heizelement vermeiden. Bitte gehen Sie wie folgt vor:

1. Entleeren Sie den Tank vollständig. Füllen Sie destilliertes Wasser in den Tank ein. Stecken Sie das Gerät ein und schalten Sie es an.
2. Betreiben Sie das Gerät in gut belüfteten Räumen, bis der Tank leer ist. Lassen Sie der Pumpe nicht versiegen.
3. Die Reinigung ist damit abgeschlossen. Füllen Sie den Tank wieder mit Nebelfluid. Betreiben Sie Ihr Nebelgerät nie ohne Flüssigkeit.

Hinweis: Alle Nebelgeräte sind aufgrund der Dickflüssigkeit des Nebelfluids und der hohen Verdampfungstemperatur anfällig für Verstopfungen. Nichtsdestotrotz sollte ein regelmäßig gewartetes Nebelgerät Ihnen jahrelang treue Dienste leisten.

Reinigen Sie das Gerät nur mit einem trockenen Tuch. Trocken lagern.

Reinigen Sie Ihr Nebelgerät regelmäßig, um hohe Kosten für Ersatzteile und Reparaturen zu vermeiden.

•Lagerung

1. Für die Lagerung lassen Sie destilliertes Wasser (kein Leitungswasser) durch das System laufen, wie in der Reinigungsanleitung beschrieben. Dadurch vermeiden Sie, dass Partikel innerhalb der Pumpe oder der Heizung kondensieren.
2. Wir empfehlen Ihnen monatlich an der Maschine einen Testlauf durchzuführen, der aus einer Aufwärmzeit besteht und einigen Minuten Nebelausstoß. Befolgen Sie danach Schritt 1.

Bitte lesen Sie diese Anweisungen und bewahren Sie sie gut auf.



使用說明書

歡迎您成為 Antari M-8 專業煙霧機的使用者

感謝您選用 Antari 專業煙霧機，在開始使用這部專業煙霧機之前，我們建議您先仔細閱讀說明書，依照使用說明書中的說明，讓您再使用 Antari 專業煙霧機時非常安全，輕易的達到最滿意的煙霧效果，也使得機器的使用壽命更為延長。

注意事項：

請在連結電源之前，先填裝好煙霧油，機器使用完畢及搬運前，請先確認清空煙霧油桶。

避免觸電的安全使用方式：

- 請保持機器乾燥
- 使用前請小心判定電壓伏特數，如果使用所有規格的機種並應配合接地型插座使用。
- 填充煙霧油至油桶內時，請先拔掉插頭。
- 請保持機器橫放，勿傾斜放置。
- 不使用時請關機，長時間不使用時請拔掉插頭。
- 本產品之設計為不防水，遇潮濕或浸水或煙霧油滲出時請即刻拔掉插頭並擦乾，在下次使用前，連絡技術人員或 Antari 的代理商檢修。
- 本包裝中未附服務零件，敬請連繫 Antari 代理商，或洽詢合格技術人員。

避免燃燒的安全使用方式：

- 機器內部並無一般使用者可變動之結構，請勿任意打開上蓋及作任何更改的動作，否則可能造成起火的危險！
- 機器僅限成人使用，安裝煙霧機之地點應避免兒童可處及之出，敬請於外出離去時關閉電源。
- 請勿將機器噴嘴對著人體及動物直射。
- 煙霧機所產生的煙霧溫度較高，機器運作時，請遠離噴嘴 60CM 以上。
- 請將煙霧機放置於通風良好的地方，請勿遮蓋機器散熱部分，為確保適度通風，機器的上方及周圍請預留 20CM 空間。
- 請勿將機器噴嘴對準火焰。
- 當機器運作時，噴嘴輸出部分之溫度高達攝氏 200 度，請將任何物品放置離機器 50CM 之外。
- 清潔、從事維護及收納機器時，請先確認機器已經完全冷卻。

避免爆炸的安全使用方式:

- 請勿將任何可燃性液體(例如油脂, 瓦斯, 香水)·放置於煙霧油槽中·並請使用前詳細閱讀說明書。
- 請使用代理商所推薦的 **Antari** 高品質水性煙霧油·任意使用其他煙霧油產品·可能導致堵管現象甚至造成內部零件腐蝕。
- 請確認煙霧油槽中有足夠的煙霧油·以免造成煙霧機幫浦空轉過熱。
- 若您的 **Antari** 機器有任何不當運轉情況時·請即刻停止使用·倒出煙霧油·機器冷卻後·仔細包好本產品(建議以原包裝)送至代理商或經銷商處維修。請記得在運送或郵寄本產品前·確定完全傾倒出所有在油桶中的煙霧油。
- 煙霧油不能飲用·誤飲時·如有任何不適請立即就醫·若不甚接觸眼睛·請即刻以水清洗。
建議: 在使用本機器之前·詳細的閱讀一次印刷在機器上蓋板及後背板的警語標示。

拆除包裝及檢視機器

請打開包裝確認機器運作的所有設備齊全·請參考配置圖·確認您所購買的機型應包括之項目·倘若有缺少任何項目·請即刻聯絡 **Antari** 經銷商。 機器出廠時應包含以下物件:

4. M-8 煙霧機一部
5. M - 21 多功能遙控器附帶的 2 米長的線纜
6. 使用說明書一份

機器的安裝

- 拆開包裝·小心的移除所有的保麗龍墊片·特別是機器噴嘴的部分。
- 將煙霧機平放·取下裝置煙霧油容器的蓋子
- 注入 **Antari** FLR 或 FLG 煙霧油
- 注入完成後·並仔細蓋上油蓋。
- 在機器後方將 M-21 控制器線插入正確的位置·並確定連結。

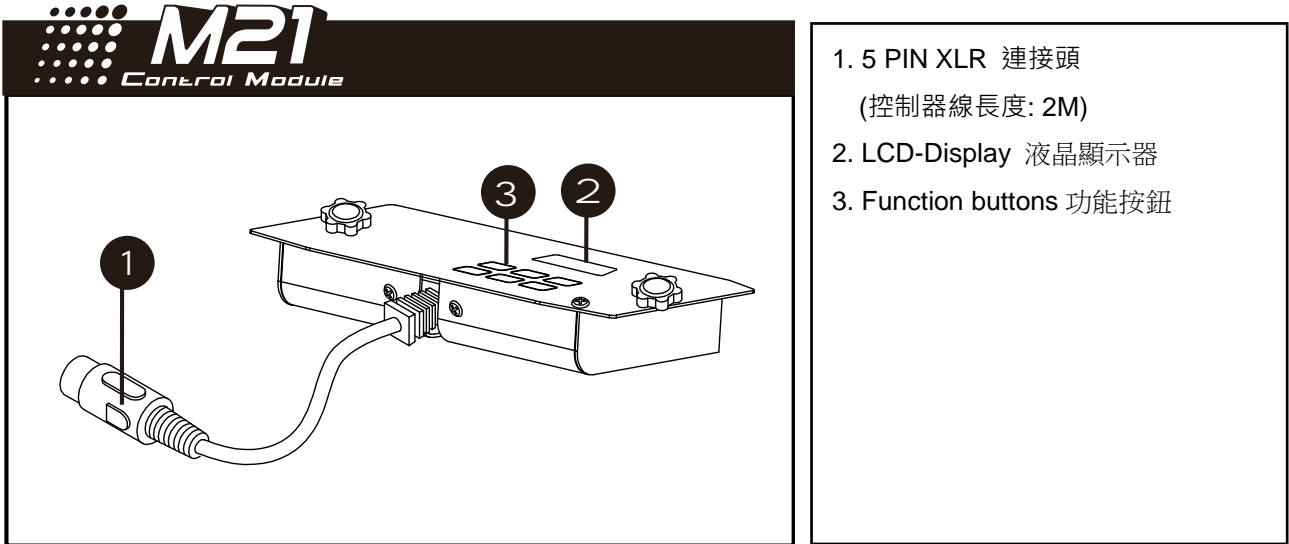
操作機器

- 將電源線插在有接地的插座上·再將機後方之電源開關打開至“ON”·溫機直至控制器上綠燈持續亮顯示噴煙準備就需為止。
- 設定 M-20 控制器上的適當的按鍵以調整須要的噴煙時間·煙量大小及噴煙間距。
- 控制器上的顯示螢幕會依機器運轉溫度循環溫顯示“Warming up”(加溫準備)以及“Ready to Fog”(準備就緒)。
- 更進一步的 M-8 煙霧機操作資訊·請參考 M-21 控制器操作說明。
- 機器的保固是以一天 8 小時操作為計算單位·超負荷使用可能會造成機器壽命減短。
- M-8 機型屬於高功率的大瓦數專業用煙霧機·操作時適宜平穩放置·如因特殊需要而傾斜時·請加以完全的固定方式·傾斜的角度以不操過 35 度為宜。

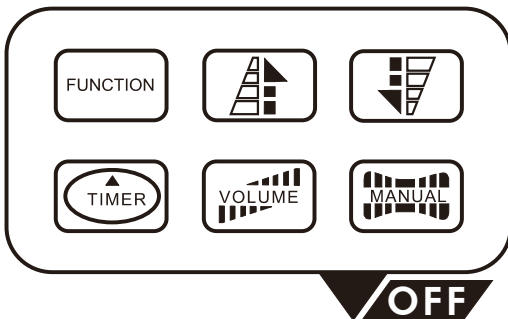
M - 21 多功能遙控器

適用於 Antari M-8 煙霧機型，控制器線長度 2M 的多功能控制器，採用 5 PIN XLR 連接頭，智慧型控制器，使用者可以隨需要設定煙霧機運轉功能，只需操做面板按鈕就可以輕易設定噴煙時間、噴煙間隔及煙霧輸出量並儲存在內部記憶體內，使得機器即使關機也能在下次開機後保存前一次的設定記錄。

其液晶顯示板，會顯示機器目前運作的情況，控制器面板有五個功能鍵說明如下：



1. 5 PIN XLR 連接頭
(控制器線長度: 2M)
2. LCD-Display 液晶顯示器
3. Function buttons 功能按鈕



1. 功能按鈕子菜單:
 - > Interval Set 煙量大小設定
 - > Duration Set 噴煙時間設定
 - > Timer Out 定時輸出
 - > Volume Out 煙量輸出
 - > DMX 512 Add
 - > Fluid Sensor
2. Up / Down button 上/下鍵
3. Timer button 計時器鍵
4. Volume button 輸出鍵
5. Manual (OFF) button 手動(關閉)鍵

- Timer 定時器功能模組下設定間隔噴煙
按 FUNCTION 鍵至 LCD 螢幕出現[INTERVAL SET](間隔噴煙)，在此模式之下，使用者可以透過 Up (上)與 Down (下)來設定噴煙的時間間隔(範圍是 1 到 200 秒)。

- **Timer 定時器功能模組下設定連續噴煙設定**
按 FUNCTION 鍵至 LCD 螢幕出現[DURATION SET](連續噴煙)在此模式之下，使用者可以透過 Up (上)與 Down (下)來設定連續噴煙的時間。(定時器模式下可以設定 1 到 200 秒)。
- **Timer 定時器功能模組下設定煙霧輸出量設定**
按 FUNCTION 鍵至 LCD 螢幕會顯示[TIMER OUT]，在此模式之下，使用者可以在此時的模式下，透過 Up (上)與 Down (下)來調整煙霧輸出量(可設定“大”或“中”或“小”)。
- **設定煙霧輸出量**
按 FUNCTION 鍵至 LCD 螢幕會顯示[Volume Out]。使用者可以透過 Up (上)與 Down (下)去選擇煙霧輸出量(可設定“大”或“中”或“小”)。
- **設定 DMX512 address**
按 FUNCTION 鍵至 LCD 螢幕會顯示[DMX 512 Add] 使用者可以透過 Up (上)與 Down (下)來設定機器與 DMX 控台的相同位置。更多相關的 DMX 操作資訊，請參閱 DMX512 設定章節
- **開啟及關閉油量感應器**
按 FUNCTION 鍵至 LCD 螢幕會顯示[Fluid Sensor On]。使用者可以透過 Up (上)與 Down (下) 關閉油量感應器 (顯示 »Fluid Sensor Off«) 及開啟油量感應器 (顯示»Fluid Sensor On«)。

切換 Quick Start 模式開啟及關閉

按 FUNCTION 鍵至 LCD 螢幕會顯示[Quick Start On]使用者可以透過 Up (上)與 Down (下) 切換機器 Quick Start 模式。

Quick Start 模式：

如果[Quick Start On]模式啟動時 the M-8 會調整置之前的操作模式。例如，如果上一次最後所的選項為定時模組，機器將會在預熱後直接進入定時設定模組。

-輸出量操作

按 VOLUME 鍵，在設定輸出量(大或中或小)中啟動煙霧輸出。螢幕顯示[Volume]followed by the output that was set in menu item »Volume Out«. 若要停止煙霧輸出，按[OFF] (MANUAL)鍵

-手動操作

For immediate fog output at the maximum volume of fog, 當 LCD 液晶螢幕顯示 “Ready To Fog” ,請持續按壓 MANUAL 鍵。螢幕顯示 »Manual 100 %«. 此時持續的按 MANUAL 鍵，煙霧機會持續大量的輸出煙霧。當鬆開按鈕時，煙霧輸出會停止。

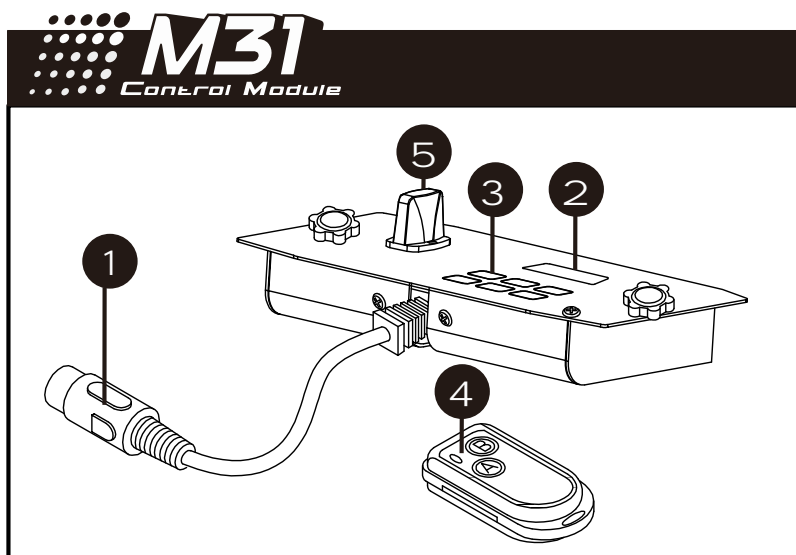
-定時器操作

在定時器模式下，機器會依據菜單內所設定的 間隔、連續及煙霧輸出量自動輸出煙霧。按 TIMER 鍵，去啟動定

時模組。螢幕會顯示 the set time interval. 機器會倒數至 0 秒後輸出煙霧。若要關閉定時模組，按 OFF (MANUAL)鍵。

M-31 無線控制器操作說明

無線控制器 M-31 是由發射器及接收器組成的。發射器上的兩個按鈕分別可開啟及關閉煙霧輸出。接收器已預先連接至每一個 M-31 的面板上。



1. 5 PIN XLR 連接頭
(控制器線長度: 2M)
2. LCD-Display 液晶顯示器
3. Function buttons 功能按鈕
4. Transmitter 發射器
5. Receiver 接收器

* Transmitter: 發射器



透過 W-1 發射器，可於 50 公尺內的飯為控制煙霧輸出。所有的 W-1 發射器皆可與所有的 M-31 內建的接收器相容。所以可以同時控制數量無上限的機器。

按下“ A” 可輸出。按鍵“ A” 的功能等同於 LCD 控制版的輸出(VOLUME)鍵，例如。煙霧輸出是根據菜單的設定 » 輸出 «. 顯示器顯示 »輸出量« (大 或 中 或 小輸出量). 按“ B” 鍵則可中止輸出。

* Receiver 接收器:



接收器是經測試預先的連接到每一個 M-31 面板上，請勿移除。每個接收器都能記憶五組發射器的訊號。每個發射器在出廠都已經完成設定，使用者可以不用重新設定即可使用。

*** 設定發射器：**

若使用者希望透過其他發射器來控制機器(除了原來配備的發射器之外)，或需要用五個不同的發射器控制時，每一個發射器必須再使用前設定完成。為了達成此目的，當機器啟動且螢幕顯示 [Wireless Setup] (無線設定)，請在 15 秒內分別按下所需設定控制器的 A 鈕，否則機器會在 15 秒之後自動離開設定模式。當螢幕顯示 [Wireless Setup ok] (無線設定完成)，在此時，任何的發射器都無法再增加。

1. 機器具有記憶功能，若在機器啟動也完成設定之後，沒有再設定其他組控制器時，機器可自動記憶最後設定的控制器組，在機器下次使用開機時，請勿按壓任何控制器的按鈕，經過 15 秒的設定時間之後，即可以上次所記憶的控制器組來控制機器。
2. 請注意當有新的控制器要與機器對頻時，無論先前有幾組完成設定的控制器都會被洗掉。

設定範例 1:

為了設定多組控制器對一台機器，當機器啟動且 LCD 螢幕顯示 [Wireless Setup] (無線設定)，請在 15 秒內分別按下所需設定控制器的 A 鈕，即可完成設定配對。

設定範例 (2)：

若使用者想用一個控制器配對兩台、或多台機器使用，可將希望控制的機器數量分別啟動，當 LCD 螢幕顯示 [Wireless Setup] (無線設定)時，在 15 秒之內按下控制器的 A 鈕來完成設定配對。

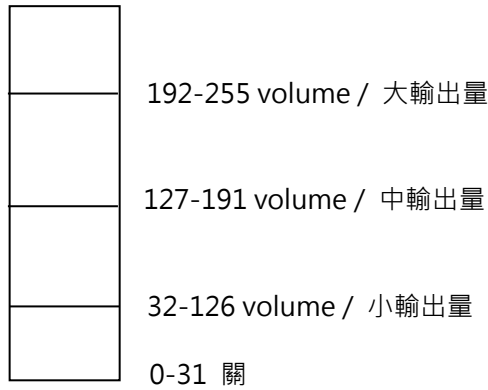
發射器的電池更換

當 W-1 的使用距離逐漸短縮，很可能是電池已消耗怠盡而需更換。作電池的更換，請先將外殼拆下，將舊電池以 12V 新電池換上，將後再將外殼裝回。

- 注意：當預熱程序已完成且無線控制功能已啟動 LCD 螢幕顯示 "Ready To Fog W"。("W" 意指 無線控制) 相反的，當無線控制功能停止時 LCD 螢幕顯示 "Ready To Fog" (沒有 "W")。

DMX 控制設定說明

ANTARI M-8 ON-BOARD DMX SETTINGS



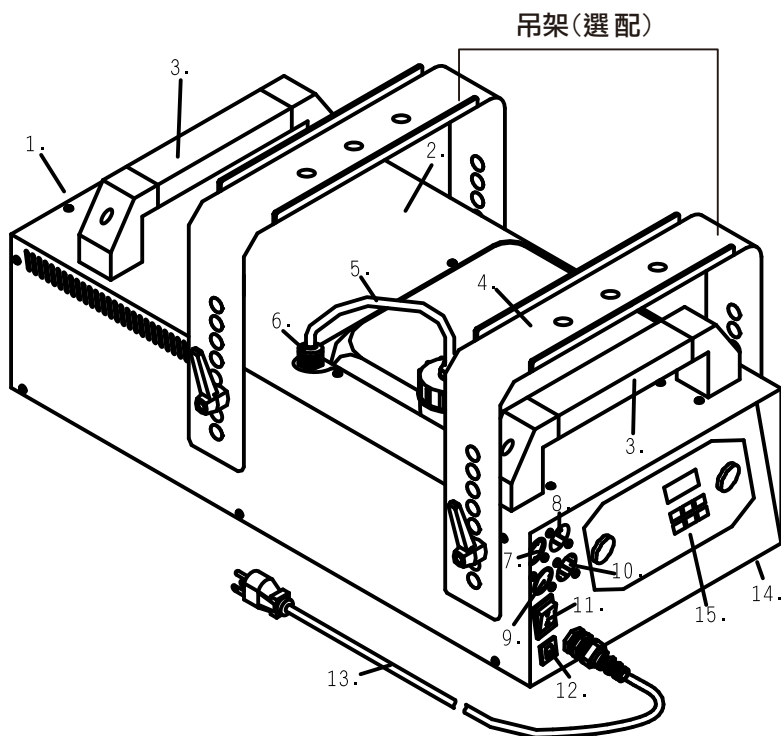
M-8 有內建 DMX 控制的功能，僅使用一個頻道位置控制煙霧輸出。該頻道位址的數值範圍介於 0 至 255。當頻道設定值在 0 到 31 之間，這台機器將無法有足夠的輸出量運作。

當頻道設定值在 32 到 126，機器能啟動最小的輸出量

當頻道設定值在 127 到 191，機器能啟動中輸出量。

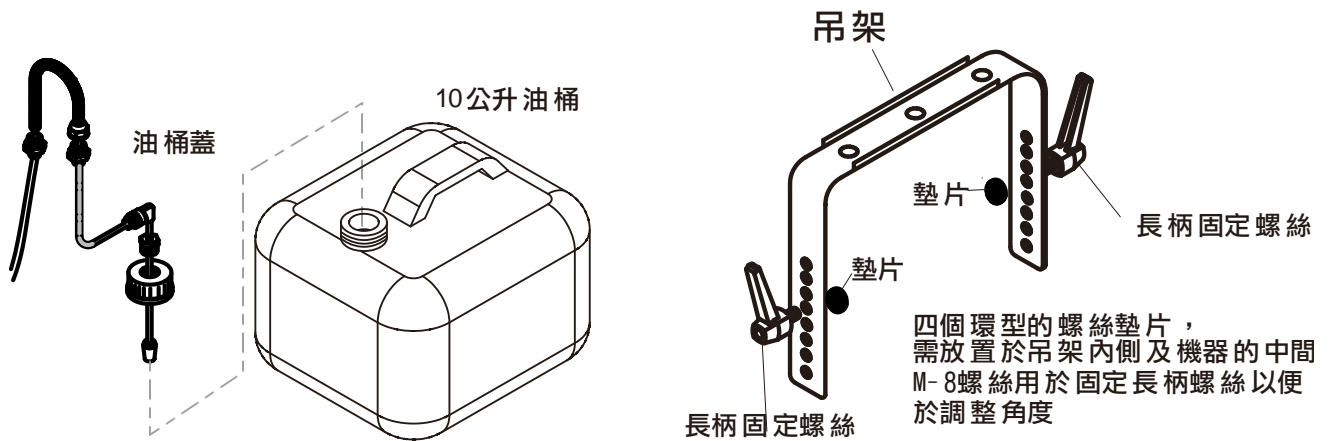
當頻道設定值在 192 到 255，機器能啟動大輸出量。

M-8 機器規格說明



M-8機器各部份說明

1. 噴嘴
2. 外殼
3. 把手
4. 油桶及油桶蓋
5. 油管及濾嘴
6. 連接頭
7. DMX 訊號輸出端 (3Pin 接頭)
8. DMX 訊號輸入端 (3Pin 接頭)
9. DMX 訊號輸出端 (5Pin 接頭)
10. DMX 訊號輸入端 (5Pin 接頭)
11. 電源 開/關
12. 保險絲座(保險絲規格 120V/15A, 230V/7A)
13. 電源線
14. 防震腳
15. M-20 液晶控制器



倘若發生煙霧量過少、機器運轉時產生噪音或無法順常噴煙的動作，請立即拔掉插頭。檢查是否有足夠的煙霧油，外部保險絲、控制器連結等，電源處等。若以上皆無問題，在插上插頭，若持續無法正常運作，請檢查連結煙霧油桶的管子是否通暢，有無液體流通，若無法辨是原因，請勿繼續讓機器運轉。以免損壞機器，應立即關機冷卻，並將機器送至 Antari 代理商或指定的服務處檢視。

產品規格

型號	M-8
適用電源供應	100~230V AC, 50/60 Hz~
輸出功率	1800W
輸出功率 (立方尺/ 每分鐘)	1,400m ³ /min
煙霧油桶容量 (公升)	10 liters
耗油量 (每分鐘/ 公升)	7 min / Liter
重量	22.5 kg
尺寸 L x W x H (mm)	668x319x170 mm
隨機附含控制器	M-21
選擇性配備	M-31
溫機時間	8 min

備註事項

煙霧機在使用一段時間後，噴嘴附近會有一些灰色沉澱物質。是因為菸霧油應過熱交換而產生的自然現象。只要將他擦拭乾淨即可。為了保持機器在最佳的性能及長久的使用壽命，請使用 Antari 高品質的煙霧油或代理商所建議的煙霧油。

維護與收藏

請勿讓煙霧油受到雜質污染，在每次添完油之後請馬上蓋好油桶蓋。定期的清潔與保養您的機器，可以將零件的損壞率減至最低，並節省維修成本。在使用超過 40 個小時之後，建議您可以使用蒸餾水，依尋以下的步驟來清潔電熱管：

清潔的步驟如下：

1. 在油箱中倒進蒸餾過的乾淨清水，然後將聯接油箱與機器的油管裝上。
2. 在通風的地方啟動並運作機器，直到油箱內的清水幾乎使用完畢。
3. 請使用乾淨的棉布擦拭機器，清潔到此結束。之後請再添加煙霧油，啟動機器讓它運作一小段時間來清掉一些殘餘在幫浦與電熱管上的煙油。

注意:所有的煙霧機經常因為使用濃稠的煙油而導致阻塞，無論如何，正確的使用方法與清潔可以增加機器的使用年限。

請使用乾棉布擦拭並在儲藏前保持乾燥。

若煙霧機不打算使用，在儲藏前請先清潔，並保持機器乾燥然後存放在常溫之下。每個月請至少運作機器一次，讓機器預熱，然後執行噴煙動作幾分鐘。

請妥善保存此操作手冊



For current product information visit Antari at: www.antari.com
For information requests please contact us at: sales@antari.com



C08M08002

www.antari.com