

SOFT LED 4

165 W – Enhanced CRI

LED SOFTLIGHT

White light, Remote Phosphors either Tungsten (CRI>95) or Daylight (CRI>91)
balanced Correlated Colour Temperature



Soft Led Range



LED Lighting, Green Energy

OVERVIEW

De Sisti Soft LED 4

This innovative Remote Phosphors 165W LED SOFTLIGHT, with its COLOR RENDERING INDEX – CRI higher than 95 for the Tungsten CCT and Higher than 91 for the Daylight CCT, provides a smooth and soft shadow projecting beam, yet within a controlled field that makes it ideal for multiple camera set ups. In fact, differently from typical LED PANELS with multiple LEDs, the DE SISTI SOFT LED is a single Surface emitter with an optimized optics to produces multidirectional light emission and reflection, yet within a field that can be contained and controlled by means of the various honeycombs and intensifiers made available.

Its main features are:

- a controlled Beam and SOFT White Source, ideal for multiple camera use in the studio, with more effective control of the beam projection and effective Honeycombs
- producing SOFT SHADOWS,
- with a beautiful EVEN DISTRIBUTION and a real quality projection with precise reference white.
- NO PIXEL EFFECT from the LED (which is a problem from many other Brand's LED PANELS in the market).
- Contained Size, reduced weight and exceptional efficiency for energy savings and lit Talent comfort.
- Choice of Manual or Pole operation, the full dimming is through DMX and the LEDs are supplied with DC throughout the 0 to 100% dimming range, for a full FLICKER FREE operation and super smooth cross fades.
- The unit is self contained and requires no other external power supplies or devices....both Mains and DMX connections are DAISY Chain able.

FEATURES

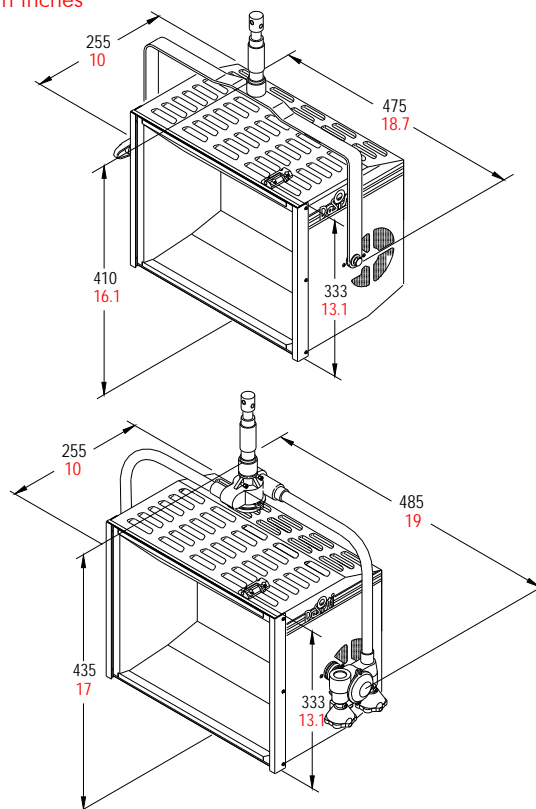
- Remote Phosphors Panel (interchangeable).
- Rugged and Lightweight Carbon Steel housing with low glare black epoxy powder coating, with internal reinforces.
- High efficiency Automatic Cooling.
- DMX (or local) control of the Light intensity from 0 to 100% with smooth transition and theatrical quality dimming....flicker free at any dimming level.
- Special Optics for SOFT LIGHT and improved efficiency.
- The accessories are secure regardless of the orientation of the fixture. Accessories have been designed for one hand installation.
- Available with either positive lock manual yokes for comfort and ease of handling, or pole operated yokes which can be used via the lighting pole for Panning and Tilting the lights as well as manually, since the mechanical activators are equipped with clutches.

CHARACTERISTICS & PERFORMANCE DATA

DESCRIPTION	VALUE	
➤ Power to LED	165W DC Current to the LED (no flicker)	
➤ Power Consumption	Europe	America
	190W @ 230 V 50-60 Hz	205W @ 120 V 50-60 Hz
➤ DMX Data link USITT DMX512-A	This product uses a 5-pin XLR for DMX input and output. Use a shielded data cables. Do not overload the daisy chain. Up to a maximum of 32 devices can be used on a single DMX chain.	
➤ DMX Channels	1 at 8bit: Dimmer	
	2 at 16bit: Dimmer	
➤ LED BARS Lifetime	50.000 hours with 70% Lumen Maintenance.	
➤ Protection Type	IP 22	
➤ Max. Housing Surface Temperature	70° C	
➤ Weight of Fixture with yoke	M.O.	P.O.
	8,3 kg.	9,6 kg.

Dimensions:

in mm
in inches



POWER AND DMX DAISY CHAIN



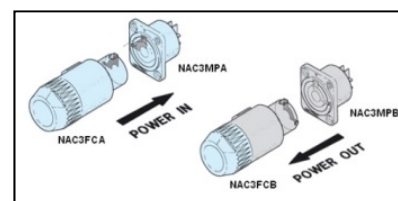
The SOFT LED permits both POWER and DMX DAISY CHAIN. In fact each Fixture is respectively equipped with:

For DMX:

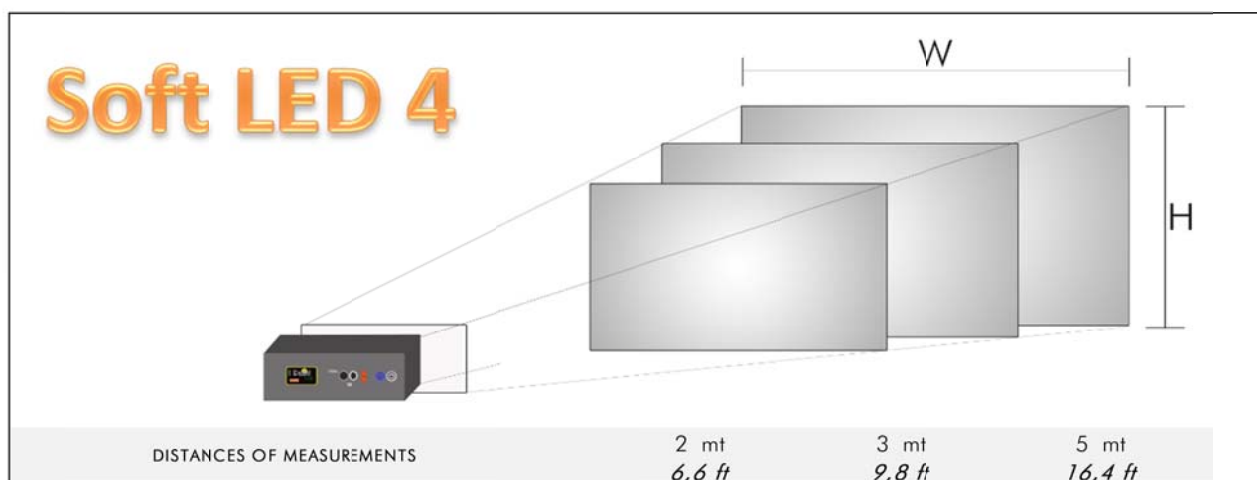
- 1 XLR5 pin Panel Mount Male & Female (DMX IN & OUT)

For Mains Supply

- 1 20A Powercon NAC3MPA BLUE (POWER IN)
- 1 20A Powercon NAC3MPB WHITE (POWER OUT)



PHOTOMETRIC DATA: Illumination



ILLUMINATION LEVELS AT DISTANCES ON SOFT LED 4 - 165W

PHOTOMETRIC DATA Soft LED 4 - 165W (CRI 95)

C.C.T. (Correlated Color Temperature) balanced to match 3.200°K TUNGSTEN LAMPS

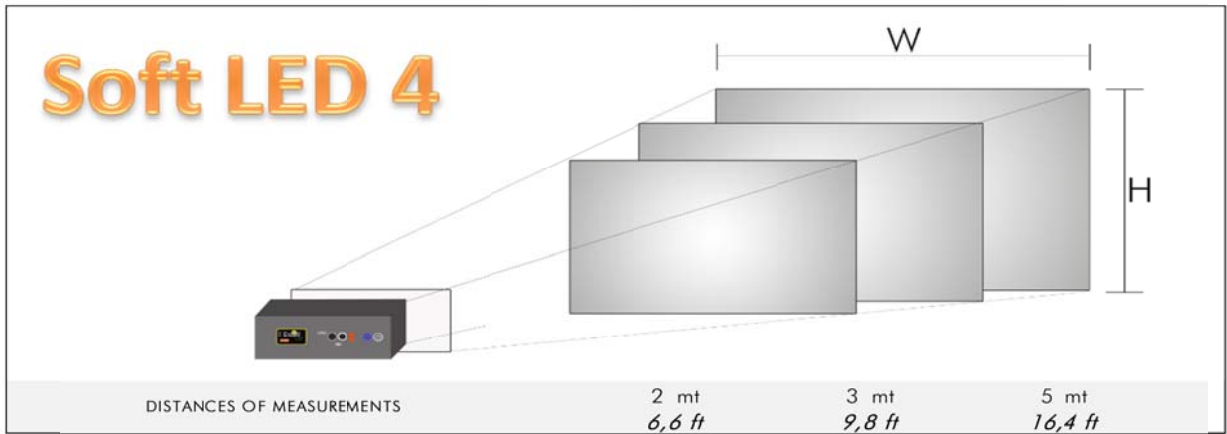
Illumination center values at the following distances		2 mt 6,6 ft	3 mt 9,8 ft	5 mt 16,4 ft
SL4 Tungsten w/o Front Accessories		1.343 lux	597 lux	215 lux
Central Light intensity (Candle Power)	5.373 cd	125 FC	55 FC	20 FC
SL4 Tungsten with Intensifier		1.770 lux	787 lux	283 lux
Central Light intensity (Candle Power)	7.082 cd	164 FC	73 FC	26 FC
SL4 Tungsten with Medium Black H.Comb		1.147 lux	510 lux	184 lux
Central Light intensity (Candle Power)	4.589 cd	107 FC	47 FC	17 FC
SL4 Tungsten with Narrow Black H.Comb		1.099 lux	488 lux	176 lux
Central Light intensity (Candle Power)	4.395 cd	102 FC	45 FC	16 FC
SL4 Tungsten with Medium White H.Comb		1.209 lux	537 lux	193 lux
Central Light intensity (Candle Power)	4.836 cd	112 FC	50 FC	18 FC
SL4 Tungsten with Narrow White H.Comb		1.142 lux	507 lux	183 lux
Central Light intensity (Candle Power)	4.567 cd	106 FC	47 FC	17 FC

PHOTOMETRIC DATA Soft LED 4 - 165W (CRI 91)

C.C.T. (Correlated Color Temperature) balanced to match 5.600°K DAYLIGHT LAMPS

Illumination center values at the following distances		2 mt 6,6 ft	3 mt 9,8 ft	5 mt 16,4 ft
SL4 Daylight w/o Front Accessories		1.496 lux	665 lux	239 lux
Central Light intensity (Candle Power)	5.985 cd	139 FC	62 FC	22 FC
SL4 Daylight with Intensifier		1.972 lux	876 lux	316 lux
Central Light intensity (Candle Power)	7.888 cd	183 FC	81 FC	29 FC
SL4 Daylight with Medium Black H.Comb		1.278 lux	568 lux	204 lux
Central Light intensity (Candle Power)	5.111 cd	119 FC	53 FC	19 FC
SL4 Daylight with Narrow Black H.Comb		1.224 lux	544 lux	196 lux
Central Light intensity (Candle Power)	4.896 cd	114 FC	51 FC	18 FC
SL4 Daylight with Medium White H.Comb		1.347 lux	599 lux	215 lux
Central Light intensity (Candle Power)	5.387 cd	125 FC	56 FC	20 FC
SL4 Daylight with Narrow White H.Comb		1.272 lux	565 lux	203 lux
Central Light intensity (Candle Power)	5.087 cd	118 FC	53 FC	19 FC

PHOTOMETRIC DATA: Soft Beam Sizes



BEAM COVERAGE AT DISTANCES ON SOFT LED 4 - 165W

PROJECTED BEAM COVERAGE at the following distances
Intended at BEAM ANGLE (area borders at 50% of center value)

			2 mt 6,6 ft	3 mt 9,8 ft	5 mt 16,4 ft
Light beam Width at Beam Angle w/o accessories	87,0°	W	3,80 mt 12,5 ft	5,69 mt 18,7 ft	9,49 mt 31,1 ft
Light beam Height at Beam Angle w/o accessories	83,0°	H	3,54 mt 11,6 ft	5,31 mt 17,4 ft	8,85 mt 29,0 ft
Light beam Width at Beam Angle w/ 2 Leaf Intensifier	80,0°	W	3,36 mt 11,0 ft	5,03 mt 16,5 ft	8,39 mt 27,5 ft
Light beam Height at Beam Angle w/ 2 Leaf Intensifier	55,0°	H	2,08 mt 6,8 ft	3,12 mt 10,2 ft	5,21 mt 17,1 ft
Light beam Width at Beam Angle w/ BLACK Honeycomb, 1/2" cells, MEDIUM.	45,0°	W	1,66 mt 5,4 ft	2,49 mt 8,2 ft	4,14 mt 13,6 ft
Light beam Height at Beam Angle w/ BLACK Honeycomb, 1/2" cells, MEDIUM.	44,0°	H	1,62 mt 5,3 ft	2,42 mt 8,0 ft	4,04 mt 13,3 ft
Light beam Width at Beam Angle w/ BLACK Honeycomb, 1/4" cells, NARROW.	35,0°	W	1,26 mt 4,1 ft	1,89 mt 6,2 ft	3,15 mt 10,3 ft
Light beam Height at Beam Angle w/ BLACK Honeycomb, 1/4" cells, NARROW.	34,0°	H	1,22 mt 4,0 ft	1,83 mt 6,0 ft	3,06 mt 10,0 ft
Light beam Width at Beam Angle w/ WHITE Honeycomb, 1/2" cells, MEDIUM.	60,0°	W	2,31 mt 7,6 ft	3,46 mt 11,4 ft	5,77 mt 18,9 ft
Light beam Height at Beam Angle w/ WHITE Honeycomb, 1/2" cells, MEDIUM.	58,0°	H	2,22 mt 7,3 ft	3,33 mt 10,9 ft	5,54 mt 18,2 ft
Light beam Width at Beam Angle w/ WHITE Honeycomb, 1/4" cells, NARROW.	50,0°	W	1,87 mt 6,1 ft	2,80 mt 9,2 ft	4,66 mt 15,3 ft
Light beam Height at Beam Angle w/ WHITE Honeycomb, 1/4" cells, NARROW.	48,0°	H	1,78 mt 5,8 ft	2,67 mt 8,8 ft	4,45 mt 14,6 ft

BEAM CONTROL & SOFT SHADOWS WITH ANY ACCESSORY UTILIZED



SOFT LED 4 VERSIONS & MODEL NUMBERS

MOD.	DESCRIPTION
TUNGSTEN BALANCED CCT (CRI higher than 95) 230/240V Versions	
LT4670.110	<p>"SOFT LED 4" 230/240V 165W CRI>95 Tungsten CCT, M.O. DMX LED Softlight including:</p> <ul style="list-style-type: none"> - Mod. L4670.101 M.O. SOFTLED 4 - 230/240V FIXTURE HEAD, with - Soft Beam Alluminium Optyacs - POWERCON IN & OUT PANEL MOUNTED CONNECTORS. - XLR 5 Pin DMX IN & OUT PANEL MOUNTED CONNECTORS. - 165W LED engine - Built In Power Supply 230-240V 50/60Hz DMX controlled. - Mod. TCL305140 Remote Phosphors Panel for SOFT LED 4, with CRI>95 TUNGSTEN Balanced Correlated Color Temperature (CCT) - Mod. 5403.135 3 mt. detachable Blue POWERCON power cable with bare ends - Mod. L4670.110.40 M.O. yoke with 28,57 mm. spigot (B.S. 1 1/8"), with top end for "C" clamp <p>DMX cable is not included, to be ordered separately</p>
LT4671.110	<p>"SOFT LED 4" 230/240V 165W CRI>95 Tungsten CCT, P.O. DMX LED Softlight including:</p> <ul style="list-style-type: none"> - Mod. L4670.101 M.O. SOFTLED 4 - 230/240V FIXTURE HEAD, with - Soft Beam Alluminium Optyacs - POWERCON IN & OUT PANEL MOUNTED CONNECTORS. - XLR 5 Pin DMX IN & OUT PANEL MOUNTED CONNECTORS. - 165W LED engine - Built In Power Supply 230-240V 50/60Hz DMX controlled. - Mod. TCL305140 Remote Phosphors Panel for SOFT LED 4, with CRI>95 TUNGSTEN Balanced Correlated Color Temperature (CCT) - Mod. 5403.135 3 mt. detachable Blue POWERCON power cable with bare ends - Mod. L4671.110.40 P.O. yoke with 28,57 mm. spigot (B.S. 1 1/8"), with top end for "C" clamp <p>DMX cable is not included, to be ordered separately</p>
TUNGSTEN BALANCED CCT (CRI higher than 95) 100/120V Versions	
LT4670.210	<p>"SOFT LED 4" 100/120V 165W CRI>95 Tungsten CCT, M.O. DMX LED Softlight including:</p> <ul style="list-style-type: none"> - Mod. L4670.201 M.O. SOFTLED 4 - 230/240V FIXTURE HEAD, with - Soft Beam Alluminium Optyacs - POWERCON IN & OUT PANEL MOUNTED CONNECTORS. - XLR 5 Pin DMX IN & OUT PANEL MOUNTED CONNECTORS. - 165W LED engine - Built In Power Supply 230-240V 50/60Hz DMX controlled. - Mod. TCL305140 Remote Phosphors Panel for SOFT LED 4, with CRI>95 TUNGSTEN Balanced Correlated Color Temperature (CCT) - Mod. 5403.135 3 mt. detachable Blue POWERCON power cable with bare ends - Mod. L4670.110.40 M.O. yoke with 28,57 mm. spigot (B.S. 1 1/8"), with top end for "C" clamp <p>DMX cable is not included, to be ordered separately</p>
LT4671.210	<p>"SOFT LED 4" 100/120V 165W CRI>95 Tungsten CCT, P.O. DMX LED Softlight including:</p> <ul style="list-style-type: none"> - Mod. L4670.201 M.O. SOFTLED 4 - 230/240V FIXTURE HEAD, with - Soft Beam Alluminium Optyacs - POWERCON IN & OUT PANEL MOUNTED CONNECTORS. - XLR 5 Pin DMX IN & OUT PANEL MOUNTED CONNECTORS. - 165W LED engine - Built In Power Supply 230-240V 50/60Hz DMX controlled. - Mod. TCL305140 Remote Phosphors Panel for SOFT LED 4, with CRI>95 TUNGSTEN Balanced Correlated Color Temperature (CCT) - Mod. 5403.135 3 mt. detachable Blue POWERCON power cable with bare ends - Mod. L4671.110.40 P.O. yoke with 28,57 mm. spigot (B.S. 1 1/8"), with top end for "C" clamp <p>DMX cable is not included, to be ordered separately</p>

SOFT LED 4 VERSIONS & MODEL NUMBERS

<i>MOD.</i>	<i>DESCRIPTION</i>
DAYLIGHT BALANCED CCT (CRI higher than 90) 230/240V Versions	
LD4670.110	<p>"SOFT LED 4" 230/240V 165W CRI>90 Daylight CCT, M.O. DMX LED Softlight including:</p> <ul style="list-style-type: none"> - Mod. L4670.101 M.O. SOFTLED 4 - 230/240V FIXTURE HEAD, with - Soft Beam Alluminium Optycs - POWERCON IN & OUT PANEL MOUNTED CONNECTORS. - XLR 5 Pin DMX IN & OUT PANEL MOUNTED CONNECTORS. - 165W LED engine - Built In Power Supply 230-240V 50/60Hz DMX controlled. - Mod. DCL305140 Remote Phosphors Panel for SOFT LED 4, with CRI>90 DAYLIGHT Balanced Correlated Color Temperature (CCT) - Mod. 5403.135 3 mt. detachable Blue POWERCON power cable with bare ends - Mod. L4670.110.40 M.O. yoke with 28,57 mm. spigot (B.S. 1 1/8"), with top end for "C" clamp <p>DMX cable is not included, to be ordered separately</p>
LD4671.110	<p>"SOFT LED 4" 230/240V 165W CRI>95 Daylight CCT, P.O. DMX LED Softlight including:</p> <ul style="list-style-type: none"> - Mod. L4670.101 M.O. SOFTLED 4 - 230/240V FIXTURE HEAD, with - Soft Beam Alluminium Optycs - POWERCON IN & OUT PANEL MOUNTED CONNECTORS. - XLR 5 Pin DMX IN & OUT PANEL MOUNTED CONNECTORS. - 165W LED engine - Built In Power Supply 230-240V 50/60Hz DMX controlled. - Mod. DCL305140 Remote Phosphors Panel for SOFT LED 4, with CRI>90 DAYLIGHT Balanced Correlated Color Temperature (CCT) - Mod. 5403.135 3 mt. detachable Blue POWERCON power cable with bare ends - Mod. L4671.110.40 P.O. yoke with 28,57 mm. spigot (B.S. 1 1/8"), with top end for "C" clamp <p>DMX cable is not included, to be ordered separately</p>
DAYLIGHT BALANCED CCT (CRI higher than 90) 100/120V Versions	
LD4670.210	<p>"SOFT LED 4" 100/120V 165W CRI>90 Daylight CCT, M.O. DMX LED Softlight including:</p> <ul style="list-style-type: none"> - Mod. L4670.201 M.O. SOFTLED 4 - 100/120V FIXTURE HEAD, with - Soft Beam Alluminium Optycs - POWERCON IN & OUT PANEL MOUNTED CONNECTORS. - XLR 5 Pin DMX IN & OUT PANEL MOUNTED CONNECTORS. - 165W LED engine - Built In Power Supply 100-120V 50/60Hz DMX controlled. - Mod. DCL305140 Remote Phosphors Panel for SOFT LED 4, with CRI>90 DAYLIGHT Balanced Correlated Color Temperature (CCT) - Mod. 5403.135 3 mt. detachable Blue POWERCON power cable with bare ends - Mod. L4670.110.40 M.O. yoke with 28,57 mm. spigot (B.S. 1 1/8"), with top end for "C" clamp <p>DMX cable is not included, to be ordered separately</p>
LD4671.210	<p>"SOFT LED 4" 100/120V 165W CRI>90 Daylight CCT, P.O. DMX LED Softlight including:</p> <ul style="list-style-type: none"> - Mod. L4670.201 M.O. SOFTLED 4 - 100/120V FIXTURE HEAD, with - Soft Beam Alluminium Optycs - POWERCON IN & OUT PANEL MOUNTED CONNECTORS. - XLR 5 Pin DMX IN & OUT PANEL MOUNTED CONNECTORS. - 165W LED engine - Built In Power Supply 100-120V 50/60Hz DMX controlled. - Mod. DCL305140 Remote Phosphors Panel for SOFT LED 4, with CRI>90 DAYLIGHT Balanced Correlated Color Temperature (CCT) - Mod. 5403.135 3 mt. detachable Blue POWERCON power cable with bare ends - Mod. L4671.110.40 P.O. yoke with 28,57 mm. spigot (B.S. 1 1/8"), with top end for "C" clamp <p>DMX cable is not included, to be ordered separately</p>

SOFT LED 4 OPTIONALS & ACCESSORIES

MOD.	DESCRIPTION
HONEYCOMBS	
L4675.200	BLACK Honeycomb for SOFT LED 4 fixtures, 1/4" black honeycomb, NARROW.
L4675.210	BLACK Honeycomb for SOFT LED 4 units, 1/2" black honeycomb, MEDIUM.
L4675.300	WHITE Honeycomb for SOFT LED 4 fixtures, 1/4" white honeycomb, NARROW.
L4675.310	WHITE Honeycomb for SOFT LED 4 units, 1/2" white honeycomb, MEDIUM.
INTENSIFIER	
L4676.200	2 Leaf Intensifier for SOFT LED 4 fixtures
COLORFRAME	
L4677.100	Colorframe for SOFT LED 4 fixtures
REMOTE PHOSPHORS PANELS	
TCL305140	Remote Phosphors Panel for SOFT LED 4, with CRI>95 TUNGSTEN Balanced Correlated Color Temperature (CCT)
DCL305140	Remote Phosphors Panel for SOFT LED 4, with CRI>90 DAYLIGHT Balanced Correlated Color Temperature (CCT)
STANDARD YOKES MANUAL AND POLE OPERATED	
L4670.110.40	Manual Operated Stirrup with B.S. spigot for SOFT LED 4 fixtures
L4670.220.40	Manual Operated stirrup (w/o spigot) for SOFT LED 4 fixtures
L4671.110.40	Pole Operated Stirrup with B.S. spigot for SOFT LED 4 fixtures
L4671.300.40	Pole Operated Stirrup with DIN spigot for SOFT LED 4 fixtures
DOUBLE YOKE MANUAL OPERATED FOR 2 PIECES OF SOFTLED 4	
L4670.400.40	Manual Operated DOUBLE YOKE with B.S. spigot to assembly 2 pieces of SOFT LED 4 fixtures one on top of the other. The Yoke allows the individual tilting of each SOFT LED 4 and a common tilting of both units.



Special Yoke for Combinations of Soft Led

Interchangeable Remote Phosphors Panel Tungsten or Daylight Balanced CCT

