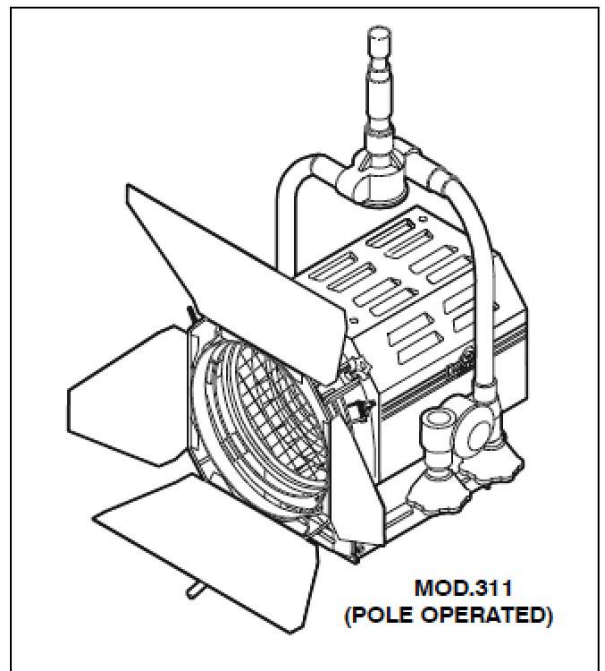
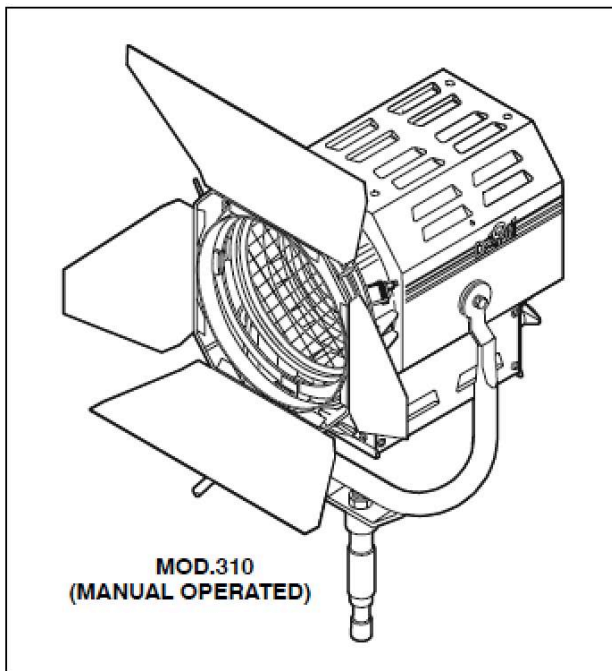




LEONARDO 5000 W
Quartz-Halogen Fresnel SPORTLIGHT

INSTRUCTION MANUAL

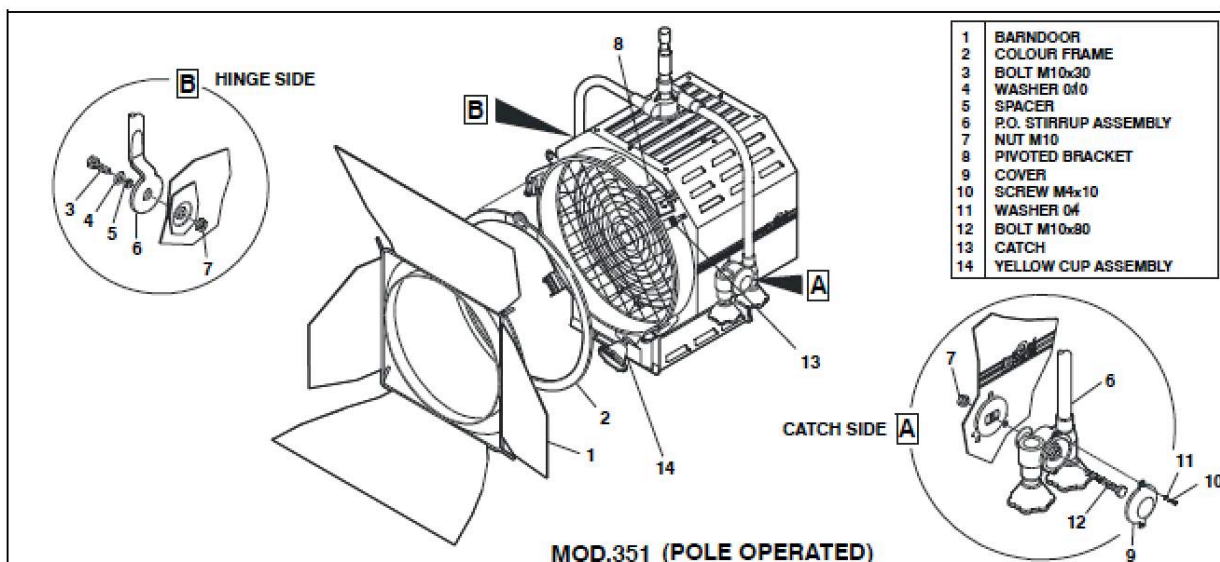
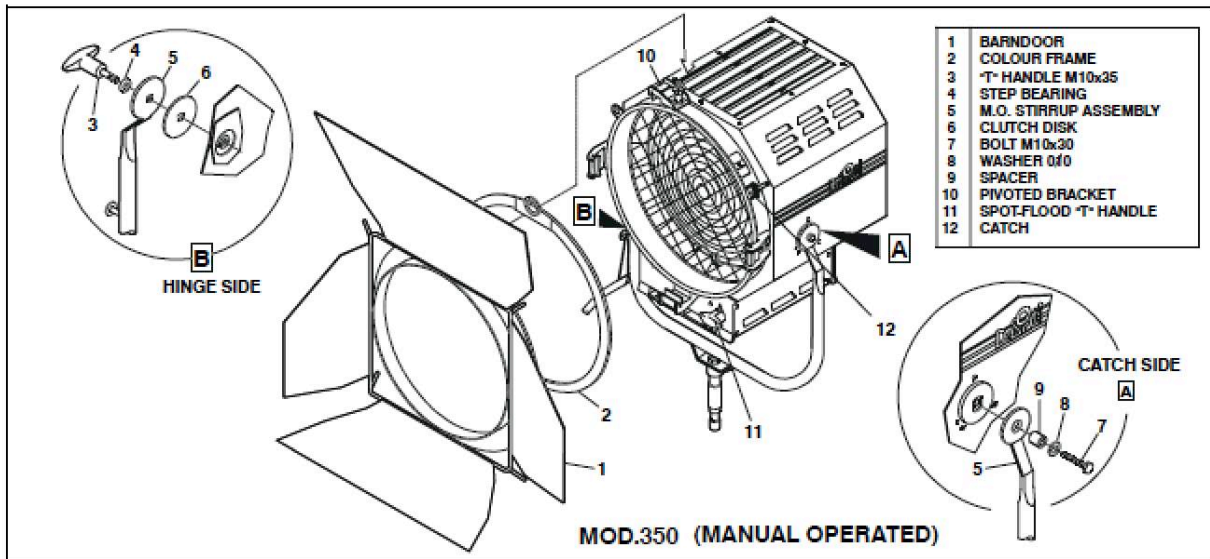


1. INTRODUCTION

Congratulations on your purchase of Leonardo 5kW lighting fixture from De Sisti. Our commitment to total customer satisfaction and our consolidated experience and leadership in design innovation and manufacturing of lighting products for the professional entertainment industry means you can depend upon the quality of this product.

The Leonardo 5 kW is a compact, highly efficient Fresnel lens spotlight using tungsten-quartz halogen filament lamps having GY 38 socket, L.C.L. of 165 mm. and max. 5 kW power.

2. YOKE AND ACCESSORIES ASSEMBLY




3. SAFETY INSTRUCTIONS

- ⇒ - **Professional use: this luminaire has been designed for professional use and must be operated by qualified personnel only. Not for residential use.**
- ⇒ - **Grounding: WARNING: This luminaire must be grounded**
- ⇒ - **Electrical connections: IMPORTANT: the cores in this mains lead are colored in accordance with the following code:**

	EUROPE	AMERICA
Ground	Green & yellow	Green or green & yellow
Neutral	Blue	White
Live	Brown	Black

In case the colors of the cores do not correspond to the colors of the connection points on your plug, please proceed as follows:

- the green or green and yellow core must be connected to the connection point marked with the letter E or with the symbol  or colored on green or in green-yellow
- the blue (or white) core must be connected to the connection point marked with the letter N or colored in black
- the brown (or black) core must be connected to the connection point marked with the letter L or colored in red

Working conditions

⇒ Insertion time	100%			
⇒ Working Position	Lighting fixture: Max. Tilting $\pm 90^\circ$ from horizontal			Lamp: S90
⇒ Ambient Temperature, t_a	-20° C : +45° C Max.			
⇒ Minimum distances from inflammable surfaces	Top	Back	Sides	Front
	0,75 m.	0,2 m.	0,2 m.	3,5 m.

The luminaire should never be OPERATED close to inflammable materials. The ones indicated in the above table are the minimum distances recommended. Other requirements for safe use are:

- A. Do not cover the apertures of the luminaire housing. They are essential for correct ventilation.
- B. Use only original accessories and spares from De Sisti Lighting.
- C. Before hanging the luminaire ensure that the suspension point (or the stand) is properly rated to accept the luminaire weight.
- D. In case of pole operated use, fit only a P.O. stirrup from De Sisti Lighting.
- E. A suitable secondary safety suspension device (safety cable, chain or equivalent) must be fitted between the suspension point and the eyelet at the front of the body .
- F. Don't use the luminaire in an environment where the ambient temperature is higher than the maximum nominal one, t_a , indicating the rating

4. INSTALLATION INSTRUCTIONS

Before connecting the luminaire to the electrical mains ensure that:

- A. Earth line is present on the power socket.
- B. The mains voltage is within the rated range of the luminaire (see technical data on the rating label)
- C. The lamp fitted:
 - is among the usable lamps (see point 6 or check with your De Sisti dealer)
 - has the same nominal voltage as the mains supply

- has a nominal voltage not higher than maximum power of the luminaire
- NB: the luminaire nominal frequency rate is 0-60 Hz
- D. The front safety shields against the lamp explosion are present and in a good condition
- Depending on luminaire type these items may consist of:
- wire mesh guard 3 mm x 3 mm
 - safety or dichroic glass plus wire 12 mm x 12 mm
 - Fresnel lens plus wire guard 25 mm x 25 mm

Shields, lenses safety or dichroic glasses shall be changed if they have become visibly damaged to such an extent that their effectiveness is impaired, for example by cracks or deep scratches.

ON NO OCCASION SHOULD THE LUMINAIRE BE USED WITHOUT THE ABOVE MENTIONED PROTECTION

5. LAMP INSTALLATION AND REPLACEMENT

The following procedure should be adopted:

- A. Ensure the luminaire is electrically isolated from the power supply
- B. Wait least 5 minutes from switching off to avoid risk of injury from possible lamp explosion. Then open lens door
WARNING: after the above mentioned time the lamp may still be very hot, use proper thermal protection (Eg. Gloves)
- C. Check that the new lamp is of the correct type (see item 5 C)
- D. Replace the lamp taking good note of the following:
 - do not touch the bulb with bare-hands; oil and grease can contaminate the bulb surface and than reduce the performance and the lamp life
 - the plastic cover which protects the lamp should not be removed until after fitting
 - Should the bulb become dirty due to hand contact or for any other reason, it can be cleaned with a cloth moistened with alcohol
- E. Ensure that the lens door is securely closed

WARNING: THE LAMP MUST BE REPLACED IF IT HAS BECOME DAMAGED OR DEFORMED

6. CHARACTERISTICS AND PERFORMANCE DATA

DESCRIPTION	VALUE			
- Power Input	Max. 5000 W			
- Power Supply	Europe 230 V – 50 Hz		America 110 V / 60 Hz	
- Switch on the fixture	M.O.	P.O.	Studio M.O. / P.O.	
	Toggle	Rotary	No Switch	
	60 A	45 A		
Lamp Holder	G38 Lever Type			
Power Cable	Europe 3 x 4 mm ² H07RN-F 90°C		America 3 x 6 AWG Type SO 90° C	
Protection Class	Class 1 – it requires ground connection			
Protection Type	IP 22			
Max. housing surface temperature	220°C			
Weight of fixture	M.O.	M.O. 120 V	P.O.	P.O. 120 V
	16	19,4	17	20,4
Weight of barndoor	4 leaf 1,7 kg.		8 leaf 1,9 kg	
Barndoor support diameter	399 mm.			
Weight of color frame	0,4 Kg.			
Accessories support diameter (filter cut dimension and scrims size)	395 mm.			
Lens diameter	300 mm			

7. PERIODIC INSPECTION

- A. The condition of the internal wiring insulation and of the input cable shall be inspected and tested every 500 working hours and at least once a year. This frequency may need to be increased if rough or unknown (eg. Retail) treatment is incurred. Replace only with original De Sisti spare parts. Non-original cables may not withstand the thermal and mechanical conditions of use.
- B. The lamp condition must be checked every 100 working hours. In order to avoid explosion the lamp should be changed if it has become damaged or deformed. Follow the instructions supplied by the lamp manufacturer.
- C. Check the condition of the safety shield (see chapter 4: installation instruction, point D) before every use.

8. SAFETY STANDARDS

Europe: The product conforms the Applicable European Directives & Standards	America: the product conforms NEC & UL stds.
<ul style="list-style-type: none"> - Low voltage directive: 89/392/EEC (as amended by 91/368/EEC, 93/44/EEC, 93/68/EEC) - EMC Directive: 89/336/EEC (as amended by 92/31/EEC & by 93/68/EEC) - European Standards: EN 60598-2-17, EN 292-1, EN 292-2 	UL Standard: 1573 Approved by UL: file E116219