



**ADMIRAL
STAGING**

Mount your equipment quickly and reliably onto keder profiles of all sizes.

SHARK[®] KEDER CLAMP

The Shark is an innovative clamp designed for quickly and easily mounting equipment onto keder profiles. The Shark can be used to create a hanging point on tent profiles, where no other attachment is possible. With its weight load limit of 200kg, it ensures a secure and reliable installation of your equipment, even for heavier loads such as hoists and truss.



KEY FEATURES

Constant ELL

The Shark maintains a constant maximum load capacity of 200 kg regardless of the width of the beam.

Centric load

Smartly designed to always allow a centric load, unlike conventional clamps where the load is rarely centric due to the adjustments required to fit different beam sizes.

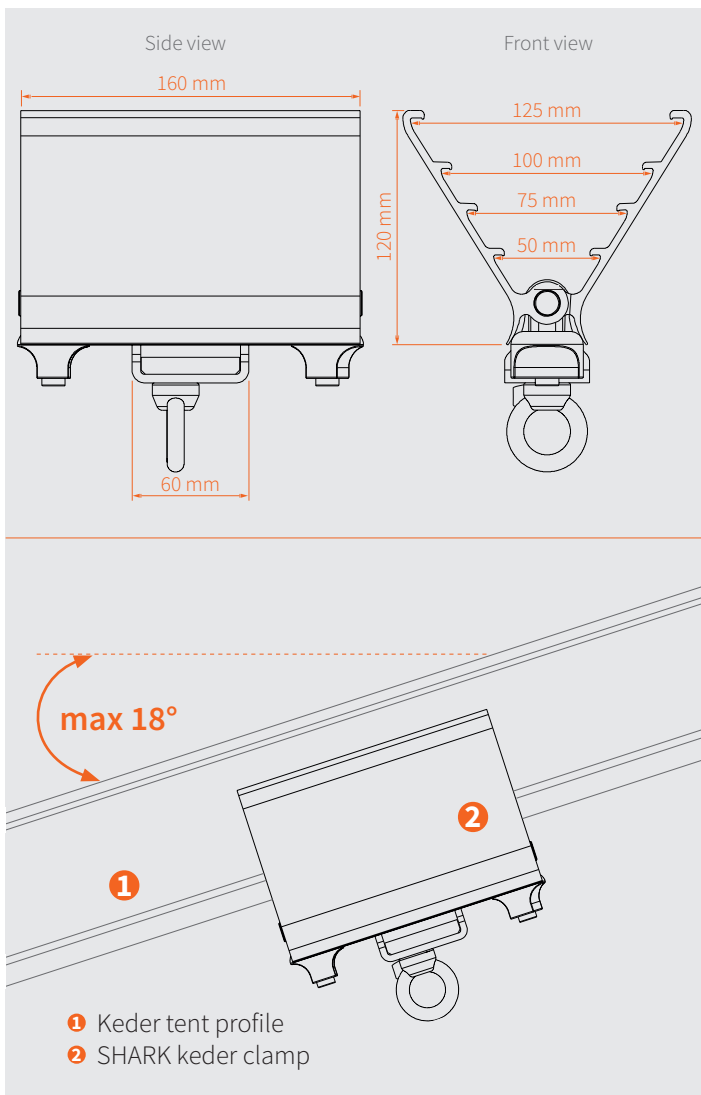
Quick assembly

Fast and easy assembly thanks to the spring loaded clamp.

Ⓜ Design registered in the EU and UK

www.admiralstaging.com

DIMENSIONS



TECHNICAL DATA

Shark®

Article code:	RIHASH04
EAN:	8720094427812
ELL:	200 kg (2000 N)
Safety factor against failure:	8:1
Static test coefficient:	1,5: 1
Maximum inclination:	18 dgr
Material: Shark:	aluminium anodized
eye bolt:	steel
Dimensions:	160 x 40 x 160 mm (L x W x H)
Weight:	2.3 kg
Colour: Shark:	black
eye bolt:	red



© Design registered in the EU and UK



ADMIRAL
STAGING

| www.admiralstaging.com | Josink Kolkweg 10 | 7545 PR Enschede | The Netherlands | Tel: +31 53 4 301 201 |