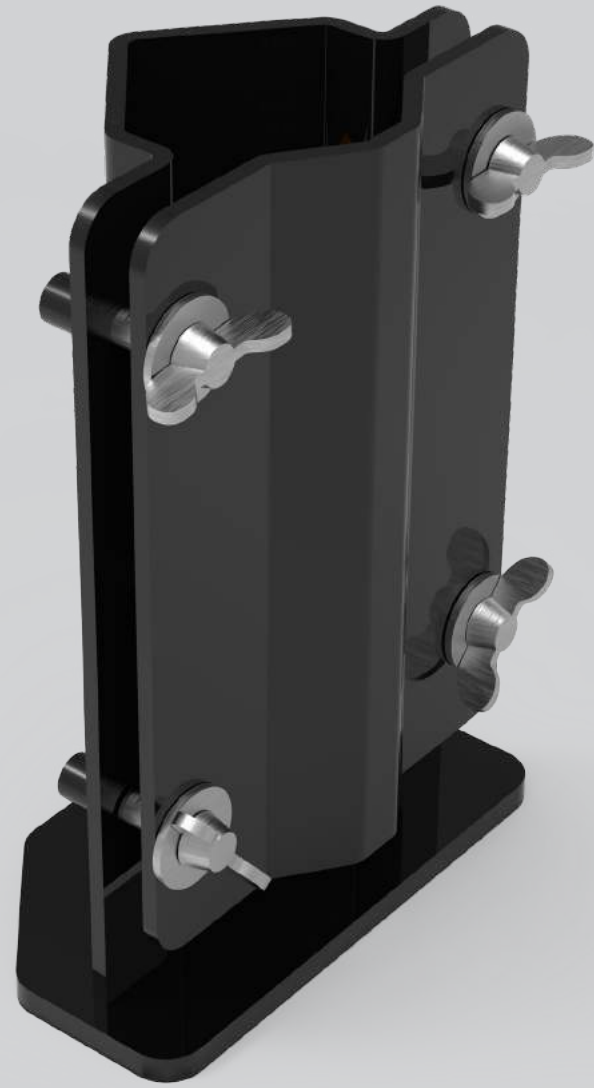




ADMIRAL
STAGING

MONO STAND

With the Mono stand, you can mount lightweight fixtures, cameras or other equipment vertically from the ground. You can easily install one or multiple Mono stands on a baseplate with an M12 bolt. Ideal for tight spaces where tripods won't fit.



KEY FEATURES

Lightweight

The Mono stand is light and compact, making it easy to transport without taking up much room.

Space saver

Designed as a space-saving solution, it's perfect for narrow areas where a tripod would be too large or impractical.

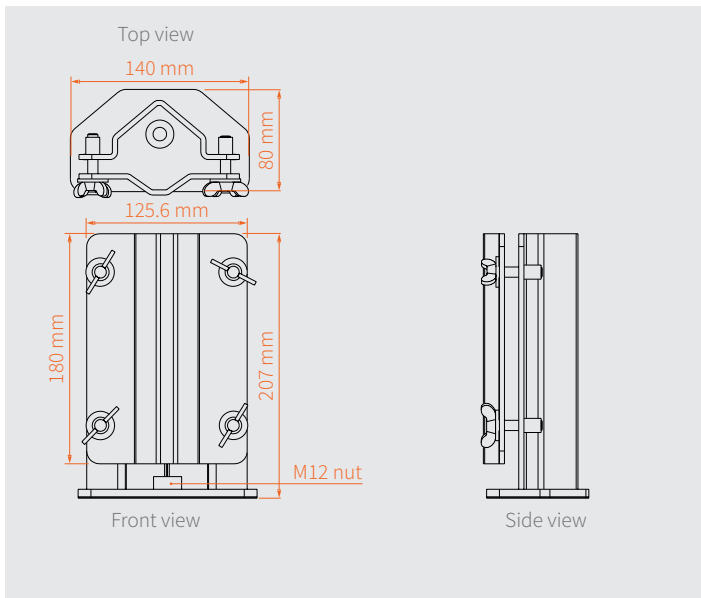
Compatible with different tubes

It's versatile, accommodating both round and square tubes with diameters of 28 to 62 mm.

© Design registered in the EU and UK

www.admiralstaging.com

DIMENSIONS




TECHNICAL DATA

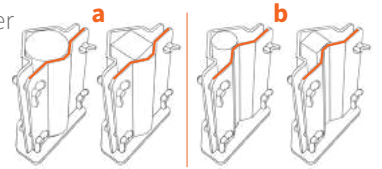
Mono stand

Article code:	TRHMSP50B
EAN:	8720094420349
Max load:	60 kg
Material:	aluminium
Dimensions:	140 x 80 x 207 mm (L x W x H)
Weight:	0.9 kg
Colour:	black powder coated gloss 30% (RAL 9005)

The positioning of the front plate depends on the diameter of the tube.

28 mm - 38 mm: (a) 

48 mm - 62 mm: (b) 



© Design registered in the EU and UK

VARIATIONS



ADMIRAL
STAGING

| www.admiralstaging.com | Josink Kolkweg 10 | 7545 PR Enschede | The Netherlands | Tel: +31 53 4 301 201 |