

GENERAL INFORMATION

The Source Four CE Mini can go where no full-sized Source Four has gone before. ETC's 12V 50 watt Source Four Mini features the same crisp optics, user-friendly functionality and sleek look of the legendary Source Four luminaire, but in a compact format one-third its size.

The Source Four CE Mini has four field-angle choices and available in a portable version for clamp or bolt mounting with the transformer mounted on the yoke, a canopy ceiling-mount and a 3-circuit track adapter design with integrated transformer. Surprisingly bright for its size, the Mini offers crystal-clear image projection and a bright, even field.

VENUES

- Museum
- Retail shop
- Restaurant
- Hotel lobby
- Ballroom
- Theatre

FEATURES

- Rugged, die-cast aluminium fixture body
- Interchangeable lens tubes permit selection of 19°, 26°, 36° and 50° field angles
- Unique, efficient optical system
- Effective heat dissipation and cool beam, using dichroic reflector
- Three-plane shutters
- Long life 5,000h average tungsten light source
- Multiple mounting options: Hook clamp, Canopy and Track
- Custom paint colours available upon request

GENERAL

- CE compliant

ORDERING INFORMATION

SOURCE FOUR CE MINI LUMINAIRE:

PART NO	DESCRIPTION
7063A1220	19° Source Four Mini, Portable, UK connector, Black
7063A1221	26° Source Four Mini, Portable, UK connector, Black
7063A1222	36° Source Four Mini, Portable, UK connector, Black
7063A1223	50° Source Four Mini, Portable, UK connector, Black
7063A1200	19° Source Four Mini, Portable, EU connector, Black
7063A1201	26° Source Four Mini, Portable, EU connector, Black
7063A1202	36° Source Four Mini, Portable, EU connector, Black
7063A1203	50° Source Four Mini, Portable, EU connector, Black
7063A1013	Source Four Mini LV, Portable, Body only, Black (Without transformer for use in 12V environments).
7063A1204	19° Source Four Mini, Canopy, for install, Black
7063A1205	26° Source Four Mini, Canopy, for install, Black
7063A1206	36° Source Four Mini, Canopy, for install, Black
7063A1207	50° Source Four Mini, Canopy, for install, Black
7063A1230	19° Source Four Mini, 3-circuit track adapter, Black
7063A1231	26° Source Four Mini, 3-circuit track adapter, Black
7063A1232	36° Source Four Mini, 3-circuit track adapter, Black
7063A1233	50° Source Four Mini, 3-circuit track adapter, Black

NOTES: When ordering other colours than Black, please add -1 for White or -5 for Silver Grey to part number.

Track adapter by EUTRAC and compatible with tracks from other popular makes. Consult the appropriate manufacturer for advise.

SPECIFICATIONS

PHYSICAL

- Die cast aluminium construction (A380 grade)
- Fine-texture, high-temperature powder-coated paint
- Steel yoke with 10.3mm diameter mounting hole
- Rotating shutter assembly $\pm 175^\circ$
- Removable rear housing for easy lamp replacement
- Stainless steel shutters in a tri-plane assembly
- Fixed field angles to suit a range of throw distances
- Tool-free pan, tilt and beam adjustment
- High impact resistant, thermally insulated knobs and shutter handles
- Captive accessory slot for gobo pattern holder (included)
- Dual captive accessory slots for colour frame (included) and top hats
- Portable-
 - Yoke mounted 12v transformer in colour matched enclosure (Black enclosure for silver grey fixtures)
 - 90cm power cable with UK or EU connector
- Install Canopy (ceiling mount)-
 - Colour matched, powder coated canopy mount with integral 12v transformer (included)
 - Canopy dimensions: \varnothing 135mm x 26.5mm(H)
 - Installation hardware included
 - Fixture to canopy factory pre-wired for easy install
 - Built-in rotation stop
- Track Mount-
 - EUTRAC 3-circuit adapter, compatible with popular tracks
 - Integral 12v transformer, factory installed in colour matched adapter (Black adapter for silver grey fixtures)
- Black or white power lead from fixture to transformer

ELECTRICAL

- 230V/12V Class 2 potted electronic halogen Transformer
- 230V AC 50-60 Hz input power
- Power factor: 0.96
- Input current: 0.28 A
- Output voltage: 11.7V
- Dimmable by most forward or reverse phase dimmers
 - (Reverse phase dimmers are recommended for best performance. Forward phase dimming may result in an audible noise and should be tested before installation)
- CE compliant

SPECIFICATIONS (CONT.)

LAMP*

- Ushio 50W Eurostar™ IR MR-16 lamp (included)
- Long life lamp: 5000h average lamp life
- 35° flood beam spread
- 3000K colour temperature
- Halogen capsule cuts harmful UV
- Titanium oxide coating provides consistent colour throughout lamp life
- Axial Filament
- Base type: GU5.3

*Any high quality MR16 dichroic reflector halogen lamp 50W or lower wattage may be used, as long as it provides a beam spread of approx. 35°

OPTICAL

- Options of 19°, 26°, 36° and 50° field angle Lens tubes available
- Projector-quality, high contrast lenses
- Beam continually adjustable for hard-to-soft edge

THERMAL

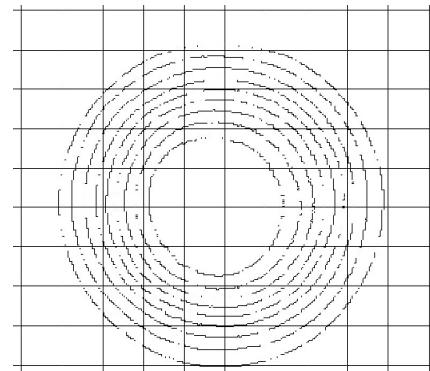
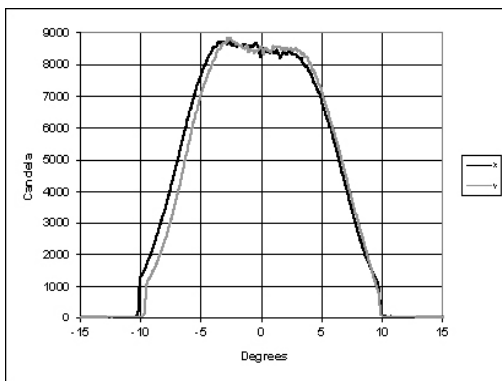
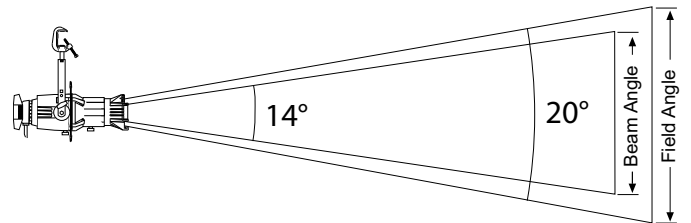
- 0°C to +40°C ambient operating environment

PHOTOMETRY (Calculations performed using calibrated Ushio 50W Eurostar™ IR MR-16 lamp)

19 degree

FIELD LUMENS	BEAM LUMENS	BEAM ANGLE	FIELD ANGLE	CANDELA	LUMENS PER WATT
440	320	14.1°	19.6°	8,830	8.76

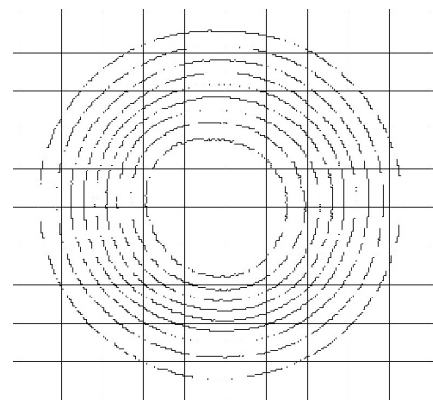
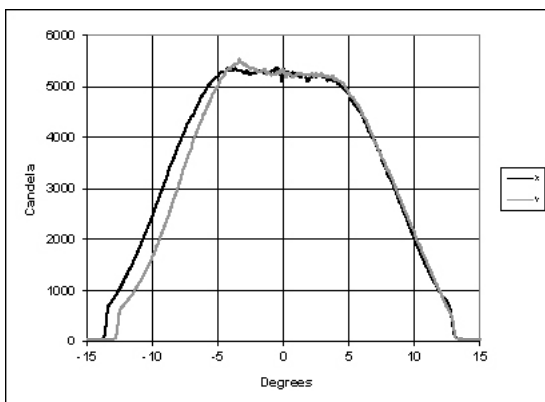
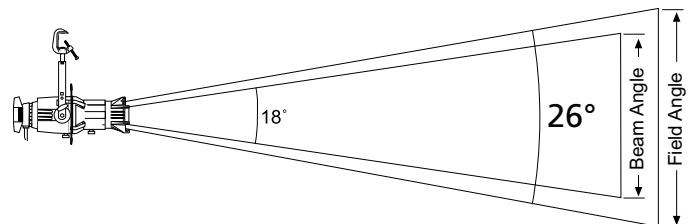
THROW DISTANCE	3.0m	4.6m	6.1m	9.1m
FIELD DIAMETER	1.0m	1.6m	2.1m	3.1m
ILLUMINANCE (FC)	88.3	39.2	22.1	9.8
ILLUMINANCE (LUX)	950	422	238	106



26 degree

FIELD LUMENS	BEAM LUMENS	BEAM ANGLE	FIELD ANGLE	CANDELA	LUMENS PER WATT
460	320	18.2°	25.8°	5,500	9.12

THROW DISTANCE	3.0m	4.6m	6.1m	9.1m
FIELD DIAMETER	1.4m	2.1m	2.8m	4.2m
ILLUMINANCE (FC)	55.0	24.4	13.8	6.1
ILLUMINANCE (LUX)	592	263	148	66

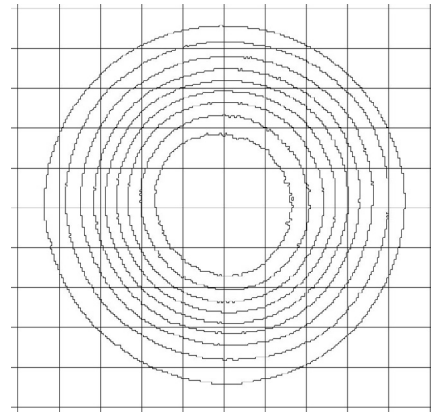
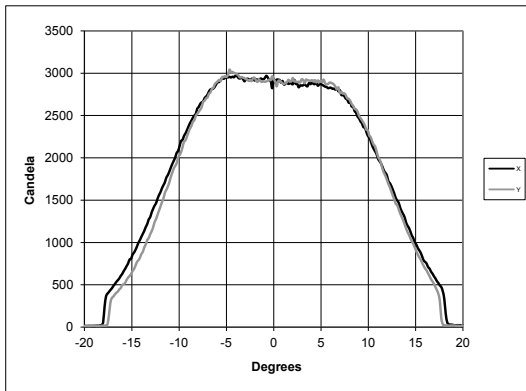
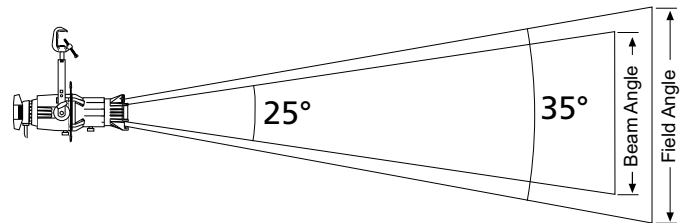


PHOTOMETRY

36 degree

FIELD LUMENS	BEAM LUMENS	BEAM ANGLE	FIELD ANGLE	CANDELA	LUMENS PER WATT
480	330	25.2°	35.3°	3,030	9.56

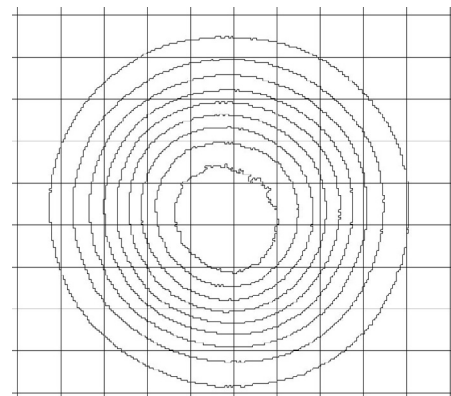
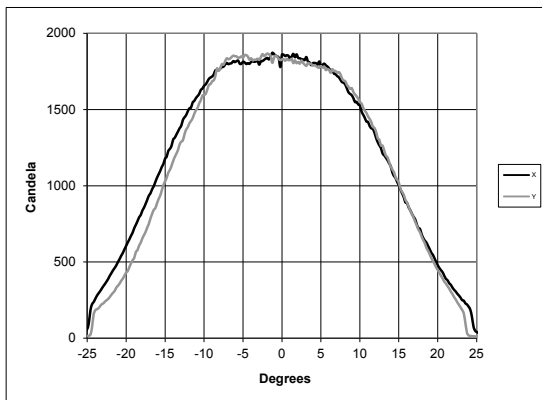
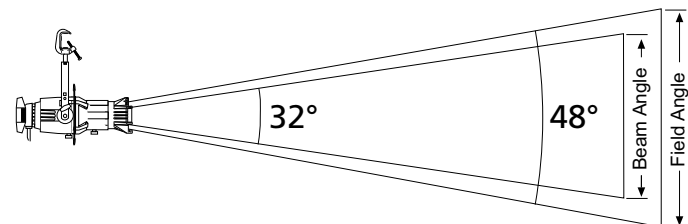
THROW DISTANCE	3.0m	4.6m	6.1m	9.1m
FIELD DIAMETER	1.9m	2.9m	3.9m	5.8m
ILLUMINANCE (FC)	30.3	13.5	7.6	3.4
ILLUMINANCE (LUX)	326	145	82	36



50 degree

FIELD LUMENS	BEAM LUMENS	BEAM ANGLE	FIELD ANGLE	CANDELA	LUMENS PER WATT
500	320	32.2°	48.0°	1,940	9.96

THROW DISTANCE	3.0m	4.6m	6.1m	9.1m
FIELD DIAMETER	2.7m	4.1m	5.4m	8.1m
ILLUMINANCE (FC)	19.4	8.6	4.9	2.2
ILLUMINANCE (LUX)	209	93	52	23

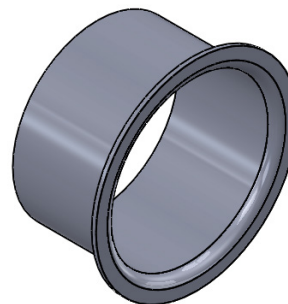


ACCESSORIES

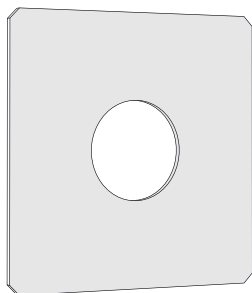
Accessories

PART NO	DESCRIPTION
7063A2002	Source Four Mini 19° Lens Tube, Black
7063A2006	Source Four Mini 26° Lens Tube, Black
7063A2007	Source Four Mini 36° Lens Tube, Black
7063A2008	Source Four Mini 50° Lens Tube, Black
RT226	MR16 12V/50W 35° Eurostar IR lamp (Spare)
7063A3014	Colour Frame, Black (Spare)
7063A2010	Gobo Pattern Holder, E-Size (Spare) - Aperture Ø 37.5mm, Ø 25.4mm image size recommended.
PSF1105	Top Hat, Black
PSF1106	Top Hat Short, Black
PSF1107	Half Hat, Black
PSF1108	Half Hat Short, Black
7063A3014	Donut

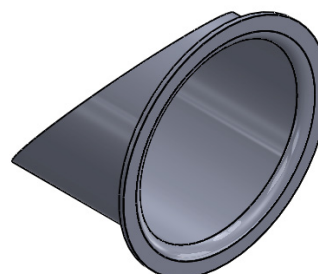
NOTE: When ordering other colours than Black, please add -1 for White or -5 for Silver Grey to part number



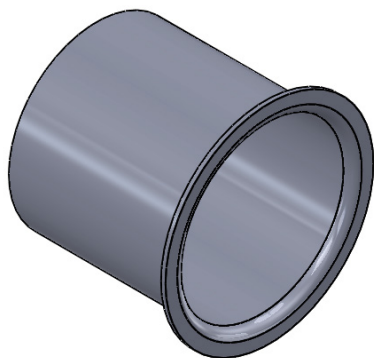
PSF1106



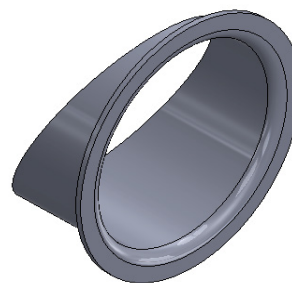
7063A3014



PSF1107



PSF1105



PSF1108

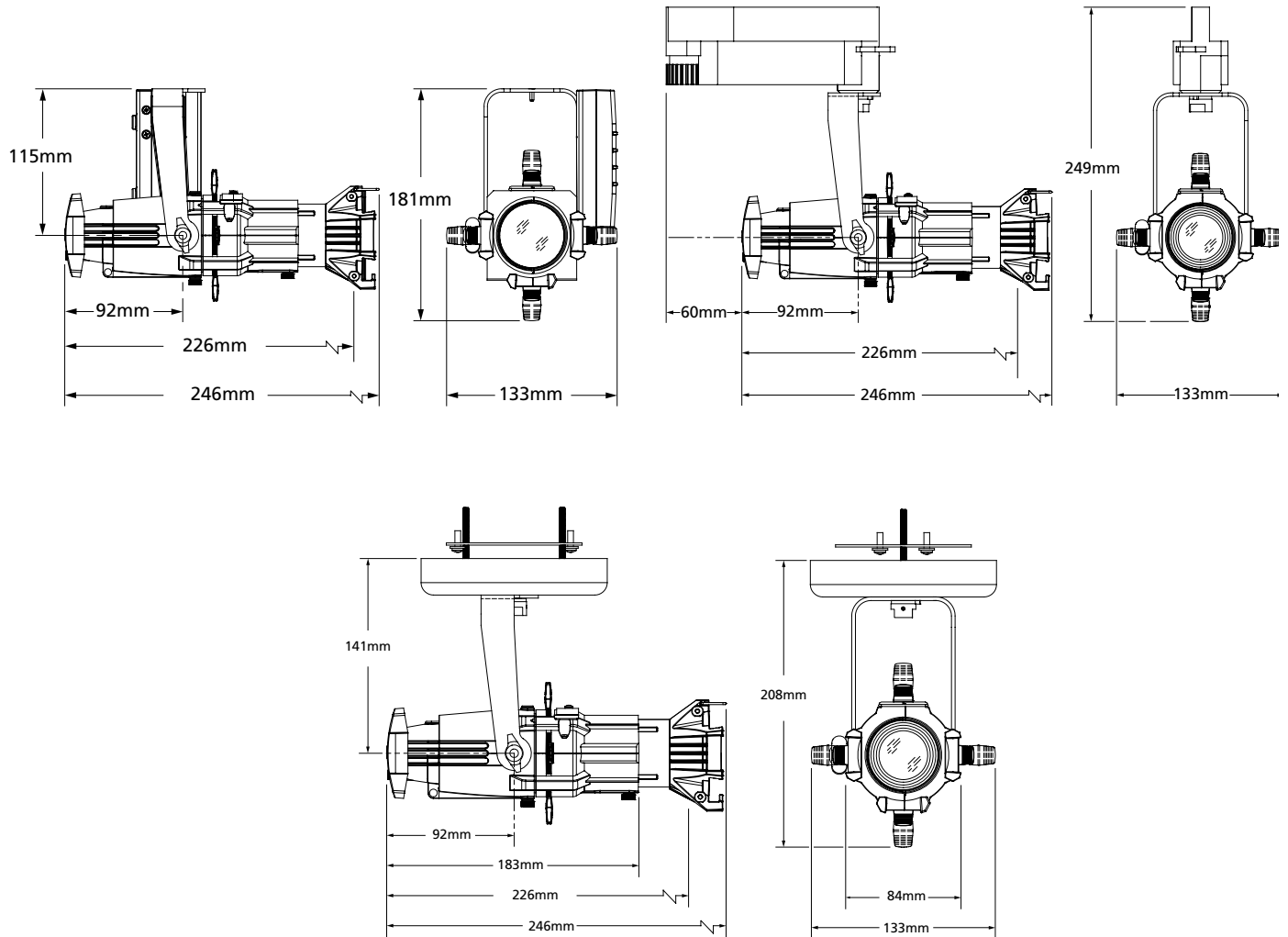
PHYSICAL

Source Four CE Mini Weights and Dimensions*

MODEL	WEIGHT	SHIPPING WEIGHT
	kgs	kgs
Portable	1.2	1.7
LV Portable (body only)	0.8	1.4
Install Canopy	1.2	1.7
Track Mount	1.1	1.6

NOTE: Fixture without Lens tube - please reduce weights with 0.25kgs

*Shipping Dimensions: 320mm x 274mm x 152mm



Corporate Headquarters • 3031 Pleasant View Rd, PO Box 620979, Middleton WI 53562 0979 USA • Tel +1 608 831 4116 • Fax +1 608 836 1736

London, UK • Unit 26-28, Victoria Industrial Estate, Victoria Road, London W3 6UU, UK • Tel +44 (0)20 8896 1000 • Fax +44 (0)20 8896 2000

Rome, IT • Via Pieve Torina, 48, 00156 Rome, Italy • Tel +39 (06) 32 111 683 • Fax +44 (0)20 8752 8486

Holzkirchen, DE • Ohmstrasse 3, 83607 Holzkirchen, Germany • Tel +49 (80 24) 47 00-0 • Fax +49 (80 24) 47 00-3 00

Hong Kong • Room 1801, 18/F, Tower 1 Phase 1, Enterprise Square, 9 Sheung Yuet Road, Kowloon Bay, Kowloon, Hong Kong • Tel +852 2799 1220 • Fax +852 2799 9325

Web • www.etcconnect.com • Copyright©2014 ETC. All Rights Reserved. All product information and specifications subject to change. 7063L1001-GB Rev. G 12/2014

U.S. and international patents pending.