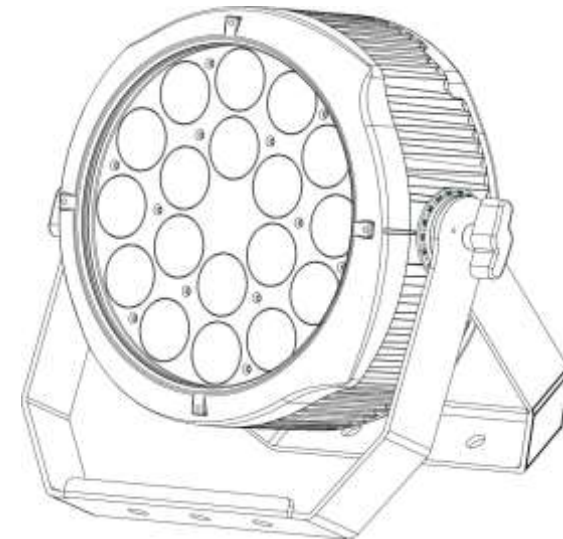


# *User manual*



## **PARLED**

### **1820W LED IP65**



Please read carefully before use

---

Please Note: Specifications and improvements in the design of this unit and this manual are subject to change without any prior written notice.

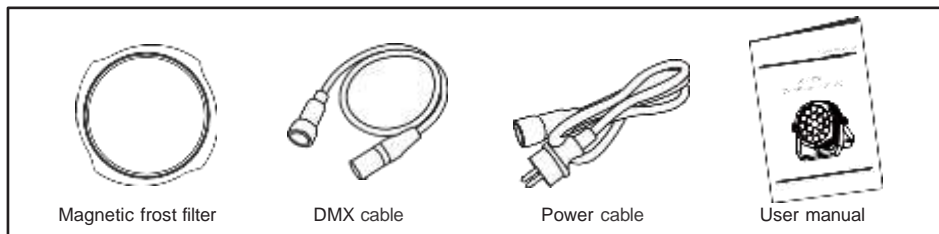
All the lights have been checked and are in excellent operating condition. Please check the shipping carton first because there may be damage that occurred during the shipment. Then check the lights carefully and be sure that the lights is intact and work normally. In the event damage has been found, spare parts are missing, or the lights works abnormally, please contact us for further instructions. And please don't return the lights to the dealer before contacting us.

**Introduction:** the fixture has three operating modes: DMX mode, Auto mode and Master/Slave mode. And the lights has five DMX modes, including channel 3, channel 4 , channel 6, and channel10 .There are ten built-in Auto programs and you can see ten kinds of shows when you open Auto mode. Meanwhile, you can edit your desired Auto program in "EDIT" manual addition, you can connect several pieces of lights in OMX mode and set one in Auto mode, and the others in Master/Slave mode. And then all the lights in Master/Slave mode will run following the one in Auto mode. Using fog or special effect smoke, you can see better showing effect.

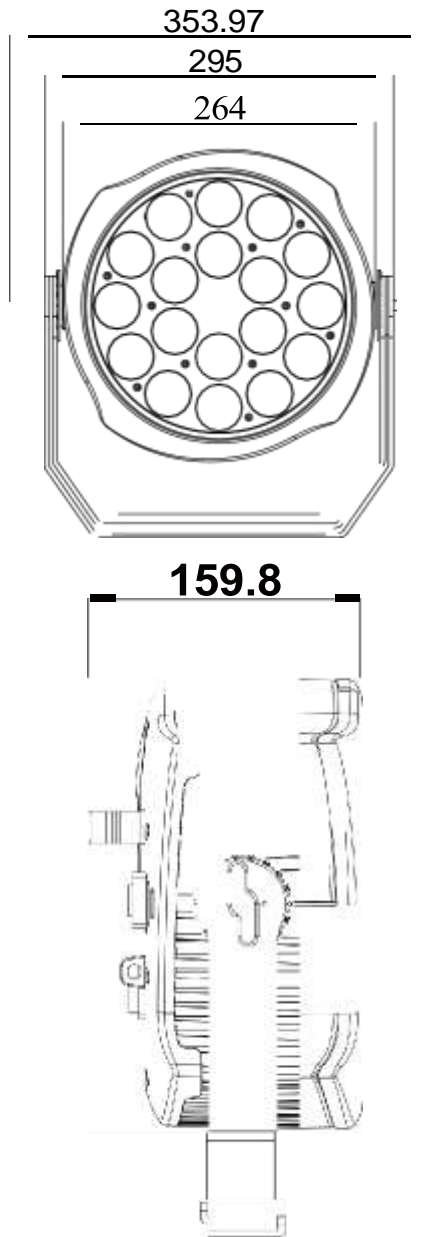
**Warning!**

1. Don't expose the lights to rain or moisture, for the sake of preventing the risk of electrical shock or fire.
2. Don't look directly at the opening lights all the time, or it may damage your eyes.

**UNPACKING AND PREPARATION**



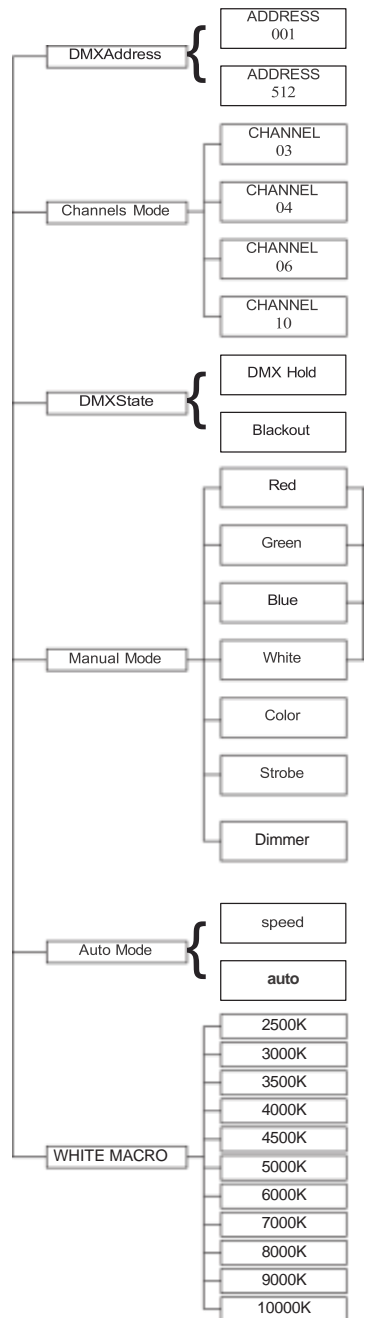
## Product Overview



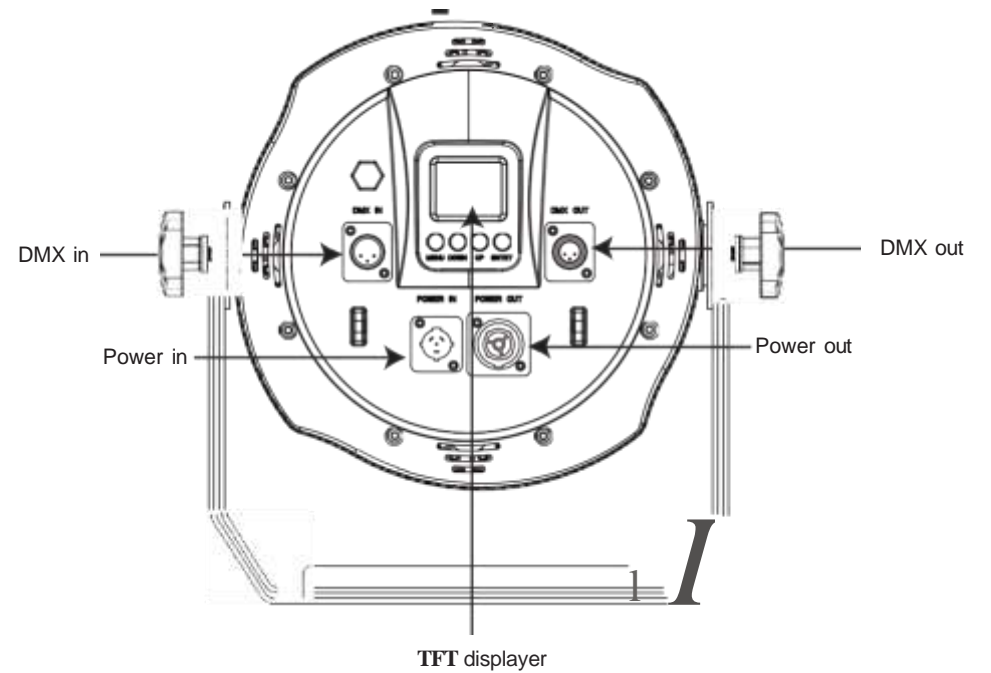
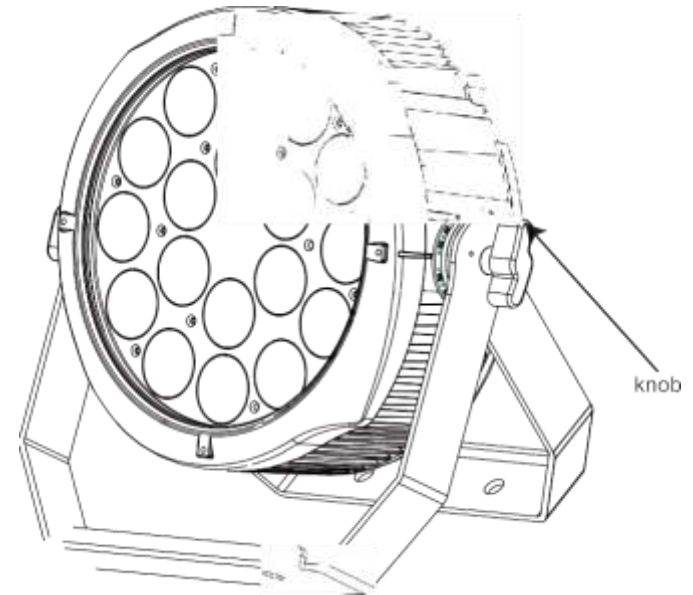
## Features

- Light Source: 18\*20W, 4 in 1 RGBW LEDs
- Lens: 8°, 15°, 25°, 45°, 60X10°
- Power consumption: 350W
- Voltage: AC 90V-270V,50/60Hz
- Run Mode: OMX 512 /Master Slave/Auto Run
- 10 internal programs and 11 customized programs.
- 4 different dimming curves
- 11 kinds of color temperature white
- Maximum 66 ID setting for easy separate control
- DMX Channels: 3, 4, 6, & 10 CH
- Built-in Effect: color mixing, variable color chasing, strobing, and fading.
- TFT displayer with four buttons
- Material: Aluminum body
- IP65
- Temperature: -30·C -45 ·C
- Dimension: 353.97X159X309mm
- N.W: 8.5KG
- G.W: 10KG

## Programme Menu



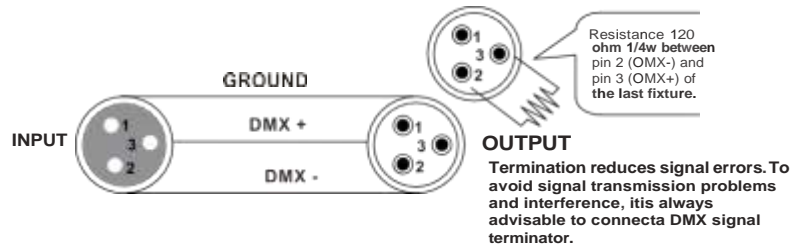
## Mechanical Specification



## CABLE CONNECTORS

Cabling must have a male XLR connector on one end and a female XLR connector on the other end.

### DMX connector configuration



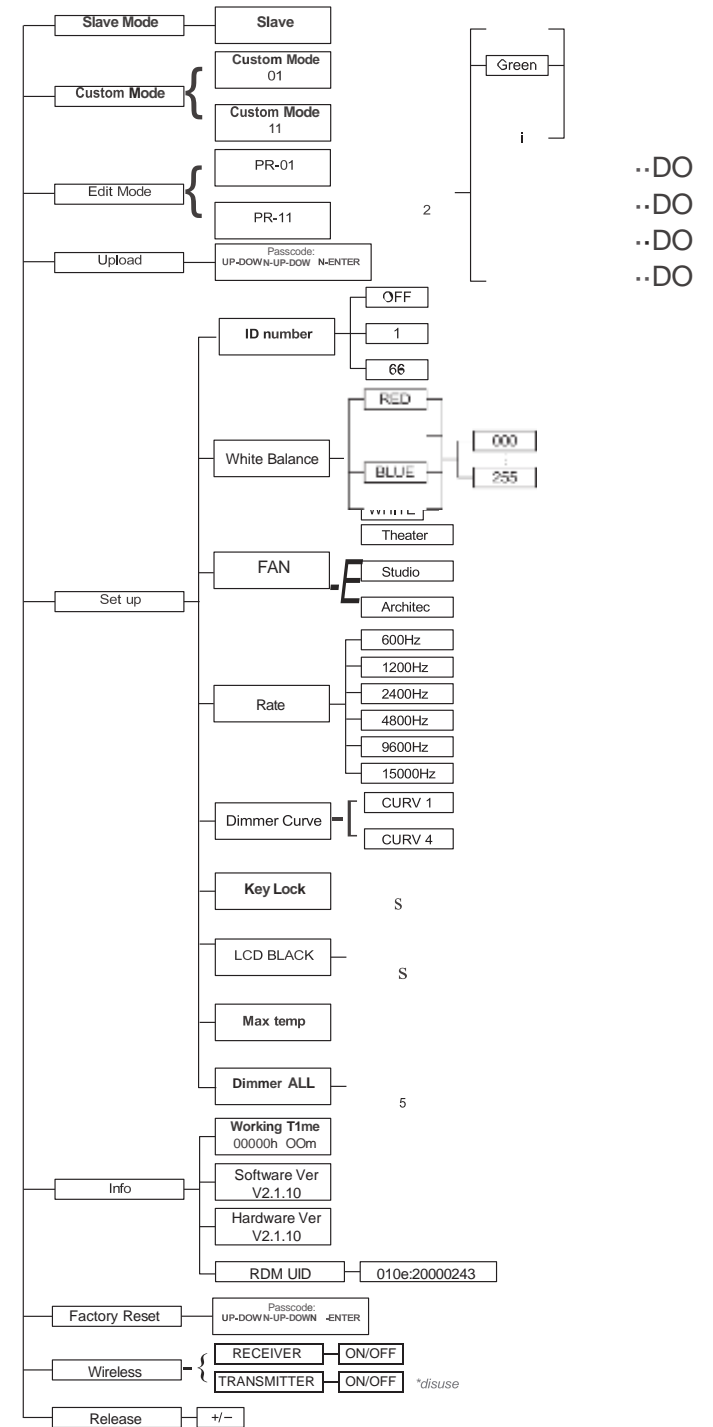
caution: Do not allow contact between the ground and the fixture's chassis ground. Grounding the ground can cause a ground loop, and your fixture may perform erratically. Test cables with an ohm meter to verify positive pole and to make sure the pins are not grounded or shorted to the shield or each other.

### 3-PIN TO 5-PIN CONVERSION CHART

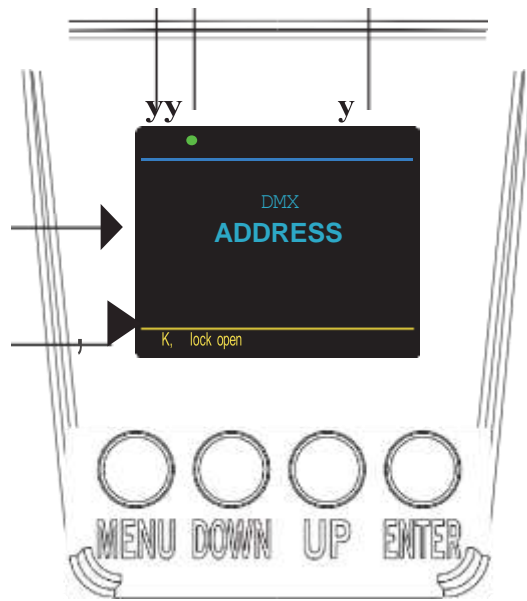
Note! If you use a controller with a 5 pin OMX output connector, you need to use a 5 pin to 3 pin adapter. The chart below details a proper cable conversion:

3-PIN TO 5-PIN CONVERSION CHART

Conductor	3 Pin Female (output)	5 Pin Male (Input)
Ground/Shield	Pin 1	Pin 1
Data ( - ) signal	Pin 2	Pin 2
Data ( + ) signal	Pin 3	Pin 3
Do not use		Do not use
Do not use		Do not use



## Displayer introduction



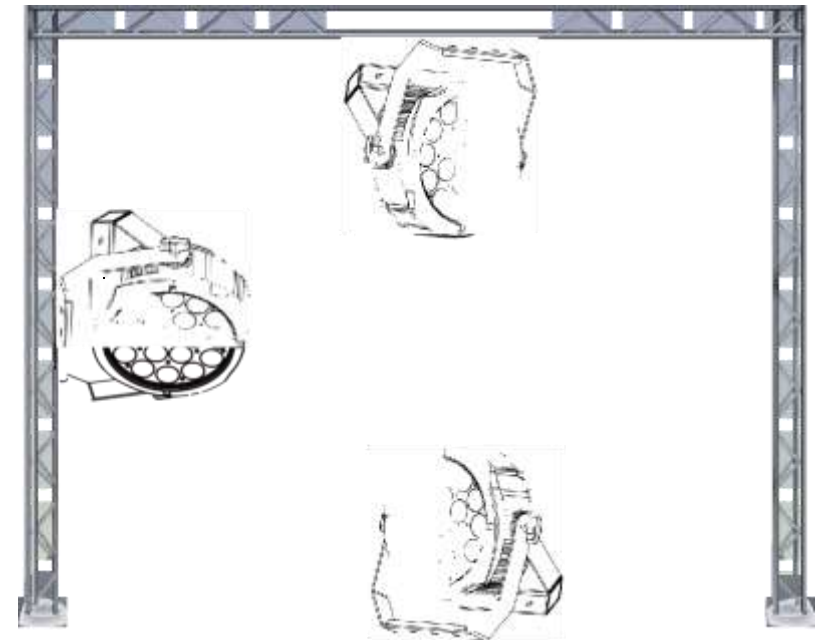
1. DMX means the light is in the DMX mode. Similarly. SLAVE means the light is in the SLAVE mode.
2. The color of the point shows the condition of signal transmission. Green represents the good condition, while red represents the signal is interrupted.
3. The item shows the working temperature of the light. When the working temperature exceeds the max temperature. The color of the letters and number will change from white to yellow.
4. This item shows the menu you selected.
5. This item shows the condition of key lock. "Key lock open" means the key lock is open. And "Key lock off" means the key lock is close.

## Mounting

When installing the unit, the trussing or area of installation must be able to hold 10 times the weight without any deformation. When installing the unit must be secured with a secondary safety attachment, e.g. and appropriate safety cable. Never stand directly below the unit when mounting, removing, or servicing the unit.

Overhead mounting requires extensive experience, including calculating working load limits, installation material being used, and periodic safety inspection of all installation material and unit. If you lack these qualifications, do not attempt the installation yourself.

The installation should be checked by a skilled person once a year.



The Leno Pocket Spot is fully operational in two different mounting positions, hanging upside-down from a ceiling or set on a flat level surface. To avoid internal damage to the unit, never mount the unit on its side as illustrated *above*. Be sure this fixture is kept at least 0.5m away from any flammable materials (decoration etc.). And you'd better use and install the supplied safety cable as a safety measure to prevent accidental damage and/or injury in the *event* the clamp fails (see next page).

## UPLOAD



First, set one light, which involves the program you have edited in EDIT menu and want to upload, in Master mode, and others in Slave mode.

Then, connect all the lights with OMX cables. Finally, select the UPLOAD menu of the Master light and press ENTER. All the programs edited in the Master light will be uploaded to the Slave lights.

OMX Address-In this menu, you can select the OMX Address.

1. Press "ENTER" button and then UP or DOWN button until "OMX Address" is showed.
2. Press "ENTER" button, and "OMX Address" will be showed. Then press ENTER.
- 1) "xxx" will be showed, "xxx" represents the showed address. You can press the UP or DOWN button to select your desired address.

Channels Mode-In this menu, you can connect several pieces of lights with OMX cable and control them with control console.

1. Press "ENTER" button and then UP or DOWN button until "Channels Mode " is showed.
2. Press "ENTER" button, and "Channels Mode" will be showed. Then press ENTER.
- 1) "Channel [xx]" will be showed, "X" represents the showed OMX channel mode. You can press the UP or DOWN button to select your desired Channel mode.

OMX State-In this menu, you can learn about the information of OMX Hold and Blackout.

1. Press "ENTER" button and then UP or DOWN button until "OMX State" is showed.
2. Press "ENTER" button, and "OMX Hold" or "Blackout" will be showed. Then press ENTER, and you can select your desired mode.

Manual Mode-In this menu, you can adjust the value of static color and strobe speed as you like.

1. Press "ENTER" button and then UP or DOWN button until "Manual Mode" is showed.
2. Press "ENTER" button, and there are six options. Then press ENTER to select the option and press UP or DOWN button to select the value you desire as below:
  - 1) RED - You can adjust the red brightness in this menu.
  - 2) GREEN - You can adjust the green brightness in this menu.
  - 3) BLUE - You can adjust the blue brightness in this menu.
  - 4) WHITE - You can adjust the white brightness in this menu.
  - 5) COLOR -You can select 255 static color in this menu.
  - 6) STROB - You can adjust the strobe speed in this menu.

AUTO mode-In this menu, you can select your desire AUTO mode and adjust the running speed.

1. Press "ENTER" button and then UP or DOWN button until "AUTO mode" is showed.
2. Press "ENTER" button, and "SPEED" or "AUTO MODE" will be showed. Then press ENTER, and you can see two items as below:
  - 1) SPEED - You can select your desired speed in this menu.
  - 2) AUTO MODE -You can select your desired auto mode in this menu.

Slave Mode-In this menu, you can select SLAVE mode. In SLAVE mode, you can select one light as the MASTER light and other lights in SLAVE mode will run following the MASTER light.

1. Press "ENTER" button and then UP or DOWN button until "Slave MODE" is showed.
2. Press "ENTER" button, and "SLAVE" will be showed, then press ENTER to confirm.

CUSTOMER Mode-In this menu, you can select the AUTO program edited in the "EDIT" menu.

1. Press "ENTER" button and then UP or DOWN button until "CUSTOMER" is showed.
2. Press "ENTER" button, and there are 11 pre-programmed mode edited in the "EDIT" menu.

EDIT Mode-In this menu, you can edit your desired AUTO program.

1. Press "ENTER" button and then UP or DOWN button until "EDIT" is showed.

2. Press "ENTER" button, and open the "EDIT" mode to edit the custom programs from "PR.01" to "PR.11". And there are 32 scenes that can be edited in each custom program.
3. You can edit a scene by adjusting the value of "RED (0-255)", "GREEN (0-255)", "BLUE (0-255)", "WHITE (0-255)", "FADE (0-30)", "FLASH (0-30)", "STROBE (0-30)" & "TIME (0-30)" as you like. Then the data will be saved, when you press the ENTER button for 5 seconds.

UPLOAD-In this menu, you can connect several pieces of lights with MAX cables and set one light as the MASTER and others in SLAVE mode. Then upload the custom program in the MASTER light to the lights in SLAVE mode.

1. Press "ENTER" button and then UP or DOWN button until "UPLOAD" is showed.
2. Press "ENTER" button to upload the custom programs from the MASTER light to the SLAVE ones. The password is [UP] + [DOWN] + [UP] + [DOWN].

SET UP-In this menu, you can adjust the value of the function.

1. Press "ENTER" button and then UP or DOWN button until "SET UP" is showed.
2. Press "ENTER" button, and there will be nine options. Then, press ENTER to select the option and press UP or DOWN button to select the value you desire as below.
  - 1) ID number - You can select an ID Number in this menu. Then, you can adjust the value of channel 11 to the corresponding scope and control the light individually with control console.
  - 2) CAL WHITE- You can select the value of 11 different white color. And there are 11 pre-programmed White colors that can be edited by adjusting the value of "Red", "Green", "Blue", "White".
  - 3) LCD BLACK - In this item, you can select "ON" or "30S". If you select "ON", the displayer will be on all the time. And if you select "30S", the displayer will extinguish about ten seconds later.
  - 4) Key locks - You can select whether the password is ON or 30S in this menu, and the password is [UP]+ [DOWN]+ [UP]+ [DOWN]. If you select "ON", then you have to input the password before pressing the buttons. Otherwise, the light won't respond to your order.
  - 5) Max temp - You can set the your desired Max working temperature about the light in this menu. When the working temperature of the light exceeds the Max temperature, the color of letter "Temp xx°C" showed in the menu will change from white to yellow. Meanwhile, the light will adjust the working temperature automatically.
  - 6) Dimmer ALL - You can adjust the brightness of each color in this menu.
  - 7) Factory Reset - You can reset the light.

INFORMATION-In this menu, you can learn about the information of software, hardware and the working time of the light.

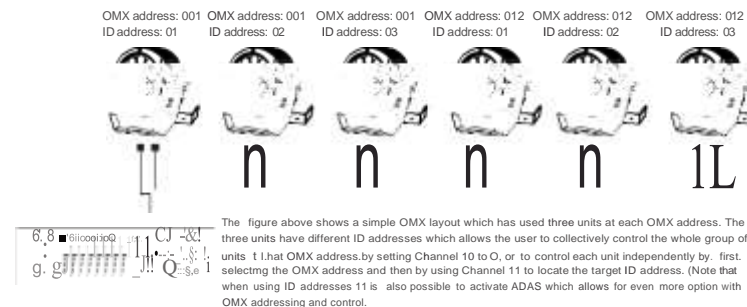
1. Press "ENTER" button and then UP or DOWN button until "INFORMATION" is showed.
2. Press "ENTER" button, and "Software" "Hardware" or "Fix times" will be showed. Then press ENTER, and you can see three items as below:
  - 1) Software - This item displays the Software information.
  - 2) Hardware - This item displays the Hardware information.
  - 3) Fix times - This item displays the working hours about the light.

RESET-In this menu, you can reset all the value of the system.

1. Press "ENTER" button and then UP or DOWN button until "RESET" is showed.
2. Press the ENTER button to reset all the value of the system.

## DMX-512 addressing with ID address

1. Follow instructions 1 for DMX 512 addressing.
2. Activate ID addressing in each fixture by setting panel function "ID ON/OFF" to ON. "Settings" to "ID ON/OFF" to "ON" For every DMX 512 starting address the user can set 66 separate ID addresses. Set ID addresses in each fixture by setting panel function " ID address" to incremental values.(1.e. 1, 12, 24, 36 etc...) "Settings" to "address" to "01-66".





Channel 10 (Id address set)

0--9	all ids	170--179	ld17	223	ld34	240	ld51
10--19	ld1	180--189	ld18	224	ld35	241	ld52
20--29	ld2	190--199	ld19	225	ld36	242	ld53
30--39	ld3	200--209	ld20	226	ld37	243	ld54
40--49	ld4	210	ld21	227	ld38	244	ld55
50--59	ld5	211	ld22	228	ld39	245	ld56
60--69	ld6	212	ld23	229	ld40	246	ld57
70--79	ld?	213	ld24	230	ld41	247	ld58
80--89	ld8	214	ld25	231	ld42	248	ld59
90--99	ld9	215	ld26	232	ld43	249	ld60
100--109	ld10	216	ld27	233	ld44	250	ld61
110--119	ld11	217	ld28	234	ld45	251	ld62
120--129	ld12	218	ld29	235	ld46	252	ld63
130--139	ld13	219	ld30	236	ld47	253	ld64
140--149	ld14	220	ld31	237	ld48	254	ld65
150--159	ld15	221	ld32	238	ld49	255	ld66
160--169	ld16	222	ld33	239	ld50		

## DMX control mode

DMX 3 channel

channel	value	function
	0 - 255	Hue
2	0 - 255	Saturation
3	0 - 255	Dimmer

DMX 4 channel

channel	value	function
1	0 - 255	Red
2	0 - 255	Green
3	0 - 255	Blue
4	0 - 255	White

DMX 6 channel

channel	value	function
	0 - 255	Dimmer
2	0 - 255	Strobe from slow to fast
3	0 - 255	Red
4	0 - 255	Green
5	0 - 255	Blue
6	0 - 255	White

DMX 10 channel

channel	value	function
1	0 - 255	Dimmer
2	0 - 255	Strobe from slow to fast
3	0 - 255	Red
4	0 - 255	Green
5	0 - 255	Blue
6	0-255	White
7	0 - 10	No function
	11 - 30	R 100% - G ↑ - B 0% - W 0%
	31 - 50	R ↓ - G 100% - B 0% - W 0%
	51 - 70	R 0% - G 100% - B ↑ - W 0%
	71 - 90	R 0% - G ↓ - B 100% - W 0%
	91 - 110	R ↑ - G 0% - B 100% - W 0%
	111 - 130	R 100% - G 0% - B ↓ - W 0%
	131 - 150	R 100% - G ↑ - B ↑ - W 0%
	151 - 170	R ↓ - G ↓ - B 100% - W 0%
	171 - 200	Full ON
	201 - 205	White 1
	206 - 210	White 2
	211 - 215	White 3
	216 - 220	White 4
	221 - 225	White 5
	226 - 230	White 6
	231 - 235	White 7
	236 - 240	White 8
241 - 245	White 9	
246 - 250	White 10	
251 - 255	White 11	

8	0 - 7	Default
	8 - 17	Auto 1
	18 - 37	Auto 2
	38 - 57	Auto 3
	58 - 77	Auto 4
	78 - 87	Auto 5
	88 - 97	Auto 6
	98 - 107	Auto 7
	108 - 117	Custom1
	118 - 127	Custom2
	128 - 137	Custom3
138 - 147	Custom4	
148 - 157	Custom5	
158 - 167	Custom6	
168 - 177	Custom7	
178 - 187	Custom8	
188 - 197	Custom9	
198 - 207	Custom10	
208 - 255	Custom11	
9	0 - 255	Speed CH8 if CH8 = 008 ... 107
10	ID	Indirizzi ID (see following table)