



ADMIRAL
STAGING

BASEPLATE DOLLY 2.0

Our updated Baseplate dolly 2.0 is equipped with PE holders, protecting your baseplates from getting scratched when loading them on and off the dolly. Sturdy 160 mm castors ensure a smooth ride over bumps and uneven surfaces.



KEY FEATURES

Design your own dolly

Build the perfect dolly by choosing the best suited frame, holders and castors for the type of baseplates you would like to transport.

Ergonomic design

The baseplate holders are equipped with a guide profile which allows you to comfortably place the plates onto the dolly, only moving into a vertical position at the last moment.

Can accommodate a flight case cover

The frame of the dolly has four cutouts which can be used to secure an optional flight case cover.

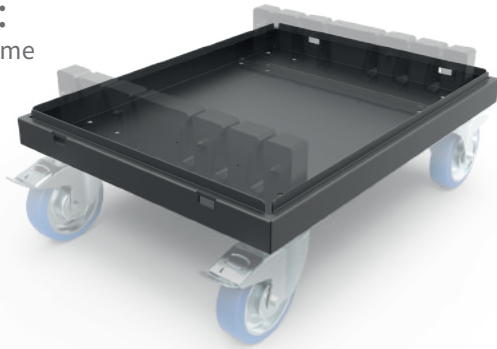
© Design registered in the EU

www.admiralstaging.com

TECHNICAL DATA

STEP 1:

Choose a frame

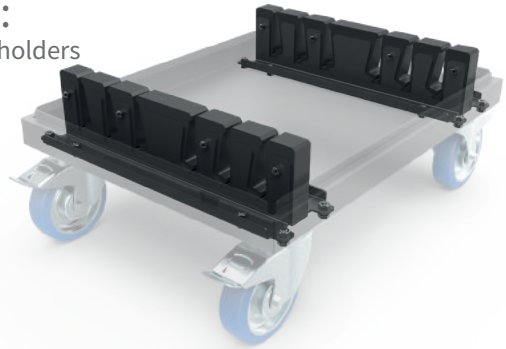


Frames lengths

For baseplate sizes	73 cm	80 cm	100 cm
Article code:	WAVLB073SB	WAVLB080SB	WAVLB100SB
Dimensions cm:	77 x 59 x 73	84 x 59 x 73	104 x 59 x 73
Material:	powder coated steel		
Colour:	black	black	black
Weight:	10.7 kg	11.4 kg	13.6 kg

STEP 2:

Choose the holders

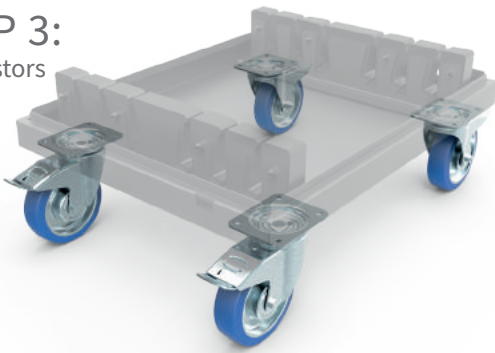


Holders

Types available:	6 mm	8 mm	10 mm
Article code:	WAVLSP06	WAVLSP08	WAVLSP10
Amount of plates:	6 x 6 mm	6 x 8 mm	4 x 10 mm
Material:	polyethylene	polyethylene	polyethylene
Colour:	black	black	black
Weight:	5.6 kg	5.6 kg	5.6 kg

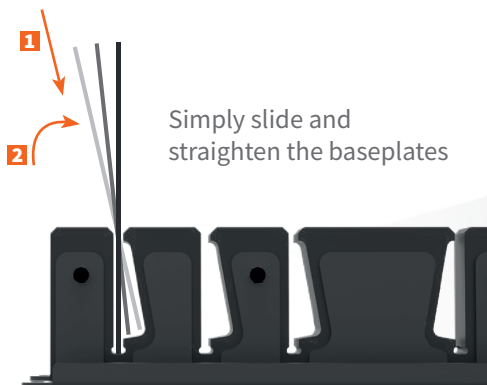
STEP 3:

Add castors



Castors set of 4

Sets available	4 x Swivel with brake
Article code:	WACS160A
WLL:	300 kg
Diameter:	160 mm



ADMIRAL
STAGING

| www.admiralstaging.com | Josink Kolkweg 10 | 7545 PR Enschede | The Netherlands | Tel: +31 53 4 301 201 |