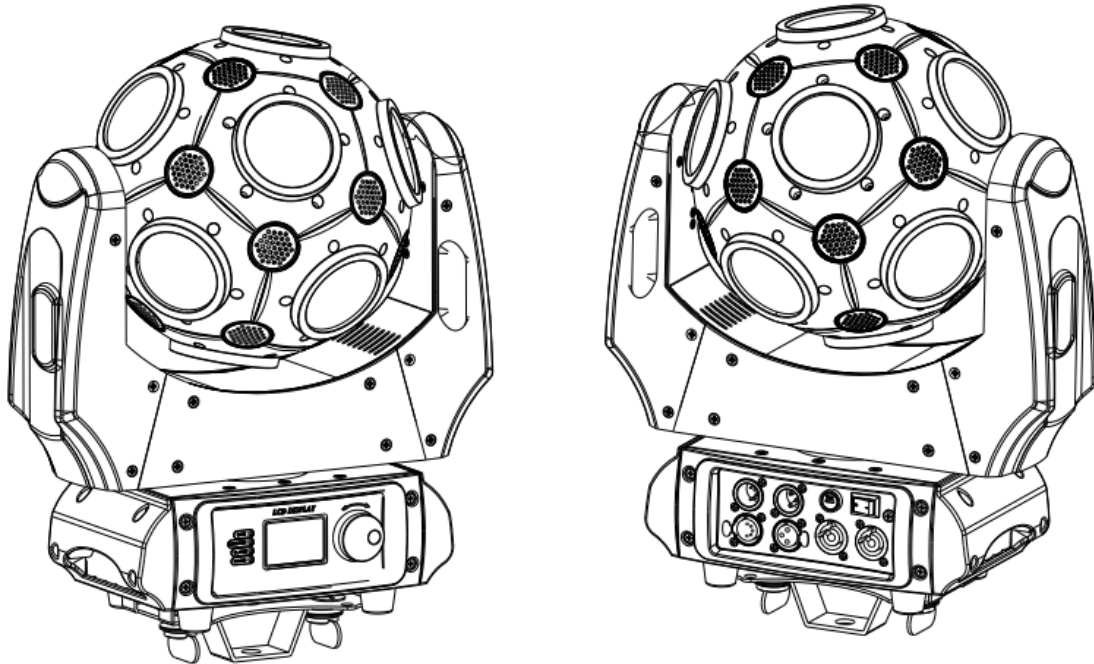


TOP-BALL12

User Manual



A. OPERATION

This fixture has affluent effect programs. It can be operated easily.

- DMX mode
- Master mode
- Slave mode
- Sound-active mode
- Manual mode

DMX Channels: 10/18/66channels

Pan: 540 °+non-polar

Tilt: 360 °+non-polar

LED dimming: 0~100% dimming smoothly

Indicator light LED function

DMX	Flash	DMX input
MASTER	Bright	Master mode
SLAVE	Flash	Slave mode
SOUND	Flash	Sound active mode

Rotation button function

Anticlockwise rotation	Choose next option
Clockwise rotation	Choose last option
Press	Affirm the function

DMX Channel Sheet

Function	DMX Value	Setting	10 Channels	18 Channels	66 Channels
Pan	000-255	0-540	1	1	1
Pan fine	000-255	0~100%		2	2
Tilt	000-255	0-360	2	3	3
Tilt fine	000-255	0~100%		4	4
P/T Speed	000-255	Speed from fast to slow		5	5
Pan non-polar	000-015	No function	3	6	6
	016-135	Forward slow to fast			
	136-255	Backward slow to fast			
Tilt non-polar	000-015	No function	4	7	7
	016-135	Forward slow to fast			
	136-255	Backward slow to fast			
Dimmer	000-255	0~100%	5	8	8
Linear and Fx Strobe	000-010	Strobe closed	6		
	011-128	Fx Strobe Speed from slow to fast			
	129-255	Linear Strobe Speed from slow to fast			
Linea Strobe	000-010	Strobe closed		9	9
	011-255	Linear Strobe Speed from slow to fast			
Fx Strobe	000-010	Strobe closed		10	10
	011-255	Fx Strobe Speed from slow to fast			
color	000-007	No function	7	11	11
	008-013	Color1(R255 G000 B000 W000)			
	014-020	Color2(R255 G000 B000 W100)			
	021-027	Color3(R255 G000 B000 W200)			
	028-034	Color4(R255 G050 B000 W000)			
	035-041	Color5(R255 G150 B000 W000)			
	042-048	Color6(R255 G255 B000)			

		W000)			
049-055		Color7(R255 G255 B000 W075)			
056-062		Color8(R000 G255 B000 W255)			
063-069		Color9(R000 G255 B000 W150)			
070-076		Color10(R000 G255 B000 W050)			
077-083		Color11(R000 G255 B000 W000)			
084-090		Color12(R000 G255 B050 W000)			
091-097		Color13(R000 G255 B150 W000)			
098-104		Color14(R000 G255 B255 W000)			
105-111		Color15(R000 G255 B255 W075)			
112-118		Color16(R000 G255 B255 W150)			
119-125		Color17(R000 G100 B255 W255)			
126-132		Color18(R000 G000 B255 W100)			
133-139		Color19(R000 G000 B255 W050)			
140-146		Color20(R000 G000 B255 W000)			
147-153		Color21(R075 G000 B255 W000)			
154-160		Color22(R160 G000 B255 W000)			
161-167		Color23(R255 G000 B255 W000)			
168-174		Color24(R255 G000 B175 W000)			
175-181		Color25(R255 G000 B100 W000)			
182-188		Color26(R255 G000 B100 W050)			
189-195		Color27(R255 G000 B025 W050)			

	196-202	Color28(R255 G000 B025 W025)			
	203-209	Color29(R255 G000 B025 W000)			
	210-216	Color30(R000 G000 B000 W255)			
	217-223	Color31(R075 G075 B000 W255)			
	224-230	Color32(R000 G000 B100 W255)			
	231-255	Color33(R255 G255 B255 W255)			
color running	000-015	No function	8	12	12
	016-023	Jump1			
	024-031	Jump2(pixel effect)			
	032-039	Jump3			
	040-047	Jump4(pixel effect)			
	048-055	Jump5			
	056-063	Jump6(pixel effect)			
	064-071	Jump7			
	072-079	Jump8(pixel effect)			
	080-087	Jump9			
	088-095	Jump10(pixel effect)			
	096-103	Jump11			
	104-111	Jump12(pixel effect)			
	112-119	Jump13			
	120-127	Jump14(pixel effect)			
	128-135	Jump15			
	136-143	Jump16(pixel effect)			
	144-151	Fade1			
	152-159	Fade2			
	160-167	Fade3			
	168-175	Fade4			
	176-183	Fade5			
	184-191	Fade6			
	192-199	Fade7			
200-207	Rainbow 1(pixel effect)				
208-215	Rainbow 2(pixel effect)				
216-223	Blue Red fade(pixel effect)				
224-231	Blue Green fade(pixel effect)				
232-255	Yellow Red fade(pixel effect)				
running speed	000-255	Speed from slow to fast	9	13	13
Function	000-005	No function	10	14	14

	006-010	Show1			
	011-020	Show2			
	021-030	Show3			
	031-040	Show4			
	041-050	Show5			
	051-060	Show6			
	061-070	Show7			
	071-080	Show8			
	081-090	Slave1			
	091-096	Slave2			
	097-160	Sound (sensitivity increasing from 097-160)			
	161-170	Pan invert			
	171-180	Tilt invert			
	181-190	Pan normal			
	191-200	Tilt normal			
	201-220	Black out during pan/ tilt movement			
	221-240	Reset after 5 seconds			
	241-255	No function			
Red	000-255	0~100%		15	15
Green	000-255	0~100%		16	16
Blue	000-255	0~100%		17	17
White	000-255	0~100%		18	18
Red1	000-255	0~100%			19
Green1	000-255	0~100%			20
Blue1	000-255	0~100%			21
White1	000-255	0~100%			22
Red2	000-255	0~100%			23
Green2	000-255	0~100%			24
Blue2	000-255	0~100%			25
White2	000-255	0~100%			26
Red3	000-255	0~100%			27
Green3	000-255	0~100%			28
Blue3	000-255	0~100%			29
White3	000-255	0~100%			30
Red12	000-255	0~100%			63
Green12	000-255	0~100%			64
Blue12	000-255	0~100%			65
White12	000-255	0~100%			66

Menu

Menu 1	Menu 2	Menu 3	Functions	Menu 1	
1)DMX Address	001 - 512			Address code setting	
2)Channel Mode	1:10Ch			Channel mode selection	
	2:18ch				
	3:66Ch				
3)Run Mode	1:DMX			DMX mode	
	2:Master	Show01-Show08		Auto run mode	
	3:Slave	Slave1		Slave mode	
		Slave2			
	4:Sound	000-255		Sound active sensitivity adjustment	
	5:Manual	1:Pan		0-255	Manual control mode
		2:Tilt		0-255	
		3:Red		0-255	
		4:Green		0-255	
		5:Blue		0-255	
		6:White		0-255	
7:Strobe			0-255		
Exit					
4)Functions	1:Pan Invert	Normal		Pan inverse?	
		Invert			
	2:Tilt Invert	Normal		Tilt inverse?	
		Invert			
	3:Dimmer Curve	1:Square Law		Dimming curves	
		2:Linear			
		3:S-Curve			
		4:InvSquare Law			
	4:DMX Fail	1:off		No DMX, signal clear	
		2:Hold		No DMX, signal keep	
		3:Auto		No DMX, signal auto run	
		4:Sound		No DMX, signal sound active	
		Exit			
	5:Display	1:Auto rotate			
		2:Normal			
		3:Inverted			
		Exit			
	6:Back Light	1:On		Always bright	
2:off			15S back-light off		
3:Adjust			01-10 Back-light brightness		

				adjustment
		Exit		
	7:Reset	Yes		Motor reset
		No		
	8:Factory Sets	Yes		Restore factory set
		No		
	9:Auto Test	Test		
		Exit		
	Exit			
5) Version				CPU version
Exit				
Under the 4) function of state, please press the button for 3s to enter password, then input 088 and enter Calibrations menu.				
4)Functions	Password (088) Calibrations	1:Pan	000-255	X axis position calibration
		2:Tilt	000-255	Y axis position calibration
		3:Default	127	Restore factory initial position
		Exit		

B. Menu description

a) DMX Address

- Select the DMX Address menu, press the button. And then rotate the button to set initial address code (001 ~ 512) .
- Once you have set initial address code, please press the button to save and go back to main menu.
- If you have not done anything for 20s, it will go back to main menu automatically.

b) Channel Mode

- Select the Channel Mode menu, press the button. And then rotate the button to select channel mode.
- Once you have set it well, please press the button to save and go back to the main menu.
- If you have not done anything for 20s, it will go back to main menu automatically.

c) DMX Mode

- Select the Run Mode menu, press the button to enter auto run mode.
- Please press the button to save and go back to the main menu.
- If you have not done anything for 20s, it will go back to main menu automatically.

- d) Mater Mode
- Select the Show Mode menu, press the button. And then rotate the button to select run mode 01-08.
 - Once you have set it well, please press the button to save and go back to the main menu.
 - If you have not done anything for 20s, it will go back to main menu automatically
- e) Slave mode
- Select the Slave Mode menu, press the button. And then rotate the button to select slave1 or slave2.
 - Once you have set it well, please press the button to save and go back to the main menu.
 - If you have not done anything for 20s, it will go back to main menu automatically.
- f) Sound active mode
- Select the Sound mode menu, press the button. And then rotate the button to select setting “Sens” .
 - Once you have set it well, please press the button to save and go back to the main menu.
 - If you have not done anything for 20s, it will go back to main menu automatically.
- g) Manual Control
- Select the Manual Control menu, press the button. And then rotate the button to select corresponding parameters.
 - Once you have set it well, please press the button to save and go back to the main menu.
 - If you have not done anything for 20s, it will go back to main menu automatically.
- h) Function
1. Pan Inverse
 - Select Pan Inverse menu, press the button. And then rotate the button to select settings: “Normal” (pan inverse) or “normal”.
 - Once you have set it well, please press the button to save and go back to the main menu.
 - If you have not done anything for 20s, it will go back to main menu automatically.
 2. Tilt Inverse
 - Select Tilt Inverse menu, press the button. And then rotate the button to select settings: “Normal” (tilt inverse) or “normal”.
 - Once you have set it well, please press the button to save and go back to the main menu.
 - If you have not done anything for 20s, it will go back to main menu automatically.
 3. Dimmer Curve
 - Select the Dimmer Curve menu, press the button. And then rotate the button to select setting:[1] (Square Law), Mode[2] (Linear), Mode[3] (S-curve) or Mode[4] (Inv Square Law) .
 - Once you have set it well, please press the button to save and go back to the main menu.
 - If you have not done anything for 20s, it will go back to main menu automatically.

4. DMX Fail

- Select DMX Fail menu, press the button. And then rotate the button to select settings: “OFF” (No DMX, lighting is off.) , “HOLD” (No DMX, lighting keeps the original state), “Auto”(No DMX, signal auto run), “Sound”(No DMX, signal sound active).
- Once you have set it well, please press the button to save and go back to the main menu.
- If you have not done anything for 20s, it will go back to main menu automatically.

5. Display

- Select Display menu, press the button. And then rotate the button to select settings: “Auto rotate”, “Normal” or “Inverted”.
- Once you have set it well, please press the button to save and go back to the main menu.
- If you have not done anything for 20s, it will go back to main menu automatically.

6. Back Light

- Select Back Light menu, press the button. And then rotate the button to select settings: “On” (It is bright for a long time.) , “Off” (No operation in 15s) or “Adjust” (Adjusting back-light brightness) .
- Once you have set it well, please press the button to save and go back to the main menu.
- If you have not done anything for 20s, it will go back to main menu automatically.

7. Reset

- Select Back Light menu, press the button. And then rotate the button to select settings: “Yes” (Motor resets.) , “No” (Exiting) .
- Once you have set it well, please press the button to save and go back to the main menu.
- If you have not done anything for 20s, it will go back to main menu automatically.

8. Factory Sets

- Select Factory Sets menu, press the button. And then rotate the button to select settings: “Yes” (Restore factory setting) , “No” (Exiting) .
- Once you have set it well, please press the button to save and go back to the main menu.
- If you have not done anything for 20s, it will go back to main menu automatically.

9. Auto Test

- Select Auto Test menu, press the button. The lighting will operate and test build-in program automatically.
- This time, please press the button to save and go back to the main menu.
- If you have not done anything for 20s, it will go back to main menu automatically.

10. Version

- Select Version menu, press the button. The led will show the version of the lighting.
- This time, please press the button to save and go back to the main menu.
- If you have not done anything for 20s, it will go back to main menu automatically.

11. Calibrations

- Under the function of state, please press the button for 3s to enter password, then input 088 and enter Calibrations menu. And then rotate the button to select settings: “Pan” (Calibrate X axis initialize position.) , “Tilt” (Calibrate Y axis initialize position.) “Default”(XY axis restore initial position).
- Once you have set it well, please press the button to save and go back to the main menu.
- If you have not done anything for 20s, it will go back to main menu automatically.

The logo for 'eco Stage Light' features the word 'eco' in a stylized, rounded font with a green dot above the 'o', followed by 'Stage Light' in a clean, sans-serif font.



DANOR Theatre & Studio systems, 9 Hanagar st.. Hod Hasharon, Israel Tel. 09-7444222

Fax.09-7466466