

#### miniFresnel ARCHITECTURAL FRESNEL LUMINAIRE FOR LOW VOLTAGE HALOGEN LAMPS



#### GENERAL

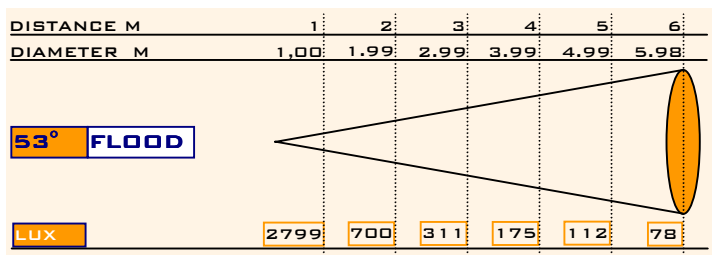
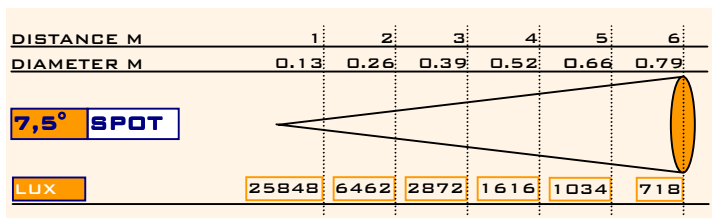
A small-size Fresnel luminaire for 24 V 150/250 W halogen lamps. Uniform projection, soft edges, compact size to allow general lighting of window displays, exhibition areas, hotels, shopping malls; variable beam from 7,5° to 53°.

For your installations, we have available aluminium mini trusses and main voltage tracks, along with a wide range of glass and gel coloured filters.

#### TECNICAL DATA

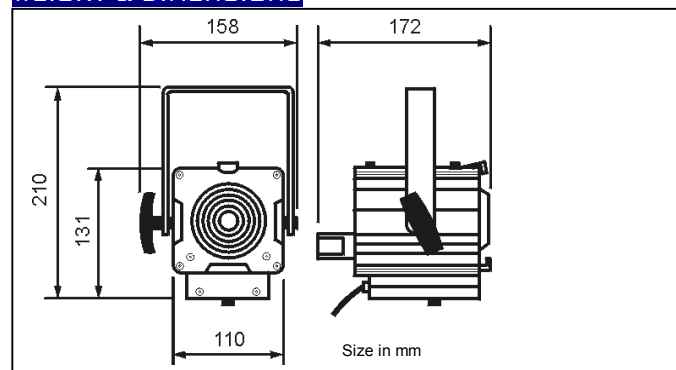
- 7,5° - 53° beam angle
- Extruded aluminium and steel housing
- Filter-frame locking system
- Yoke with 10 mm diameter hole, reversible for use in any position
- Heat insulated knobs and handles
- Easy focus adjustment by sliding knob
- Anti scratch epoxy resin paint (standard black)
- 1.5 m power supply cable (plug available on request)
- Standard 24V 50/60 Hz power supply (others available on request)
- Strain relief cable clamp
- Access for lamp maintenance via removable top cover
- 80 mm diameter fresnel lens
- Spherical reflector in 99,99 % polished and treated aluminium
- Compliance to CE EN 60598-2-17

#### PHOTOMETRIC DATA



Test with A1 216 Lamp

#### WEIGHT & DIMENSIONS



Net weight Kg 1.3 – Gross weight Kg 1.5 - Box volume m<sup>3</sup> 0.006

#### ORDER INFORMATION ACCESSORIES & OPTIONS

	CODE
• miniFresnel halogen 24V	MI FN LW

#### ACCESSORIES

• Colour filter frame	TC MINI
• 4-door rotatable barndoors	PL 4 MINI
• Motorized colour wheel	RM MINI
• Hook for mini trusses	MINI GAC
• Floor/wall mounting base	BASE-Q122-AS
• External transformer 150W 24V	TR ES 150/24

#### OPTIONS

• Other voltage version	on request
• Non standard paint finish	on request

#### LAMPS

Type/Order code	A1 216	* A1 223	JC 20H	* Alternate use
Power (W)	150	250	150	
Lampholder	G 6.35	G 6.35	G 6.35	
Luminous flux (lumen)	5200	10000	3000	
Life time (hours)	50	50	2000	
Colour temperature (°K)	3400	3400	3000	