

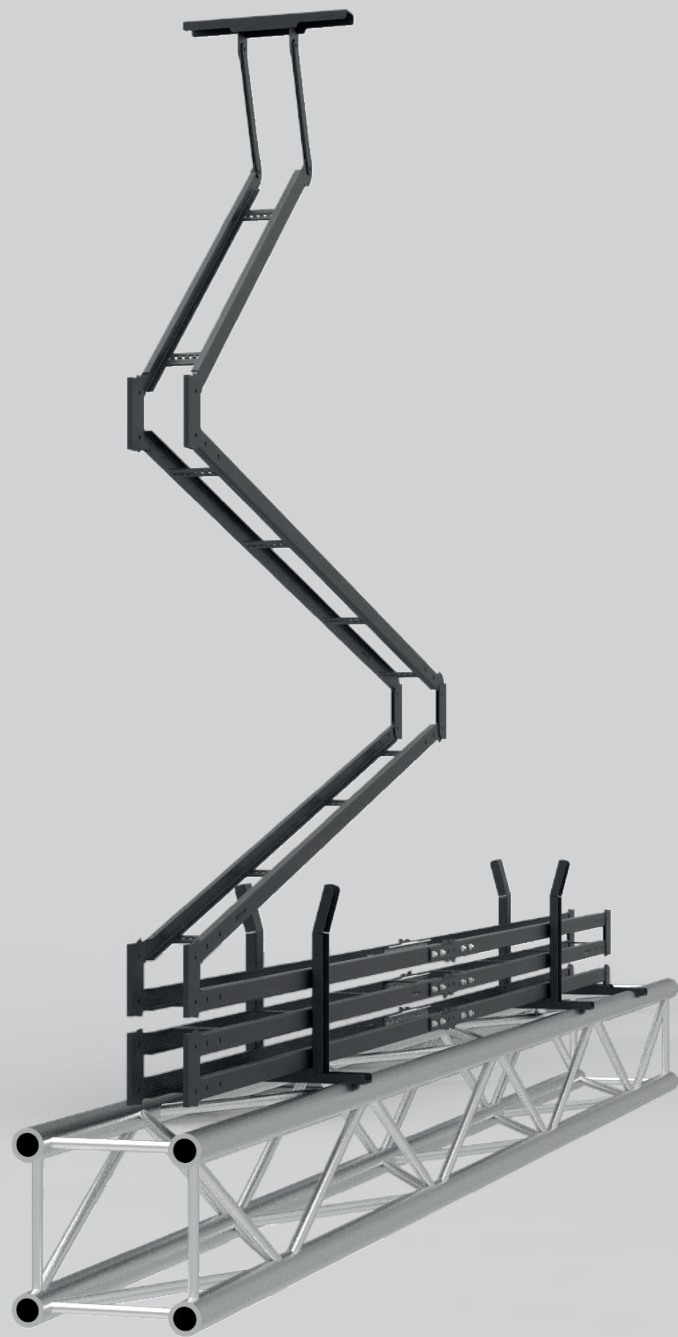


ADMIRAL
STAGING

Sturdy solution
for routing cables

BASIC CABLE GUIDE

Our Basic cable guide is a sturdy and reliable cable management solution for a clean-looking, solid suspension system. With a width of 110 mm the Basic Cable guide is perfect in installations where many cables need to be routed through. The bends make it possible to route cables including their connectors.



KEY FEATURES

Durable

The solid, sturdy design and the 2mm steel length profiles ensure long-term usage.

Wide gutters

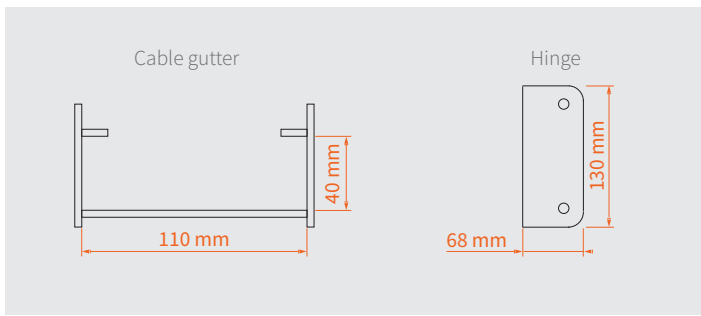
The Basic cable guide has a wide gutter capable of accommodating many cables.

Heavy-duty hinges

The hinge points are fitted with ball bearings in order to limit wear to a minimum and provide a lifetime of use.

www.admiralstaging.com

DIMENSIONS



TECHNICAL DATA

Basic cable guide

Article code: RIKGC...

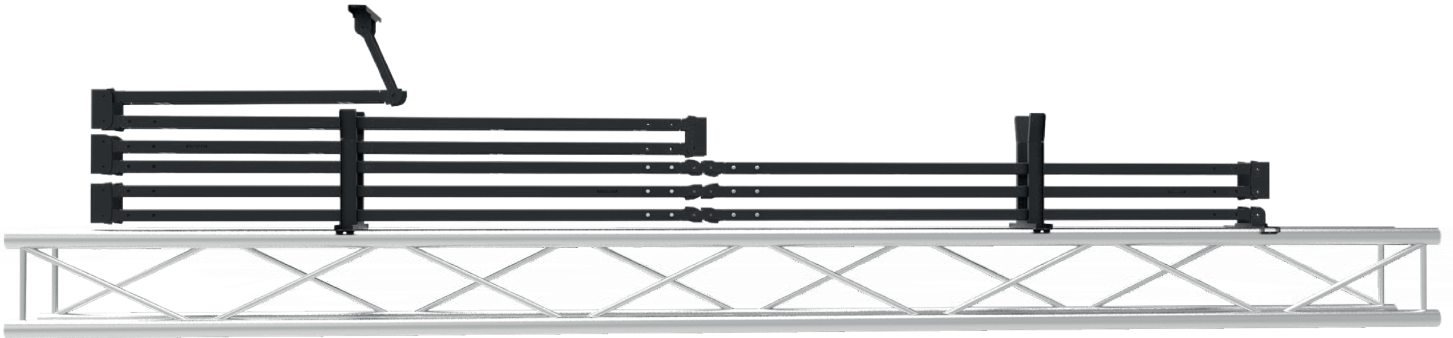
Material: powder coated steel

Dimensions: 2m Base height 3, 5, 7 and 9 m

3m Base height 4, 5, 6, 7, 8, 9, 10, 11, 12 and 14 m

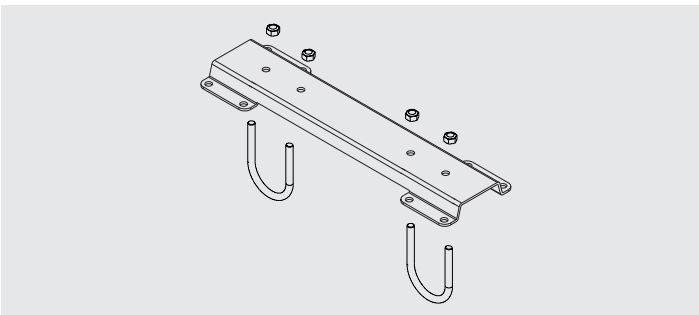
4m Base height 14, 15, 16, 17 and 20 m

INCLUDED



The Basic cable guides safety brackets provide support when the cable guide is folded and are used to install the cable guide to 30 truss.

BASIC CABLE GUIDE ADAPTER FOR 40 TRUSS



Basic cable guide adapter for 30 > 40-er truss

Article code: RIKGV3040

Material: powder coated steel

Colour: black

This adapter bracket can be used to mount the cable guide to a 40cm truss. The adapter is a length bar which will add length to the existing safety bracket.



ADMIRAL
STAGING

| www.admiralstaging.com | Josink Kolkweg 10 | 7545 PR Enschede | The Netherlands | Tel: +31 53 4 301 201 |