



# High Power LED Garden Light



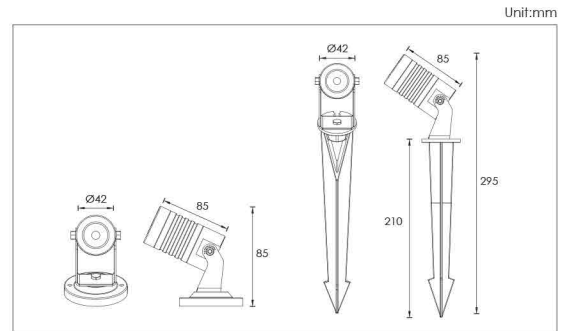
B3AB0157  
B3AB0106



B3AM0157  
B3AM0106

## Basic color selection

Sanded Brown RAL 8019	Mat Black RAL 9005	Silver Resistant Paint RAL 9006	Aluminum anodized



## Material specifications

Front cover&Housing	Aluminum anodized finishing or powder painting
lens	Optical lens,efficiency≥85%
Glass	Tempered glass,T=3mm
Cable gland	Nickel coated copper
Gasket	Tooling shaped seal
LED	IQ type power LED for RGB ,single color is OSRAM
PCB	Excellent heat conductivity aluminum,coefficient of heat Conductivity≥2.0w/mk
LED Driver	Constant Voltage Input,Constant Current Output
Operating temperature	-20°C~40°C
Power Cable	H05RN-F 2X1.0mm <sup>2</sup> L=2.0m(low voltage) H05RN-F 3X1.0mm <sup>2</sup> L=2.0m(high voltage) H05RN-F 4X0.75mm <sup>2</sup> L=2.0m(for RGB)



Item	Light source	Lens	The manufacturer selected lens degree(°)θ1/2	Input voltage(v)	Typical operating current(mA)	Typical consumption(w)	Typical luminance(lm)	IK rate
B3AB0157	1 × 2W	B33D	20°	24V DC 120/240	24V = 110 120V = 48 240V = 28	24V = 2.6 120V = 3.0 240V = 3.0	Cool white=149 Warm white=120	02
B3AB0106	1 × 3W RGB 3in1 Full color	B34D	30°	24V DC	R = 38 G = 53 B = 54	3.5	50	02
B3AM0157	1 × 2W	B33D	20°	24V DC 120/240	24V = 110 120V = 48 240V = 28	24V = 2.6 120V = 3.0 240V = 3.0	Cool white=149 Warm white=120	02
B3AM0106	1 × 3W RGB 3in1 Full color	B34D	30°	24V DC	R = 38 G = 53 B = 54	3.5	50	02