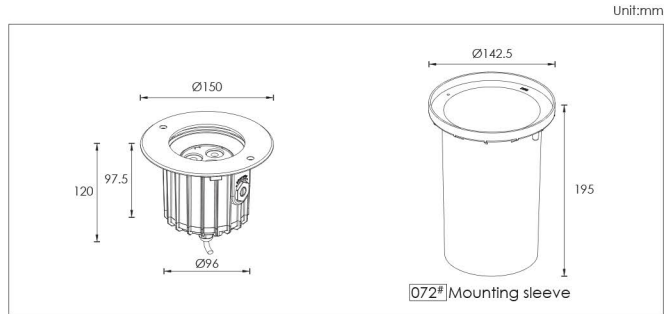
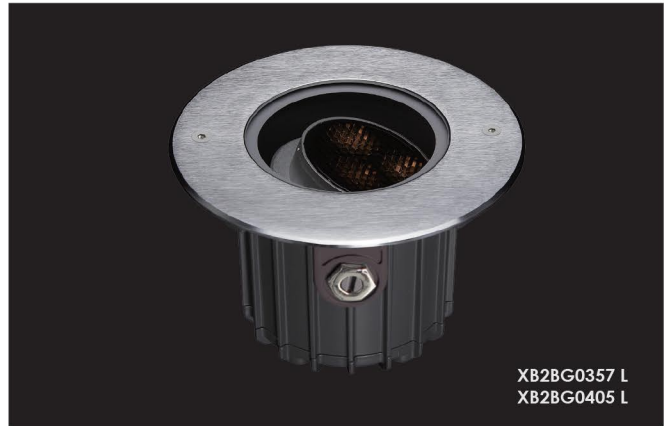




Beam Angle Adjustable Inground Light



Material specifications

| | |
|-------------------------|--|
| Housing | 12# Die-casting grey powder coated aluminum. T=60-80µm Adhesion of ISO class 1/ASTM class 4B |
| Front cover | Hard chromeplated stainless steel SUS 316L# |
| Glass | Step tempered glass.T=8mm |
| Lens | Optical lens efficiency≥90% |
| LED | OSRAM LED |
| Glass pressure capacity | Full area=783kgs |
| Cable gland | IP-68 PG-9 PVC |
| Gasket | Molding shaped silicone seal |
| LED Driver | Constant Voltage Input,Constant Current Output |
| Operating temperature | -20°C~40°C |
| Power Cable | H05RN-F 3X1.0mm ² L=0.5m(high voltage) H05RN-F 4X0.75mm ² L=0.5m(for RGB) |
| Mounting sleeve | ABS 072# |

| Item | Light source | Lens | The manufacturer selected lens degree(°)θ1/2 | Input voltage(v) | Typical operating current(mA) | Typical consumption(w) | Typical luminance(lm) | IK rate |
|-------------|--------------------------|------|--|-------------------|-----------------------------------|-----------------------------------|----------------------------------|---------|
| XB2BG0357 L | 3×2W | B33D | 20° | 24V DC 120/240 | 2 4 V=236 120V= 51 240V= 30 | 2 4 V=5.6 120V=6.0 240V=6.0 | Cool white=400 Warm white=282 | 09 |
| XB2BG0405 L | 4×1.5W RGB Full color | B2 | 30° | 24V DC | R =125 G=125 B =125 | 9 | 85 | 09 |