



Small Type-Underwater LED spot light

Completely Hard chromeplated Stainless Steel Housing & Accessory



LED Colour Temperature

- 2000K
- 3000K
- 6000K

Optics



B33(B33D/B33F)
L0109F023YH 9°
L0115D023YH 15°
L0120D023YH 20°
L0130D023YH 30°
L0145D023YH45°

B33(B33D/B33F)



9°(B33F)

15°

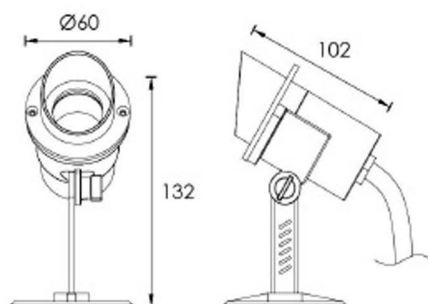
20°

30°

45°



Outer Dimensions Unit:mm

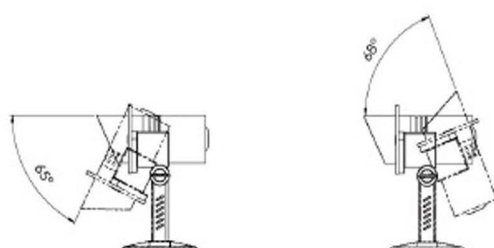


Warning:
Must be installed under the water to prevent the light from burning up because of over-heating.

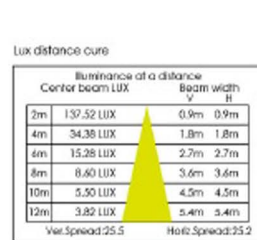
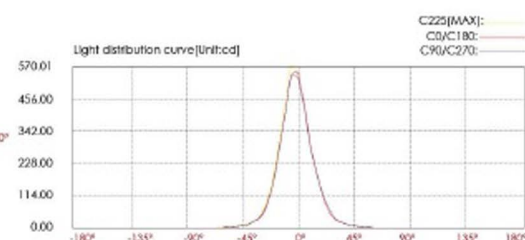
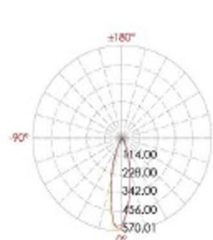
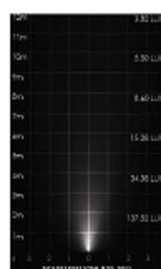
Material specifications

Housing	Hard chromeplated Molding shaped stainless steel SUS 316L*
Front cover	Hard chromeplated Stainless steel SUS 316L*
Light Window	Step tempered glass.T=7mm
Waterproof seal	EPDM gasket
Lens	Separate optical lens efficiency≥85%
Cable gland	IP-68 M1 6a copper with nickel-coated
PCB	Excellent heat conductivity aluminum.coefficient of heat Conductivity≥2.0w/mk
LED Driver	Constant Voltage Input,Constant Current Output
Power Cable	H07RN-F 2X1.0mm² L=3.0m
Application environment	Temperature of water between -20°C~40°C less than 1 meter depth.
Dimmable Support	Triac PWM 1-10 Dall

Adjustable beam direction



Item	Light source	Lens	The manufacturer selected lens degree(°)θ1/2	Input voltage(v)	Typical operating current(mA)	Typical consumption(w)	Typical luminance(lm)	IK rate
B5AF0158	1×3W	B33D	30°	24V DC	110	2.6	Cool white=174 Warm white=139	06



For more photometric data , please access Kapego website www.kapego.com