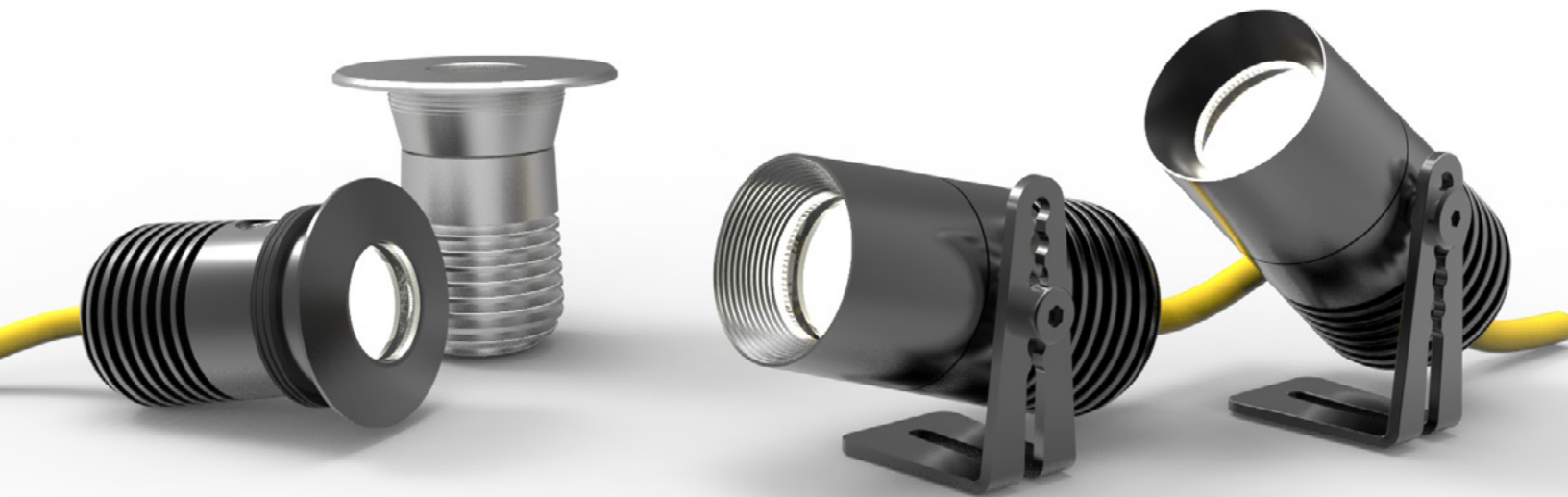


GINGER

IP67 Micro LED Spot Light



GINGER

IP67 Micro LED Spot Light

GINGER is a new line of spotlights affording a small and slick design and leading-edge technology. The series of spots includes both recessed and free-standing fixtures.

Although **GINGER** is small in size (only 70mm), it affords a mighty light output of 240lm, thanks to the new LuxeonT LED. Furthermore, **GINGER**'s dark-light design ensures a pure light without glare.

GINGER has a smart design, incorporating a unique cooling method, and a concealed cable PG, to provide a slim cutout where its anodized color lends the final touch of an artist.

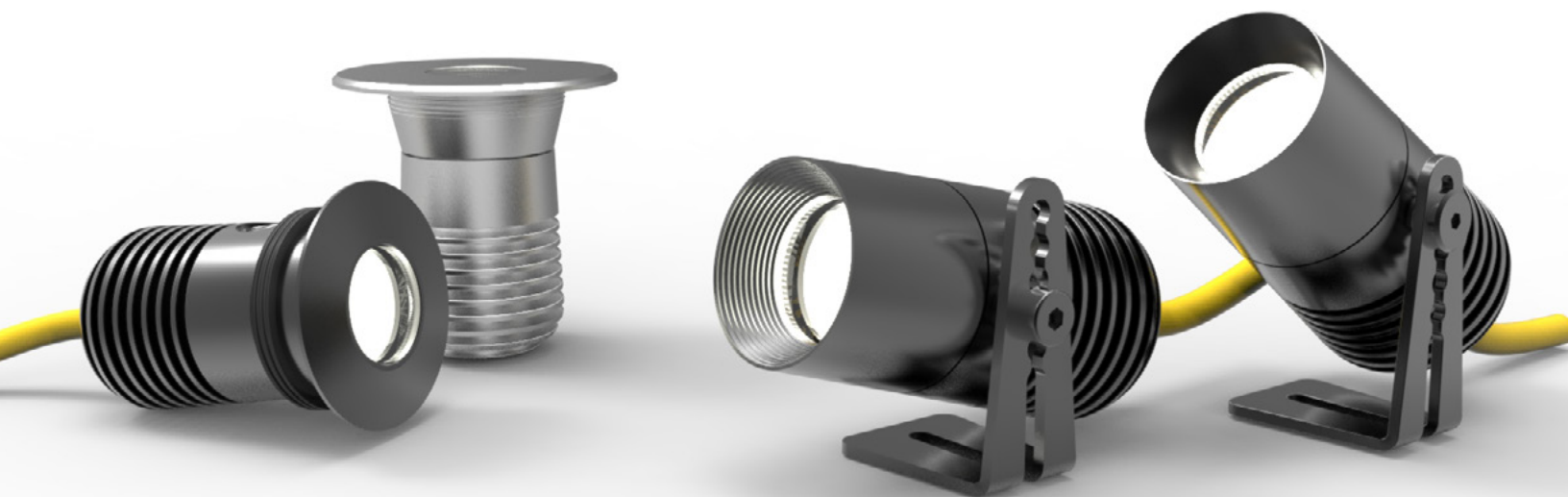
GINGER S is free-standing, having a smart base that allows the fixture to be adjusted vertically.

GINGER D is for either outdoor or indoor recessed installations into drywall or wood panels.

GINGER H for installations recessed into the ground using a housing box.

GINGER line offers 5 different optics from Ledil, 5 different LED colors, low power consumption, and a driving current of up to 1050mA.

GINGER line is ideal for illuminating facades and niches, spas and pool areas, landscape lighting and scenery, counters and shelves, indoor and outdoor use, at home and/or in the office.



GINGER H
Ground mount

GINGER D
Drywall mount

GINGER S
Free standing

GINGER

IP67 Micro LED Spot Light

SPECIFICATIONS

Output

LED Source	High power Luxeon T 2700/3000/3500/4000/5000K
Intensity	176lm*@3000K_700mA 240lm*@3000K_1050mA
Optical System	11°, 15°, 28°, 44°, Oval 52*12°

Electrical

Control	External constant current driver*
Input Voltage	External constant current driver*
Power	1.96w @ 700mA, 2.86w @ 1050mA
Efficiency	90 lm/w @700mA , 84 lm/w @1050mA
Cable	Neoprene 100cm 2 X 0.5#

Physical

Housing	Machined 6061 Aluminum
Finish	15μ Anodized
Fixture length	70mm
Fixture diameter	36mm

Environmental

Operating Temp.	-18°C ~ 40°C / -0.4°F ~ 40°F
Storage Temp.	0°C ~ 60°C / 32°F ~ 140°F
IP Rating	Outdoor IP67

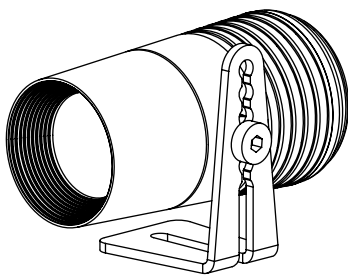
* External driver is not supplied with the product

All numbers are NET after reduction of lens and front glass efficiency

FREE STANDING

Ginger S

Free standing spot



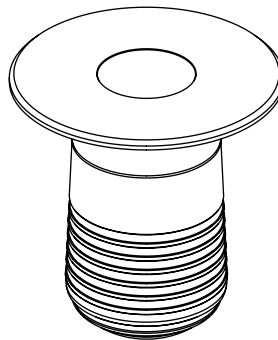
Free Standing 360°
bracket and
'dark light'

36mmØ Front cover

RECESSED CONFIGURATIONS

Ginger D

Drywall mount

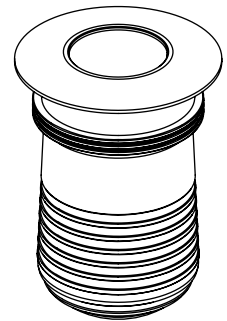


Special mounting
technology for drywall
and wood

60mmØ Front cover

Ginger H

Ground mount



Recessed with
housing for ground
or ceiling

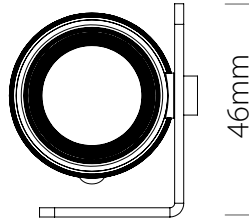
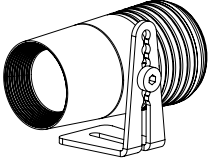
46mmØ Front cover

GINGER

IP67 Micro LED Spot Light

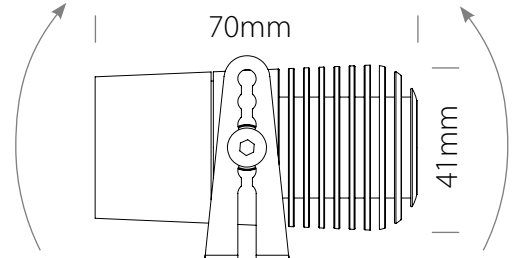
DRAWINGS / FREE STANDING

Ginger S



Cable gland type - PG7, Ø6mm cable

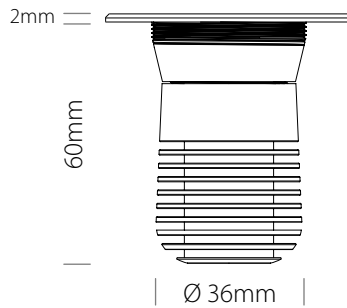
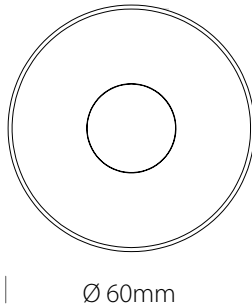
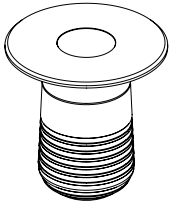
ACCESSORIES



Up / Down tilt bracket, 60°

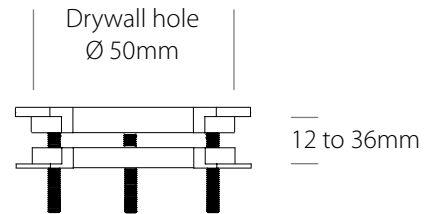
DRAWINGS / RECESSED

Ginger D



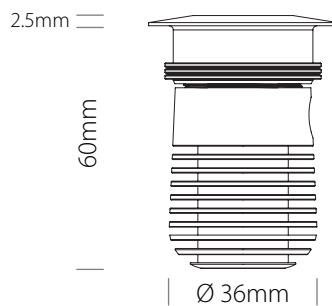
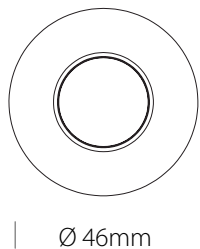
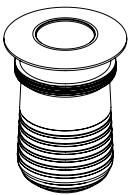
Cable gland type - PG7, Ø6mm cable

ACCESSORIES

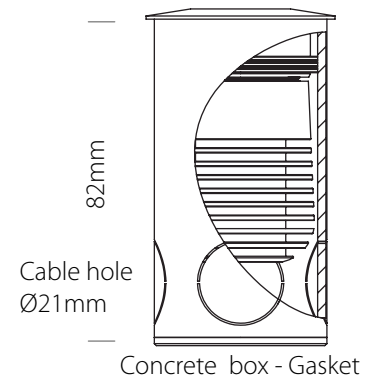


Aluminium drywall clip
For 12 to 36mm wall thickness

Ginger H



Cable gland type - PG7, Ø6mm cable



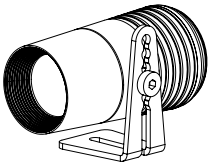
Concrete box - Gasket

GINGER

IP67 Micro LED Spot Light

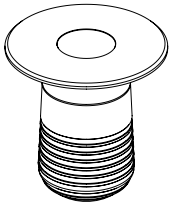
APPEARANCE / FREE STANDING

Ginger S

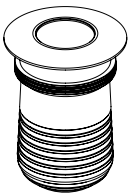


APPEARANCE / RECESSED

Ginger D



Ginger H



GINGER

IP67 Micro LED Spot Light

CONTACT

Headquarters

d-led Illumination Technologies

T +972 (0)9 7444 222

F +972 (0)9 7696 826

PO. Box 7180

Hod-Hasharon, 4501310

Israel

www.d-led.net

info@d-led.net

United Kingdom

London office

T +44 (0)20 88683163

M +44 (0)7702 124292

www.d-led.co.uk

office@d-led.co.uk

