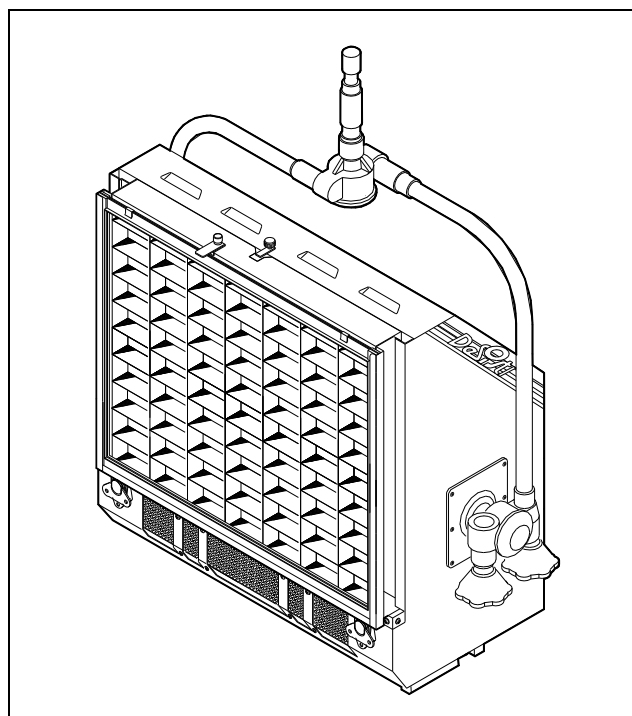
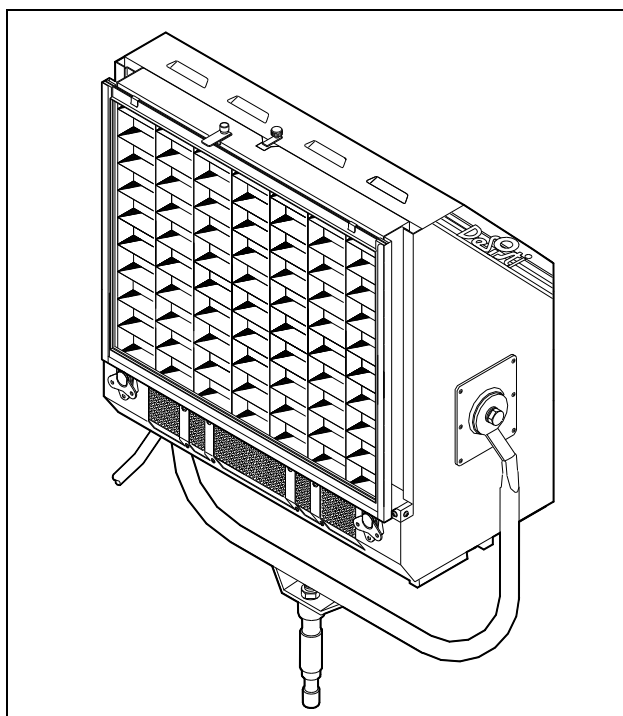




# BOTTICELLI 1.250 – 2.500 W Quartz-Halogen Softlight

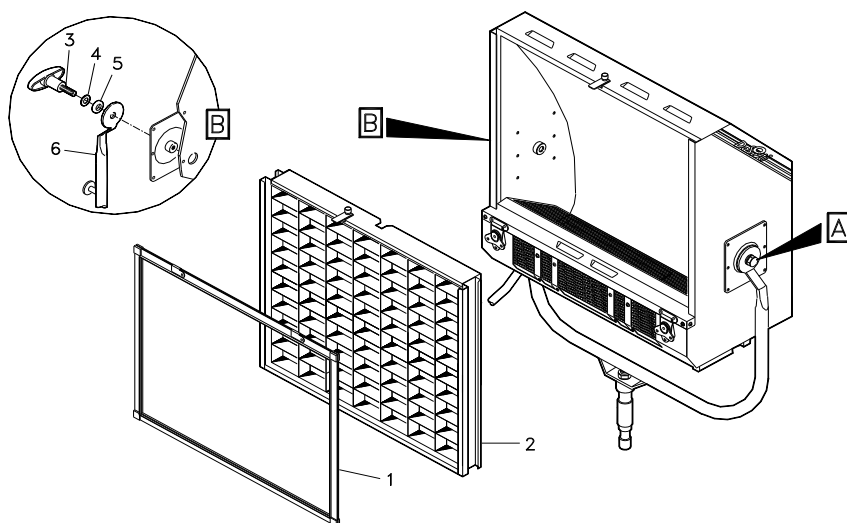
## INSTRUCTION MANUAL



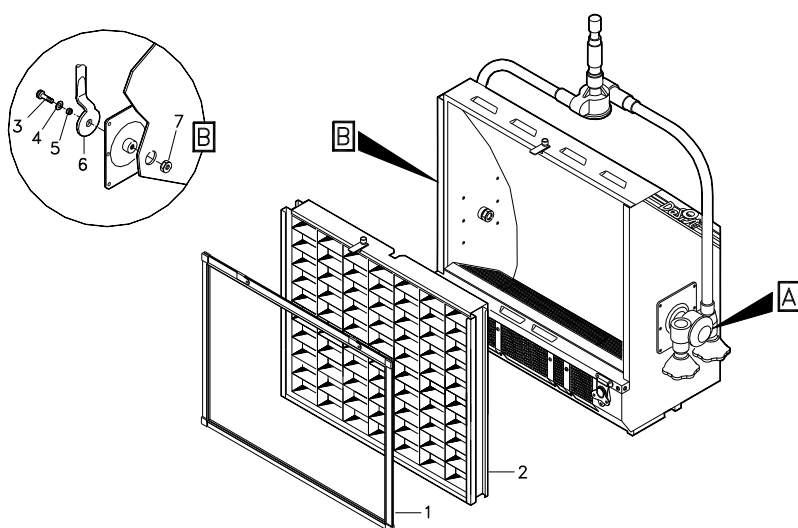
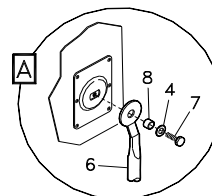
## 1. INTRODUCTION

Congratulations on your purchase of a BOTTICELLI 1250/2500 W lighting fixture from De Sisti Lighting, our commitment to Total Customer Satisfaction and a consolidated experience in leading the innovation in the manufacturing of lighting products for the professional Entertainment Industry mean you can depend upon the quality of this product. The BOTTICELLI 1250/2500 W is a compact and robust sofflight using 2 tungsten-quartz-halogen linear filament lamps having R7s sockets, Length of 189 mm. and max. 2500 kW power each.

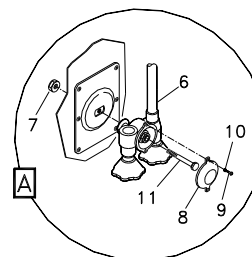
## 2. YOKE AND ACCESSORIES ASSEMBLY



- |   |                       |
|---|-----------------------|
| 1 | COLOUR FRAME          |
| 2 | EGG-CRATE             |
| 3 | "T" HANDLE M10x35     |
| 4 | WASHER Ø10            |
| 5 | STEP BEARING          |
| 6 | M.O. STIRRUP ASSEMBLY |
| 7 | BOLT M10x25           |
| 8 | SPACER                |



- |    |                       |
|----|-----------------------|
| 1  | COLOUR FRAME          |
| 2  | EGG-CRATE             |
| 3  | SCREW M10x30          |
| 4  | WASHER Ø10            |
| 5  | SPACER                |
| 6  | P.O. STIRRUP ASSEMBLY |
| 7  | NUT M10               |
| 8  | COVER                 |
| 9  | SCREW M4x10           |
| 10 | WASHER Ø4             |
| 11 | BOLT M10x80           |



### 3. SAFETY INSTRUCTIONS


➤ **Professional use:** This luminaire has been designed for professional use and must be operated by qualified personnel only. **Not for residential use.**

➤ **Grounding: WARNING: THIS LUMINAIRE MUST BE GROUNDED**

➤ **Electrical connections: IMPORTANT** The cores in this mains lead are colored in accordance with the following code:

	<u>Europe</u>	<u>America</u>
<i>Ground</i>	Green & yellow	Green or green & yellow
<i>Neutral</i>	Blue	White
<i>Live</i>	Brown	Black

In case the colors of the cores do not correspond to the colors of the connection points on your plug, please proceed as follows:

- the green or green and yellow core must be connected to the connection point marked with the letter E or with the symbol  or colored in green or in green - yellow;
- the blue (or white) core must be connected to the connection point marked with the letter N or colored in black;
- the brown (or black) core must be connected to the connection point marked with the letter L or colored in red.

#### Working conditions

➤ Working Position	Max. Tilting on vertical plane $\pm 90^\circ$ from straight horizontal			
➤ Ambient Temperature, $t_a$	-20° C ÷ +45° C			
➤ Minimum distances from inflammable surfaces	<b>Top</b>	<b>Back</b>	<b>Sides</b>	<b>Front</b>
	0,4 m.	0,1 m.	0,1 m.	4 m.

The luminaire should never be OPERATED close to inflammable materials. The ones indicated in the above table are the minimum distances recommended. Other requirements for safe use are:

- Do not cover the apertures of the luminaire housing. They are essential for correct ventilation. Do not use on the floor. It reduces the ventilation.
- Use only original accessories and spares from De Sisti Lighting.
- Before hanging the luminaire ensure that the suspension point (or the stand) is properly rated to accept the luminaire weight.
- In case of pole operated use, fit only a P.O. stirrup from De Sisti Lighting.
- A suitable secondary safety suspension device (safety cable, chain or equivalent) must be fitted between the suspension point and the eyelet at the front of the body .

**WARNING :** DO NOT MOUNT THE LUMINAIRE ON A NORMALLY FLAMMABLE SURFACE .

#### 4. INSTALLATION INSTRUCTIONS

---

Before connecting the luminaire to the electrical mains ensure that:

- A - Earth line is present on the power socket.
- B - The mains voltage is within the rated range of the luminaire (see technical data on the rating label)
- C - The lamp fitted:
  - is among the usable lamps ( check with your De Sisti dealer )
  - has the same nominal voltage as the mains supply
  - has a nominal power not higher than maximum power of the luminaire.
- D - The front safety shields against the lamp explosion are present and in good condition. They consist wire guard 3x3 mm .

**WARNING :** SHIELDS, LENSES SAFETY OR DICHROIC GLASSES SHALL BE CHANGED IF THEY HAVE BECOME VISIBLY DAMAGED TO SUCH AN EXTENT THAT THEIR EFFECTIVENESS IS IMPAIRED, FOR EXAMPLE BY CRACKS OR DEEP SCRATCHES. THE LUMINAIRE SHALL ONLY BE USED COMPLETE WITH ITS PROTECTIVE SHIELD .

#### 5. LAMP INSTALLATION AND REPLACEMENT

---

The following procedure should be adopted:

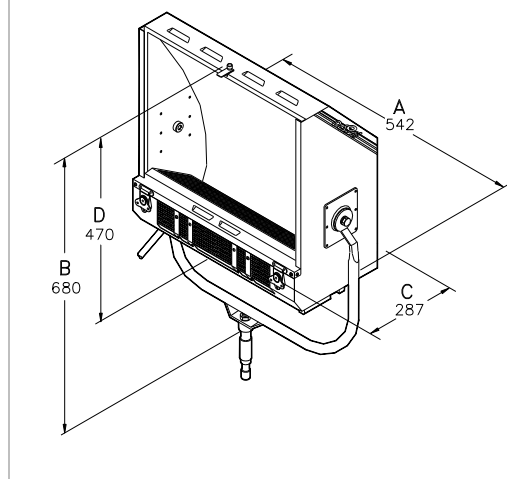
- A - Ensure the luminaire is electrically isolated from the power supply.
- B - WAIT LEAST 5 MINUTES FROM SWITCHING OFF to avoid risk of injury from possible lamp explosion. Then open lens door .  
**WARNING:** AFTER THE ABOVE MENTIONED TIME THE LAMP MAY STILL BE VERY HOT, USE PROPER THERMAL PROTECTION (EG. GLOVES).
- C - Check that the new lamp is of the correct type ( see item 4 .C).
- D - Replace the lamp taking good note of the following:
  - do not touch the bulb with bare-hands; oil and grease can contaminate the bulb surface and then reduce the performance and the lamp life.
  - The plastic cover which protects the lamp should not be removed until after fitting.
  - Should the bulb become dirty due to hand contact or for any other reason, it can be cleaned with a cloth moistened with alcohol
- E - Ensure that the door is securely closed.

**WARNING:** THE LAMP MUST BE REPLACED IF IT HAS BECOME DAMAGED OR DEFORMED .

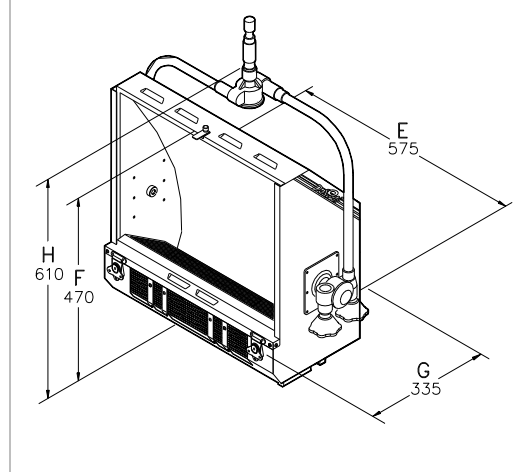
## 6. CHARACTERISTICS AND PERFORMANCE DATA

DESCRIPTION	VALUE			
☛ Power Input	Max. 2500W			
☛ Power supply	<b>Europe</b>		<b>America</b>	
	230 V / 0-50 Hz		110 V / 0-60 Hz	
☛ Switch on the fixture	<b>M.O.</b>		<b>P.O.</b>	
	2 x TOGGLE 10 A		<b>Europe</b> Rotary 25 A	<b>America</b> 2 x Toggle 10 A
☛ Lamp Holder	R7s Spring Type			
☛ Power Cable	<b>Europe</b>		<b>America</b>	
	3 x 2.5 mm <sup>2</sup> H07RN-F 90° C rating		3 x 14 AWG TYPE SO 90° C rating	
☛ Protection Class	Class 1 – it requires ground connection			
☛ Protection Type	IP 22			
☛ Max. Housing Surface Temperature	102° C			
☛ Weight of Fixture	<b>M.O.</b>	<b>M.O. USA</b>	<b>P.O.</b>	<b>P.O. USA</b>
	12 kg	11.7 kg	13 kg	12.8 kg
☛ Weight of Egg-crates	<b>24,5 mm tickness</b>		<b>49 mm tickness</b>	
	1.31 kg.		2.26 kg.	
☛ Weight of color frame	0,67 kg.			

Dimensions in mm.



Dimensions in mm.



## 7. PERIODIC INSPECTION

---

- A. The condition of the internal wiring insulation and of the input cable shall be inspected and tested every 500 working hours and at least once a year. This frequency may need to be increased if rough or unknown (eg. rental) treatment is incurred. Replace only with original De Sisti Lighting spare parts. Non-original cables may not withstand the thermal and mechanical conditions of use
- B. The lamp condition must be checked every 100 working hours. For lamp replacement follow the procedure of point 5 and the instruction of the lamp manufacturer .
- C. Check the condition of the safety shield (see chapter 4-D: Installation Instructions) before every use.

## 8. SAFETY STANDARDS

---

<b>Europe:</b> The product conforms the Applicable European Directives & Standards	<b>America:</b> the product conforms NEC & UL stds.
<ul style="list-style-type: none"> <li>➤ Low Voltage Directive: <b>73/23/EEC (as amended by 93/68/EEC)</b></li> <li>➤ EMC Directive: <b>89/336/EEC (as amended by 92/31/EEC &amp; by 93/68/EEC)</b></li> <li>➤ European Standards: <b>EN 60598-2-17, EN 60598-1 , EN 55015 , EN 61547</b></li> </ul>	