

# High Luminance Output Flood Inground Light



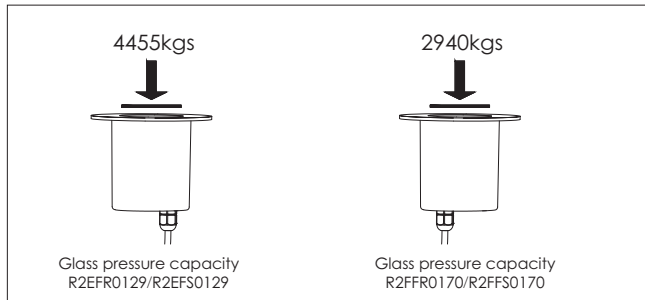
R2EFR0129



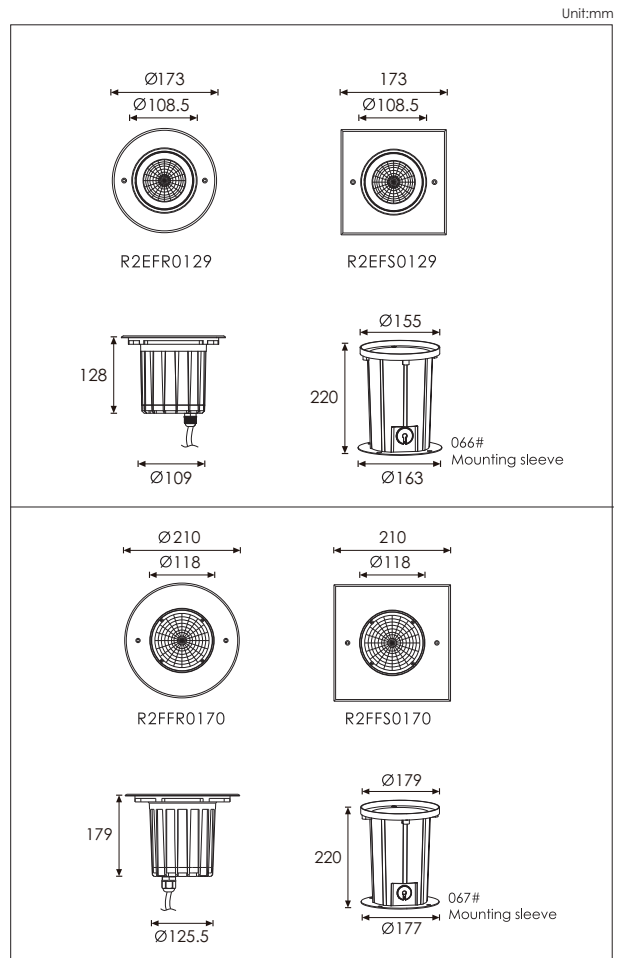
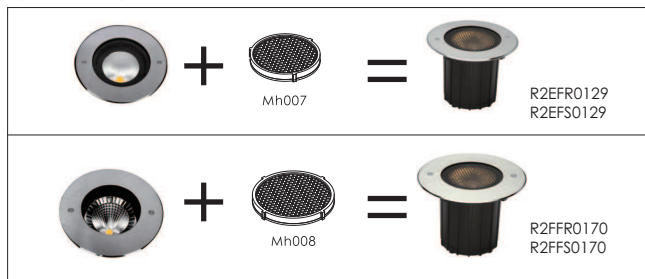
R2FFR0170

## Material specifications

Housing	12# Die-casting dark grey powder coated aluminum T=60-80μm Adhesion of ISO class 1/ATM class 4B
Front cover	Hard chromeplated stainless steel SUS 316L#
Glass	Step tempered white coating glass.T=8mm
Reflector	Optical Reflector efficiency≥90%
LED	Multi chip on board LED
Cable gland	IP-68 PG-11 PVC
Gasket	Molding shaped seal
LED Driver	Constant Voltage Input,Constant Current Output
Operating temperature	-20°C~40°C
Power Cable	H07RN-F 3X1.0mm <sup>2</sup> L=0.5m(high voltage)
Mounting sleeve	ABS 066# 067#
Dimmer support	



## Optional Honeycomb Louver



Item	Light source	Reflector	The manufacturer selected lens degree(°)θ1/2	Input voltage(v)	Typical operating current(mA)	Typical consumption(w)	Typical luminance(lm)	IK rate
○ R2EFR0129 □ R2EFS0129	1 × 12W COB	R18	24°	24V DC 120/240	24V = 529 120V = 102 240V = 64	24V = 12.7 120V = 14.0 240V = 14.0	Cool white = 1000 Warm white = 935	10
○ R2FFR0170 □ R2FFS0170	1 × 18W COB	R19	24°	24V DC 120/240	24V = 700 120V = 160 240V = 85	24V = 17.0 120V = 18.5 240V = 18.5	Cool white = 1315 Warm white = 1225	10