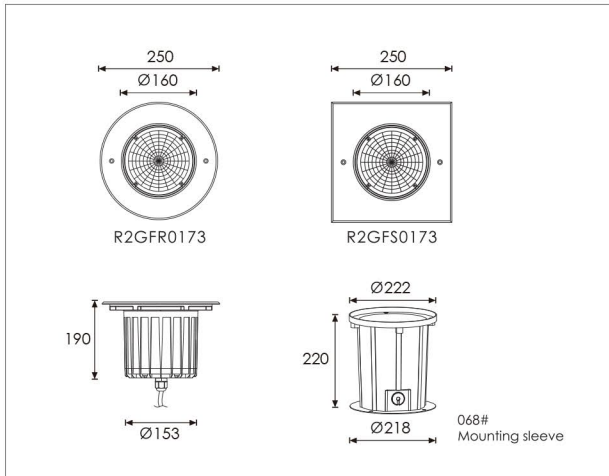


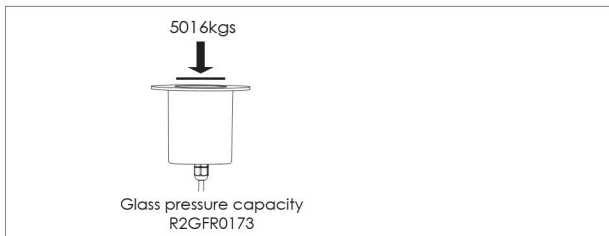


Unit:mm

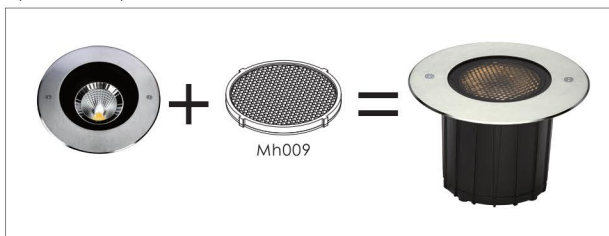


Material specifications

Housing	12# Die-casting dark grey powder coated aluminum T=60-80µm Adhesion of ISO class 1/ATM class 4B
Front cover	Hard chromeplated stainless steel SUS 316L#
Glass	Step tempered white coating glass.T=10mm
Reflector	Optical Reflector efficiency≥90%
LED	Multi chip on board LED
Cable gland	IP-68 PG-13.5 PVC
Gasket	Molding shaped seal
LED Driver	Constant Voltage Input,Constant Current Output
Operating temperature	-20°C~40°C
Power Cable	H07RN-F 3X1.5mm ² L=0.5m(high voltage)
Mounting sleeve	ABS 068#
Dimmer support	



Optional Honeycomb Louver



Item	Light source	Reflector	The manufacturer selected lens degree(°)θ1/2	Input voltage(v)	Typical operating current(mA)	Typical consumption(w)	Typical luminance(lm)	IK rate
○ R2GFR0173	1×25W COB	R16	25°	24V DC 120/240	24V = 1040 120V = 260 240V = 135	24V = 25.0 120V = 30.0 240V = 30.0	Cool white =2128 Warm white =1899	10
□ R2GFS0173	1×25W COB	R16	25°	24V DC 120/240	24V = 1040 120V = 260 240V = 135	24V = 25.0 120V = 30.0 240V = 30.0	Cool white =2128 Warm white =1899	10