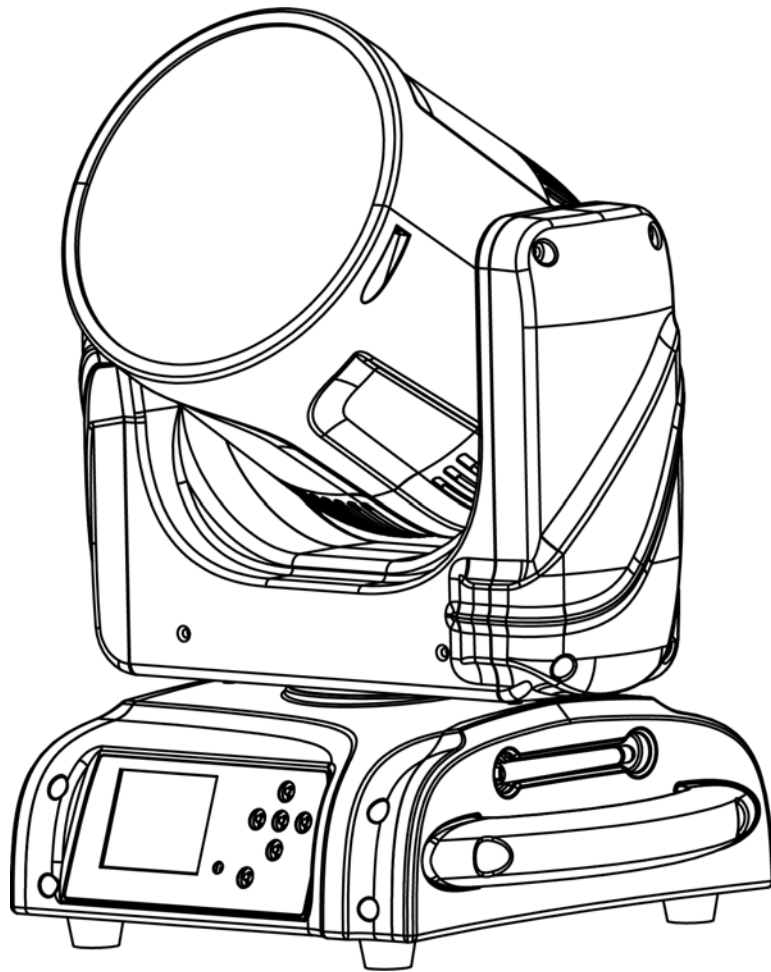




# ***LED WASH HEAD***

## **USERS GUIDE**



CE

## 1. Product Introduction:

1.1 Before unpack the fixture, pls make sure that the packing is in good condition, following items will be found in the box:

- The fixture
- This users guide
- 3m DMX cable
- 1.5m power cable with powercon
- Omega bracket for hanging installation
- Safety chain

### 1.2 Specification

#### Source

- Light source: 7pcs OSRAM 40W 4in1 leds, PIXEL dimming
- Led life: 60.000 hours
- Luminous Flux: (6°) 1'322 lm - (50°) 2'320lm@all
- Control: Remote on/off via DMX
- Ballast: switching mode power supply

#### Optical System

- Beam angle: 6° to 50°

#### X/Y

- Pan: 630° (3.04 sec) or 540° (2.61 sec), Tilt: 265° (1.03 sec)
- 16-bit resolution
- Auto repositioning
- 3 phase motor for crazily fast and quiet movement

#### Features

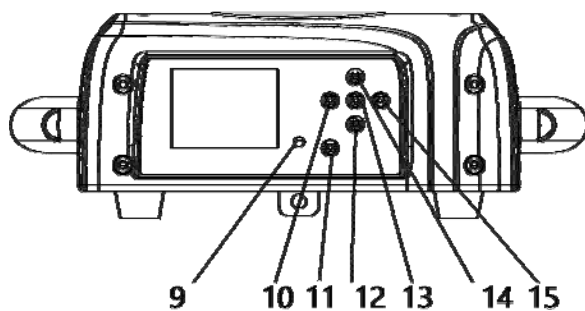
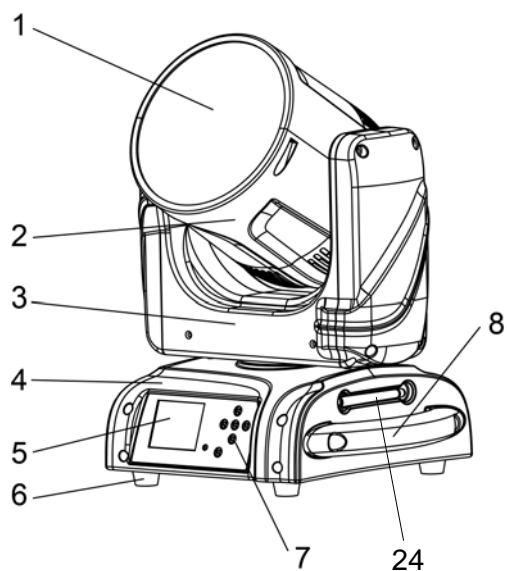
- DMX channels: 26/38/8/28
- Super fast, smooth and silent movement
- 7pcs LED, RGBW pixel dimming
- RGBW four colors mixing to create vivid, saturated and uniform color effect
- Pre-set color temperature at 2000K-2700K, 3200K, 4200K, 5600K and 8000K
- Zoom from 6° to 50°
- Full range 0-100% dimmer
- Various strobe
- RDM function to change DMX address, display flip, X/Y Reverse and so on
- Software upgrade via DMX
- Hibernation when lost DMX for preset time
- Indicate temperature info of base
- Fan speed auto change according to temperature
- Heat pipe for cooling

#### Display

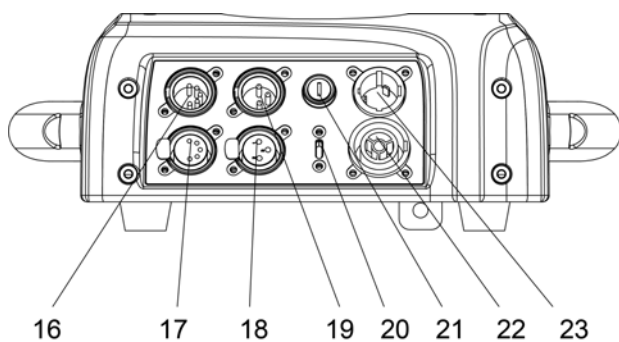
- 2.4inch super nice LCD display with friendly English/ Chinese/French/Spanish menu
- Auto lock and flip
- Flip
- Back-up communicating IC

### 1.3 Description of the Device

1. Project lens
2. Head
3. Arm
4. Base
5. Display
6. Foot stand
7. Operation button
8. Handle

















- 9.Mic
10. Left button
- 11.Battery indicator
12. Down button
13. Enter button
14. Up button
15. Right button
16. 5-pin DMX in
17. 5-pin DMX out
18. 3-pin DMX out
19. 3-pin DMX in
20. USB
21. Fuse
22. Powercon out
- 23.Powercon in
- 24.Antenna



## 2. Safety and maintenance Information

### 2.1 Safety Info

	Before operate this unit, please carefully read this users guide and keep if needed in future. It's necessary to respect following rules.
	The disposal of the device after lifecycle could damage the environment, need to take it to special company for recycling or return to authorized dealer.
	The products referred to in this manual conform to the European Community Directives and are therefore marked with CE logo.
	Keep this device away from children and unauthorized users, the manufacturer will not take responsibility for the damage due to any disregard of the information provided in this manual and wrong operation.
	Before operate the device, pls make sure the fixture is in good housing, ensure pan and tilt can rotate in its complete range.
 <b>--0.3m</b>	Pls make sure minimal 0.3m distance need to kept between the fixture to any flammable material.
	The device can only run with 100-240v voltage, 50/60Hz power, don't connect to any other wrong power. Disconnect the device from main power before open the shield or maintenance.
	The device is designed only for indoor usage, pls keep it away from moisture. Do not expose the device under the sun or directly to any other lighting source.
	Never look directly into the projecting lens when the fixture is power on, the light may trigger epileptic seizures in photosensitive persons or persons with epilepsy. Especially at beam effect, extreme caution and observance of these safety instructions is mandatory.
	Don't put or install the device on a surface that subject to vibration or bumps.
<b>Ta=45°C</b>	The device is supposed to work in the temperate range -15° C and +45° C, do not use the device when the temperate exceed this range.
	The lens, shield need to be replaced when obviously broken, never use the device when the shield is not completed closed.
	Safety I class device, need to be earth connected.
	When the fixture is hanged overhead, the safety rope must be fixed to the bottom of the device to the appropriate fixing point.
	Always carry the device by the handles, do not take the head or arm directly for transportation.

### 2.2 Maintenance

2.2.1 Operation only allowed to qualified person, damages due to unprofessional operation or remove of any parts inside will not be considered in warranty service. There are no serviceable parts inside the device or package, service only leaves to authorized dealers.

2.2.3 Never allow the optical components contact with oil, fat or any other liquid.

2.2.4 A regular clearance of the device is needed for long-term usage, this is very helpful to maintain the lifetime and brightness need to use a soft and lint-free cloth to clean the optical system, fan and air flowing tunnel.

### 2.2.5. Trouble Shooting

Problems	Possible reasons	Checking or solutions
Device not power up	Powercon or power cable damaged Faulty power supply	Change a good power cable to try Replace new power supply
Pan/Tilt error or vibrate	Faulty Pan/Tilt PCB Faulty opto sensor Cable loosen	Replace PT012A PCB Replace opto sensor OP001 Check the cable connect to OP001
LED off	Temperature protection Fan not working Faulty LED Dimmer and strobe set at 0 Faulty power supply	Check the temperature from menu Check the fan speed info from menu Replace new LED Set dimmer and strobe channel at 255 Replace new power supply
Device not response to DMX	Faulty communication IC Faulty display PCB Wrong DMX addressing Faulty DMX cable	Replace the IC with back-up one in the display PCB Replace new display PCB Check the address and setting Change to a good DMX cable

### 2.2.6 Replacement of the fuse

Need to replace with same type and rating, which originally installed in the device.

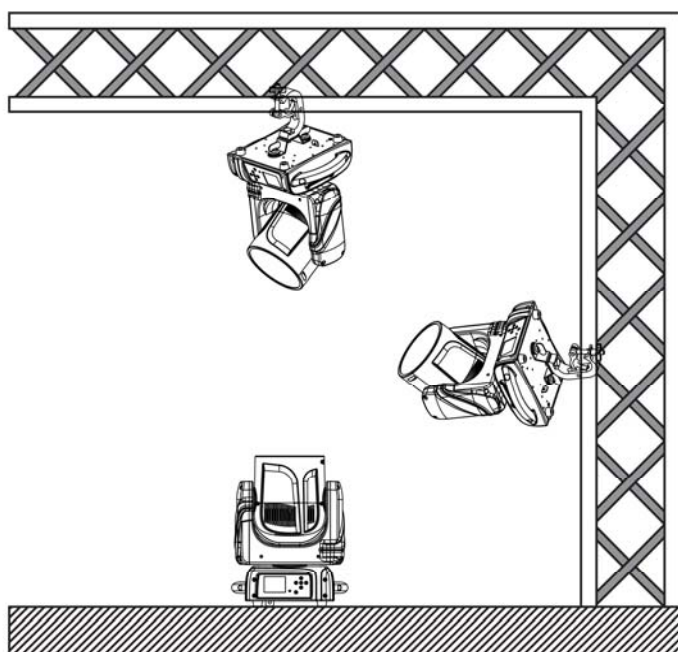
Step One: Unplug power cable from main power.

Step Two: Unscrew the fuse holder out of the housing with a screwdriver.

Step Three: Remove the broken fuse and replace with an exact same type of new fuse.

Step Four: Insert the fuse holder back to the housing and screw tight and reconnect power.

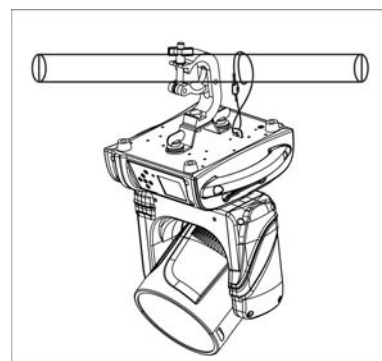
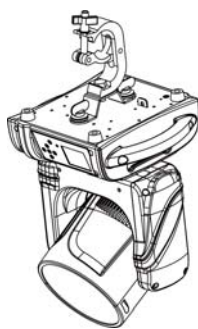
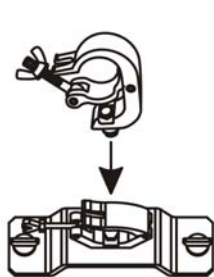
## 3. Installation



3.1 The device could be either put on a solid and even surface, or mounted upside down or sideways like left picture.

3.2 The mounting place must be sufficient stable and be able to support a weight of 10 times of the unit's weight. When the fixture is hanged, always additionally secure the device with the safety chain, fasten the safety rope at a suitable position so that the maximum fall of the projector will be 20 cm

### 3.3 How to do mounting installation.



Step one: Installation the clamp onto the omega bracket;

Step two: Install the clamp and bracket on the bottom of panel, fasten the quick-locks;

Step three: Install the whole device onto appropriate truss and fasten the clamps, tight the safety rope with the truss or other fixing point at a suitable position that drop down distance not exceed 20 cm.

## 4. Control menu

### 4.1 Meaning of the icon in menu

CONNECT	LIGHT	INFOMATION	SET	PROGRAM
				

### 4.2 Menu tree

Default setting shadowed. Mark with ① can be basic reloaded, ② be program reloaded, ③ can be private reloaded.

<b>CONNECT</b>	<b>ADDRESS</b>	<b>FIXTURE</b>	VALUE (1-512)(001)		
		<b>PIXELS</b>	VALUE (1-512)(001)		
	<b>CONTROL PROTOCOL</b>	<b>FIXTURE</b>	DMX/W-DMX/sACN/ARTNET		
		<b>PIXELS</b>	FOLLOW FIXTURE/DMX/W-DMX/sACN/ARTNET/KLI NGNET		
	<b>DMX MODE</b>	<b>FIXTURE</b>	STANDARD/EXTENDED		
		<b>PIXELS</b>	OFF/RING/PIXELS		
	<b>WIRELESS</b>	WDMX ON/OFF	ON/OFF		
		WDMX MODE	TRANSMITTER/RECEIVER		
		TX LINK	ON/OFF		
		TX UNLINK	ON/OFF		
		RX RESET	ON/OFF		
		DMX TO WDMX (TX)	ON/OFF		
	WDMX TO DMX (RX)	ON/OFF			
	<b>ETHERNET</b>	ARTNET	FIXTURE	IP ADDRESS	

	<b>SETTING</b>	SETTINGS		NET	0
				SUBNET	0
				UNIVERSE	0
			PIXELS	IP ADDRESS	
				NET	0
				SUBNET	0
			UNIVERSE	0	
		sACN SETTINGS	FIXTURE	IP ADDRESS	
				UNIVERSE	0
			PIXELS	MERGE MODE	OFF/HTP/L TP
				IP ADDRESS	
				UNIVERSE	0
				MERGE MODE	OFF/HTP/L TP
		ETHERNET TO DMX	ON		
			OFF		
		KLINGNET	ON		
OFF					
<b>Setup</b>	<b>FIXTURE SETTINGS</b>	DMX FAULT	HOLD/BLACKOUT		
		TEMPERATUR E UNIT	Fahrenheit /Celsius		
		HIBERNATION	OFF, 01M~99M(15MIN)		
		FAN MODE	AUTO/HIGH/SILENT		
		DIMMER CURVE	LINEAR/S-CURVE/SQUARE LAW/ INVERSE SQUARE LAW		
		DIMMER SPEED	AUTO/FAST/MEDIUM/SLOW		
		LED FREQUENCY	600HZ/1200 HZ/2000 HZ/4000 HZ/6000HZ/25KHZ/50KHz		
		MENU LANGUAGE	En/Fr/Sp/简/繁 (En)		
		TRANSFER CONFIGURATI ON	WITHOUT DMX ADDRESS		
			WITH DMX ADDRESS		
		WHITE CALIBRATION	OFF/STUDIO		
		Tungsten emulation	ON/OFF		
		INVERT MAPPING	ON/OFF		
		<b>MOVEMENT</b>	PAN REVERSE	ON/OFF	
	TILT REVERSE		ON/OFF		
	PAN/TILT FEEDBACK		ON/OFF		
PAN/TILT MODE	SLOW/MEDIUM/FAST				

	<b>SCREEN</b>	TOTEM MODE	OFF/UP/DOWN		
		BACKLIGHT	ON/10S/20S/30S		
		FLIP DISPLAY	ON/OFF/AUTO		
		STATUS LED	ON/OFF		
		KEY LOCK	ON/OFF		
<b>INFORMATION</b>	<b>FIXTURE TIME</b>	FIXTURE HOURS	TOTAL	( ONLY READ)	
			PARTIAL	(READ AND RESET)	
		CURRENT HOURS	TOTAL	( ONLY READ)	
			PARTIAL	(READ AND RESET)	
		LED HOURS	TOTAL	( ONLY READ)	
			PARTIAL	(READ AND RESET)	
	POWER ON CYCLE	TOTAL	( ONLY READ)		
		PARTIAL	(READ AND RESET)		
	<b>TEMPERATURE</b>	NEAR SOURCE TEMP, DRIVER PCB TEMP, LED PCB TEMP,...			
	<b>FAN SPEED</b>	NEAR SOURCE FAN, BASE FAN,...			
	<b>CHANNEL VALUE</b>	PAN...			
	<b>ERROR MESSAGE</b>	PAN, TILT...			
	<b>FIXTURE MODEL</b>	XXXXXXXXXX			
	<b>RDM UID</b>	(READ AND RESET)			
	<b>SOFTWARE VERSION</b>	1U01 V1.0.00...			
<b>SERVICE</b>	<b>RESET</b>	ALL			
		PAN & TILT			
		...			
	<b>CALIBRATION</b>	PASSWORD			
		PAN			
		...			
	<b>MANUAL CONTROL</b>	PAN			
...					
<b>RELOAD DEFAULT</b>	BASIC RELOAD	ON/OFF			



		PROGRAM RELOAD	ON/OFF		
		Password			
		FACTORY RELOAD	ON/OFF		
<b>FACTORY</b>	<b>RDM PID CODE</b>		xxx		
	<b>LOCKING</b>		PASSWORD		
			xxxHOURS		
			unlocking CODE		
	<b>CALIBRATION</b>		PASSWORD		
			PAN		
			...		
			ZOOM		
			FOCUS		
			GOBO 1 FOCUS	FOCUS	
			...		
			GOBO 8 FOCUS	FOCUS	
			GOBO 1 INDEX	INDEX	
			...		
			GOBO 8 INDEX	INDEX	
			...		
			MAX TEMPERATURE	80~139°C/176~282°C	
		<b>Reset All Data</b>		xxx	

## 5. DMX connection and DMX protocol

### 5.1 DMX addressing:

5.1.1 The device is controlled by universal DMX 512 protocol, DMX address is the start channel used to receive instructions from the external controller. For independent control, each fixture must be assigned its unique address control channels. For example, this device has four channel modes: 13/14, if we set the mode at standard 13 channels mode, and there are several models need to be independently controlled, we just simply address first fixture at 1, and second fixture at 14, third one at 28, etc.

If the devices have the same address, they will behave synchronically.

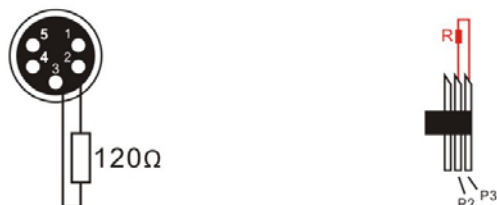
DMX addressing is limited, don't set the address so high that without enough control channels for the fixtures.

Display is flashing when no DMX signal is received.

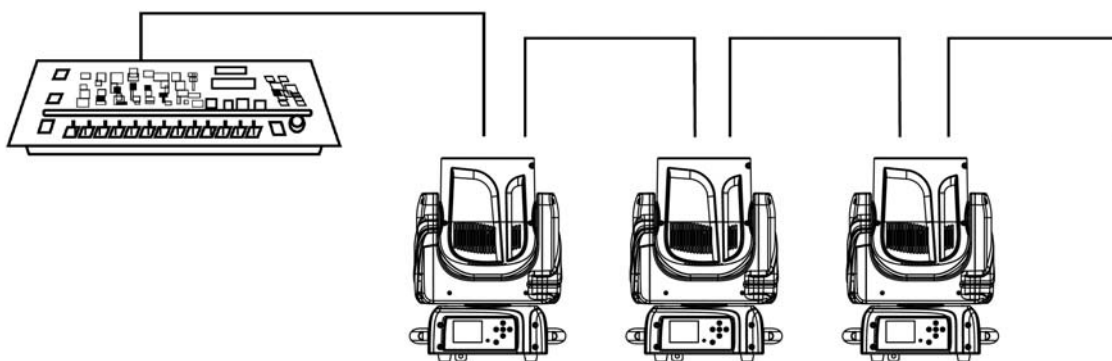
5.1.2 This device is equipped with 3-pins and 5-pins DMX in and out sockets only.



5.1.3 The termination is prepared by soldering a 120Ω resistor between pins 2 and 3.



5.1.4 Connection: use DMX cable with 3+5 pin XLR-plugs to connect the controller with the fixture or one fixture with another.



5.2 DMX chart

Channel						name	function	Min DMX	Max DMX
V1.0.00									
Main Engine			Pixel Engine						
Basic	STD	EXT	OFF	Ring	Pixel				
1	1	1				Pan	Pan Coarse	0	255
2	2	2				Pan Fine	Pan Fine	0	255
3	3	3				Tilt	Tilt Coarse	0	255
4	4	4				Tilt Fine	Tilt Fine	0	255
5	5	5				XY Speed	fastest to Slowest	0	255
6	6	6				Dimmer	Dimmer(0->100%)	0	250
7	7	7				Dimmer Fine	Dimmer Fine(0->100%)	0	255
8	8	8				Shutter/Strobe	Close	0	1
							Strobe from slow to fast	2	62
							Open	63	64
							Pulse in from slow to fast	65	125

							Open	126	127
							Pulse out from slow to fast	128	188
							Open	189	190
							Randon from slow to fast	191	251
							Open	252	255
9	9	9				Red	Red	0	255
10	10	10				Red Fine	Red Fine	0	255
11	11	11				Green	Green	0	255
12	12	12				Green Fine	Green Fine	0	255
13	13	13				Blue	Blue	0	255
14	14	14				Blue Fine	Blue Fine	0	255
15	15	15				White	White	0	255
16	16	16				White Fine	White Fine	0	255
17	17	17				Color Macro	Color Macro	0	255
18	18	18				CTO	lineary from 2800K to 10000K	0	255
19	19	19				Zoom	0 - 100%	0	255
20	20	20				Zoom Fine	0 - 100%	0	255
21	21	21				Crossfade from Artnet to Klingnet	0 - 100%	0	255
22	22	22				Crossfade for Pixel Engine	0 - 100%	0	255
23	23	23				Crossfade from White to Color	0 - 100%	0	255
24	24	24				Control	No Function/Safe	0	1
							KLINGNET ON	2	3
							KLINGNET OFF	4	5
							PAN REVERSE ON	6	7
							PAN REVERSE OFF	8	9
							TILT REVERSE ON	10	11
							TILT REVERSE OFF	12	13
							PAN/TILT MODE FAST	14	15
							PAN/TILT MODE MEDIUM	16	17
							PAN/TILT MODE SLOW	18	19
							MOVEMENT IN BLACKOUT ON	20	21
							MOVEMENT IN BLACKOUT OFF	22	23
							HOME POSITION STANDARD	24	25
							HOME POSITION CUSTOM	26	27
							DISPLAY ON	28	29
							DISPLAY 10S	30	31
							DISPLAY 20S	32	33
DISPLAY 30S	34	35							
FLIP DISPLAY ON	36	37							
FLIP DISPLAY OFF	38	39							
FLIP DISPLAY AUTO	40	41							

						KEY LOCK ON	42	43
						KEY LOCK OFF	44	45
						FAN MODE AUTO	46	47
						FAN MODE SILENT	48	49
						FAN MODE HIGH	50	51
						WHITE CALIBRATION OFF	52	53
						WHITE CALIBRATION STUDIO	54	55
						Tungsten emulation on	56	57
						Tungsten emulation off	58	59
						NO SIGNAL HOLD	60	61
						NO SIGNAL BLACKOUT	62	63
						STATUS LED ON	64	65
						STATUS LED OFF	66	67
						DIMMER CURVE LINEAR	68	69
						DIMMER CURVE S-CURVE	70	71
						DIMMER CURVE SQUARE LAW	72	73
						DIMMER CURVE INVERSE SQUARE LAW	74	75
						DIMMER SPEED AUTO	76	77
						DIMMER SPEED FAST	78	79
						DIMMER SPEED MEDIUM	80	81
						DIMMER SPEED SLOW	82	83
						LED FREQUENCY 600HZ	84	85
						LED FREQUENCY 1200HZ	86	87
						LED FREQUENCY 2000HZ	88	89
						LED FREQUENCY 4000HZ	90	91
						LED FREQUENCY 6000HZ	92	93
						LED FREQUENCY 25KHZ	94	95
						LED FREQUENCY 50KHZ	96	97
						INVERT MAPPING ON	98	99
						INVERT MAPPING OFF	100	101
						RESET ALL	102	103
						RESET PAN/TILT	104	105
						RESET ZOOM	106	107
						Reserved	108	253
						FACTORY DEFAULT OF CONTROL FUNCTIONS	254	255
	25	25				CTO on colors	0 - 100%	0 255
							-25	0 127
	26	26				Tint	0	128 128
							+25	129 255
							No FX	0 16
							FX 1	17 22
							FX 2	23 28
		27				Pattern	FX 3	29 34
							FX 4	35 40
							FX 5	41 46
							FX 6	47 52

						FX 7	53	58
						FX 8	59	64
						FX 9	65	70
						FX 10	71	76
						FX 11	77	82
						FX 12	83	88
						FX 13	89	94
						FX 14	95	100
						FX 15	101	106
						FX 16	107	112
						FX 17	113	118
						FX 18	119	124
						FX 19	125	130
						FX 20	131	136
						FX 21	137	142
						FX 22	143	148
						FX 23	149	154
						FX 24	155	160
						FX 25	161	166
						FX 26	167	172
						FX 27	173	178
						FX 28	179	184
						FX 29	185	190
						FX 30	191	196
						FX 31	197	202
						FX 32	203	208
						FX 33	209	214
						FX 34	215	220
						FX 35	221	226
						FX 36	227	232
						FX 37	233	238
						FX 38	239	244
						FX 39	245	250
						FX 40	251	255
		28				Indexing	0	127
						CW from fast to slow	128	190
						Stop	191	192
						CCW from slow to fast	193	255
		29				Pattern Fade	0 - 100%	0 255
		30				Pattern Transition	0 - 100%	0 255
		31				Foreground Intensity	0 - 100%	0 255
		32				Foreground Strobe	See Shutter/Strobe Channel	0 255
		33				Background	0 - 100%	0 255

					Intensity			
		34			Background Strobe	See Shutter/Strobe Channel	0	255
		35			Background Red	0 - 100%	0	255
		36			Background Green	0 - 100%	0	255
		37			Background Blue	0 - 100%	0	255
		38			Background White	0 - 100%	0	255
				1	Ring 1 Red	0 - 100%	0	255
				2	Ring 1 Green	0 - 100%	0	255
				3	Ring 1 Blue	0 - 100%	0	255
				4	Ring 1 White	0 - 100%	0	255
				5	Ring 2 Red	0 - 100%	0	255
				6	Ring 2 Green	0 - 100%	0	255
				7	Ring 2 Blue	0 - 100%	0	255
				8	Ring 2 White	0 - 100%	0	255
				1	Red 1	0 - 100%	0	255
				2	Green 1	0 - 100%	0	255
				3	Blue 1	0 - 100%	0	255
				4	White 1	0 - 100%	0	255
				5	Red 2	0 - 100%	0	255
				6	Green 2	0 - 100%	0	255
				7	Blue 2	0 - 100%	0	255
				8	White 2	0 - 100%	0	255
				9	Red 3	0 - 100%	0	255
				10	Green 3	0 - 100%	0	255
				11	Blue 3	0 - 100%	0	255
				12	White 3	0 - 100%	0	255
				...		0 - 100%	0	255
				25	Red 7	0 - 100%	0	255
				26	Green 7	0 - 100%	0	255
				27	Blue 7	0 - 100%	0	255
				28	White 7	0 - 100%	0	255

## 6. Unique Features

6.1 RDM, stand for “Remote Device Management”, with this function, users can realize remote control of the device, such as remotely changing DMX address, reverse pan/tilt setting, check a lot of useful information such as temperature, power consumption, fan speed. Etc. Every single device has a unique RDM code before left factory to distinguish from each other, usually not suggest users change this code freely.

6.2 Software upgrade function via DMX cable, if there is any new firmware for this device come out, it can be upgraded simply via a software upgrade box, no need to change any mechanical parts. The upgrade box is not included in the package, if need any further assistance pls just contact authorized dealers.

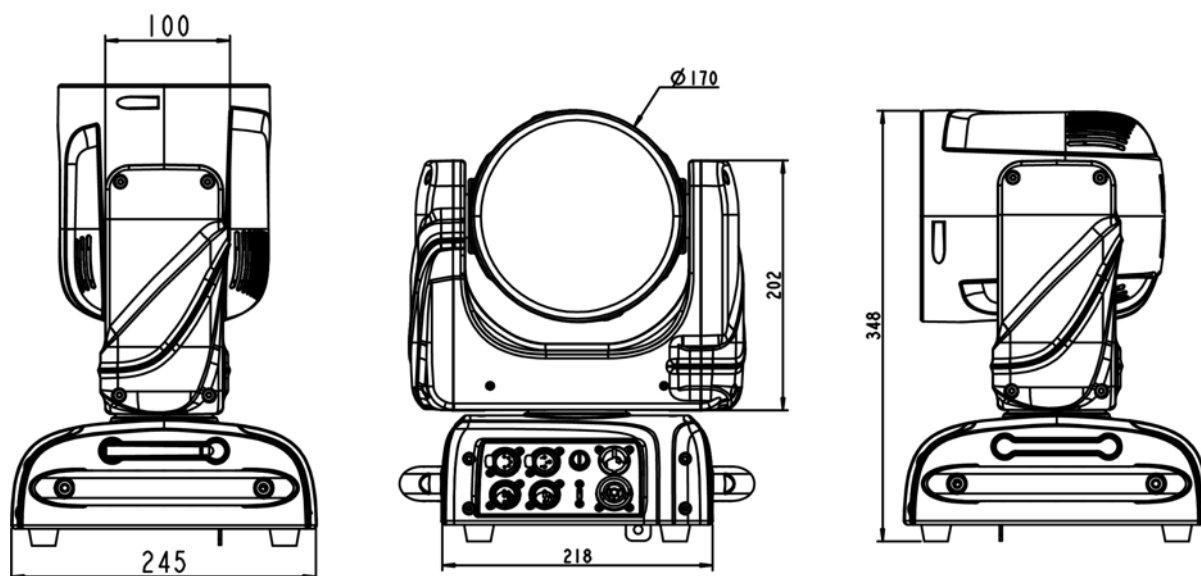
6.3 Hibernation, the device will enter sleeping mode if activated after a period of disconnecting DMX signal to save the power consumption, and will return immediately as soon as the DMX signal is sent again.

6.4 Display battery, this function is prepaid in the display PCB, users just need to install a normal 10440 600mAh 3.7V rechargeable lithium battery, then users could power on the display and do setting without connect to main power.

6.5 Display back-up communication IC, there is a back-up communication IC installed in the display PCB, so users could replace at once if the working one is broken, no need to wait long time from service.

6.6 Display flip, by press up and down button for more than 3 seconds, the display will flip automatically, this function is useful to read menu conveniently when device is hanged.

## 7. Dimensions Drawing



## 8. Technical specification

Power supply	100-240 V AC, 50/60 Hz ~
Power consumption	280W
LED	7pcs OSRAM 40W 4in1 leds
DMX channels	26/38/8/28 ch
Beam angle	6°- 50°
Luminous flux	(6° ) 1'322 lm - (50° ) 2'320lm@all
Fuse	T 3.15 A, 250 V
Device dimensions	286x245x372mm
Net Weight	7.4KG