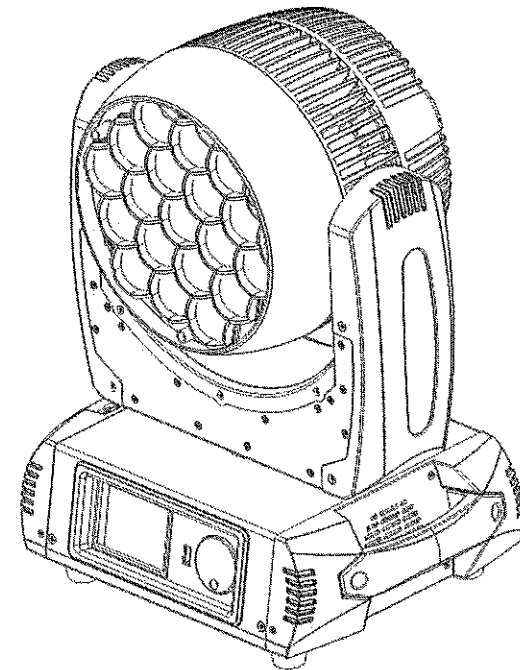




MOVING HEAD LED B285



Weight : 12.0KG

Power : 400W

Color : RGBW

Menu

1.Content.....	02
2.Safety Information.....	03
3.Parts Introduce.....	04
4.product size	04
5.product information.....	05
6. Control Panel Operate.....	06
7. DMX Control Channel Mode.....	07

2.SAFETY INFORMATION

Safety Warning: This product is only suitable for professional use, and does not apply to security for other purposes. When you got the lights, please check the package whether have any damage caused by transportation. If there is any damage, do not use this fixture, and please contact the dealer or manufacturer as soon as possible. This product is only suitable for indoor, IP20 protection class. Lamps should be kept dry to avoid Moisture, overheating or dusty environment. Prevent lamps come into contact with water or any other liquid. The use of this product should pay attention to: fire, heat, electric shock, ultraviolet radiation, the lamp to explode or Shedding caused serious or fatal injury. Please read the instructions before use energized or installing. Follow through the operation of security methods and pay attention to the warning signs on the specification and equipment.

2.1 ANTI-HIGH TEMPERATURE

ta =40°C

Please don't use the equipment if the temperature above 40 °C



2.2 TO PREVENT FALLING WOUNDING

When Hang the fixture, please must verify that the facilities to be able to withstand at least 10 times or more weight of fixtures.

Please make sure the Mounting hardware is strong enough no any damage, and insurance for the safety rope as auxiliary security fixed in other facilities will need to verify before installation. Installing or removing the equipment, to make the pulley below the work location

2.3 UA PROTECTION

Forbid straight viewpoint with exposed bulbs to avoid UV damage to the eyes;

Do not use the equipment without the lens screen and the lid;


The lens and the light head covers should be timely replaced if any damage to rupture.

2.4 PREVENTION OF ELECTIC SHOCK



The electrical connection must only be carried out with corresponding qualifications;

Before installing, make sure you use the power voltage lamps must comply with the identified power, voltage and have an overload or leakage protection;

Each fixture must be properly grounded, installed in accordance with the relevant standards; 

Cut off the power when stall or replace the lamp and the fuse;

Forbid using the fixture in storm or wet environment



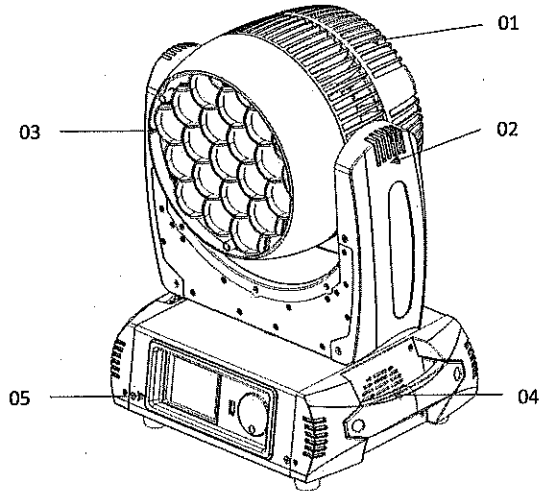
2.5 TO PREVENT BURNING OR FIRE

1. The fixture can't be mounted directly on the surface of ordinary combustible material.

2. The equipment must be installed away from inflammable and explosive materials.

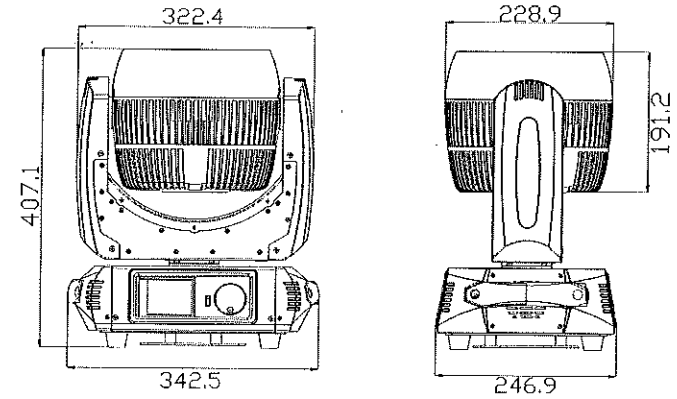
3. The highest temperature is 40 ° C when the equipment is in stable state.
4. The equipment can not have an obstacle at least in the range of 0.5 meters.
5. Do not replace the non-original parts.

3.product parts



- 01 —body
- 02 —arm
- 03 —lens
- 04 —handle
- 05 —base bottom

4.



5.Specification

specification

Channels mode 14/25 CH

Lamp: TAIWAN 15W RGBW 4in1 LED;

power: 110-240V,50/60Hz;

Total power: 400W;

Display: LCD screen display, can reverse 180°;

Lens: French lens, 8 degree;

Zoom angel : 7.9-38°;

Dimmer : 0-100% linear adjustment ;

Pan : 540°; 8Bit/16Bit ;

Ti lt : 270°; 8Bit/16Bit ;

3-phase motor for Pan/Ti lt fast moving speed & noiseless;

IP Rate: IP20;

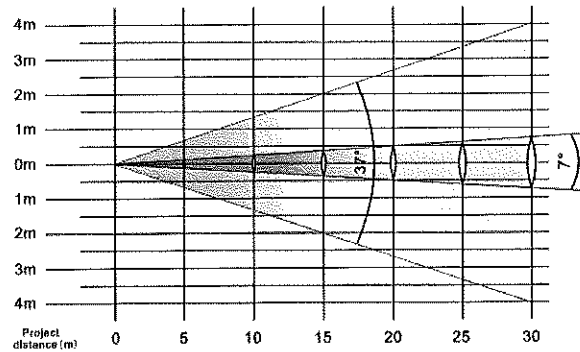
Flight case : 740x400x490 mm; carton : 460x305x420 mm;

Net weight : 12 KG;

Can make the clear spot when beam angel in 7.9 degree , can be wash when in big angel

2.luminous diagram

Luminous diagram/光效图



Lumen/照度表

DISTANCE	10m		20m		30m	
ILLUMINATION	2091	360	523	90	232	40
SPOT SIZE	Φ1.29m	Φ0.5m 200mm	Φ2.59m	Φ13.02m 200mm	Φ3.88m	Φ19.53m 200mm

6.CONTROL PANEL MENU OPERATE

BEAMSPOT LCD DISPLAY CONTENTS				
Main Menu	Submenu 1	Submenu2	Function SET	Function description
DMX ADDRESS	<<		1-512	address minimum value 1
	>			address + 1
	>			address - 1
	<<			address maximum value 512
			SAVE	save date bakck to main inferface
			ESC	back to main inferface

FEATURES SETTING	Run Mode:		DMX	DMX
			Wire	inactive
			Aoto	inactive
	Channel Mode:		14CH	14CH
			25CH	25CH
			90CH	90CH
	Pan Reverse:		Off	Pan Scan Normal
			On	Pan Scan Reverse
	Tilt Reverse:		Off	Tilt Scan Normal
			On	Tilt Scan Reverse
	Opto Check:		Off	Pan/Tilt optical sensor testing off
			On	Pan/Tilt optical sensor testing on
	PT Speed:		Noml	Pan/Tilt Scan Speed setting nomal
			Slow	Pan/Tilt Scan Speed setting slow
			Fast	Pan/Tilt Scan Speed setting fast
	Singl Clear:		Off	keep signal data
			On	clear signal data
			ADV.	enter advanced function
			RST.	reset and back to main inferface
			SAVE	save the date and back to inferface
			ESC	back to main inferface
ADVANCED FUNCTION	Redress	ZEROSETTING		
	Pan:		0-255	Motor zero calibration
	Tilt:			
	Focus:			
			SAVE	save date and back to last interface

			>	the current value + 1	
			<	the current value - 1	
			ESC	back to last interface	
	ChanlDef			inactive	
	FactSett				
	UseManage	Limit	LimitTime	inactive	
			limitCont	inactive	
		DefConfig	YES	restore default and exit from the current interface	
			NO	exit from the current interface	
		FacConfig	SAVE	save factory configuration ,exit from current interface	
			EPRT	export factory configuration exit from current interface	
			ESC	exit from current interface	
			ESC	back to last interface	
UNLOCK	Verify1:		0-255	unlocking code	
	Verify2:				
			KEY	password to enter the next interface ; Otherwise the exit from the current interface	
			ESC	exit from current interface	
MANUAL	LAMP REST		ALL MOTER	all motors	
			XY MOTER	function inactive	
			PART MOTER	function inactive	
			YES	Reset the selected motor	
			ESC	back to last interface	
	TEST RUN	AUTO			auto
		SOUND			sound control
				ESC	back to last interface
SMULATE DMX	Strobe:	0-255		manual control	
	Dimmer:				
	Focus:				
	Pan:				

		Pan Fine:		
		Tilt:		
		Tilt Fine:		
		Function:		
		Macro Colour:		
		Red:		
		Green:		
		Blue:		
		White:		
		Colour Grad:		
		Gobo:		
		Shape Selection:		
		Shape Speed:		
		Shape Fade:		
		Shape R:		
		Shape G:		
		Shape B:		
		Shape W:		
		Shape Dim:		
		Background Dim:		
Reserved:				
		>	current value + 1	
		<	current value - 1	
		ESC	back to last interface	
	ESC		back to main interface	
SYSTEM INFO	DMX VALUE	CH00-CH25	0-255	DMX value number
	REST INFO	Pan:	Right/Error	Motor reset state
		Tilt:		
		Focus:		
		Pan Opto:		
		Tilt Opto:		
			ESC	back to last interface
	OTHER INFO	Run Time:	0-9999	
Run Count:		0-9999		fixture running times
Residue T:		Most		runing hours unlimited

		Residue C:	Most	runing time unlimited
		Type:	1915	light model
		Temp:	xxx	led temperature
		Fan 1:	0-9999	Fan 1 rotate speed
		Fan 2:	0-9999	Fan 2 rotate speed
		DisVersion:	Vxxx	Panel software version number
		XY Version:	Vxxx	XY Driver software version number
		M1 Version:	Vxxx	M1 software version number
		M2 Version:	Vxxx	M2 software version number
			ESC	back to last inferface
	ESC			back to main interface
DISPLAY SETTING	Light Set:		1-7Lev	Backlight brightness Settings
			On	backlight keeps on
	Light Off:		1Min	backlight off in 1 minutes
			2Min	backlight off in 2 minutes
			3Min	backlight off in 3 minutes
	Menu Back		Off	close menu to return automatically
			1Min	The menu returns in 1 minute
			2Min	The menu returns after 2 minute
			3Min	The menu returns after 3 minute
	Light Flash:		Off	Closing backlight flashing
			On	open backlight flashing
	Touch Cali:		Off	Close touch calibration
			On	open touch calibration
			SAVE	save the date and back to inferface
		ESC	back to main interface	
DIMMER SETTING	Dimmer Mode:		Fast	fast
			Noml	smooth
	Balance SW:		Off	The white balance off
		On	The white balance on	

	Balance Red:			The white balance red
	Balance Green:		0-255	The white balance green
	Balance Blue:			The white balance blue

7. channel list

LM285 channel list									
14CH	25CH	90CH	Function	DMX value	Description				
1	1	1	Strobe	0 -19	Strobe OFF				
				20 -24	Strobe ON				
				25 -64	Strobe Fast-Slow				
				65 -69	Strobe ON				
				70 -84	Slow input Strobe Fast-Slow				
				85 -89	Strobe ON				
				90 -104	Slow output Strobe Fast-Slow				
				105-109	Strobe ON				
				110-124	Random Strobe Fast-Slow				
				125-129	Strobe ON				
				130-144	Random Slow input Strobe Fast-Slow				
				145-149	Strobe ON				
				150-164	Random Slow output Strobe Fast-Slow				
				165-169	Strobe ON				
				170-184	Pulse Strobe Fast-Slow				
				185-189	Strobe ON				
				190-204	Random Pulse Strobe Fast-Slow				
				205-209	Strobe ON				
				210-224	Strobe Fast-Slow				
				225-229	Strobe ON				
				230-244	Exposure Strobe Fast-Slow				
				245-255	Strobe ON				
				2	2	2	Dimmer	0 -255	Linear Dimmer Dark-Bright
				3	3	3	Focus	0 -255	Linear Focus
4	4	4	Pan Rotation	0 -255	0-540 degree				

5	5	5	Pan Fine	0 -255	Pan Fine
6	6	6	Tilt Rotation	0 -255	0-270 degree
7	7	7	Tilt Fine	0 -255	Tilt Fine
8	8	8	Function set	0 -9	No function
				10 -14	Whole light Reset
				15 -39	No function
				40 -44	XY Normal mode
				45 -49	XY Fast mode
				50 -54	XY Slow mode
				55-255	No function
				0 -9	No function
				10 -14	Moroccan Pink
				15 -19	Pink
				20 -24	Special rose Pink
				25 -29	Follies Pink
				30 -34	Fuchsia Pink
				35 -39	Surprise Pink
9	9	9	Color wheel	40 -44	Congo Blue
				45 -49	Tokyo Blue
				50 -54	Deep Blue
				55 -59	Just Blue
				60 -64	Medium Blue
				65 -69	Double CT Blue
				70 -74	State Blue
				75 -79	Full CT Blue
				80 -84	Half CT Blue
				85 -89	Steel Blue
				90 -94	Lighter Blue
				95 -99	Light Blue
				100-104	Medium Blue Green
				105-109	Dark Green
				110-114	Primary Green
				115-119	Moss Green
				120-124	Fern Green
				125-129	JAS Green
				130-134	Lime Green
				135-139	Spring Yellow
				140-144	Deep Amber
				145-149	Chrome Orange

				150-154	Orange				
				155-159	Gold Amber				
				160-164	Millennium Gold				
				165-169	Deep Golden Amber				
				170-174	Flame Red				
				115-179					
				180-201	Color clockwise run from fast to slow				
				202-207	Stop				
				208-229	Color anticlockwise run from slow to fast				
				230-234	No function				
10	10	10	Red beam	0-255	Red Dimmer Dark-Bright				
				0-255	Green Dimmer Dark-Bright				
				0-255	blue dark - bright				
11	11	11	Green beam	0-255	Green Dimmer Dark-Bright				
				0-255	blue dark - bright				
12	12	12	Blue beam	0-255	blue dark - bright				
				0-255	white dark- bright				
14	14	14	Color slow change	0 -7	--F82				
				8 -39	Red to Yellow				
				40 -71	Yellow to Green				
				72 -103	Green to Cyan				
				104-135	Cyan to Blue				
				136-167	Blue to Magenta				
				168-199	Magenta to Red				
				200-231	Red to White				
				232-255	Color change slow - fast				
				15	15	15	LED gobo	0 -4	-F91
								5 -9	Gobo 1
								10 -14	Gobo 2
								15 -19	Gobo 3
								20 -24	Gobo 4
...	...								
185 -189	Gobo 37								
190 -194	Gobo 38								
195 -199	Gobo 39								
200 -204	Gobo 40								
205 -224	Gobo clockwise run from fast to slow								
225 -234	Stop								
235 -255	Gobo anticlockwise run from slow to fast								
16	16	16	Built-in	0 -4	No function				

		effects	5 -14	LED built-in effect1
			15 -24	LED built-in effect2
			25 -34	LED built-in effect3
			35 -44	LED built-in effect4
		
			155-164	LED built-in effect16
			165-174	LED built-in effect17
			175-184	LED built-in effect18
			185-194	LED built-in effect19
			195-255	Switch Auto. after 1 minute
	17	Effect speed	0 -255	LED built-in effect speed Slow-Fast
	18	Effect slow input	0 -255	LED built-in effects Gradient Overlay
	19	Effect red	0 -255	Red Dimmer Dark-Bright
	20	Effect green	0 -255	Green Dimmer Dark-Bright
	21	Effect blue	0 -255	Blue Dimmer Dark-Bright
	22	Effect white	0 -255	White Dimmer Dark-Bright
	23	Effect Dimmer	0 -255	Dimmer Dark-Bright
	24	Effect backlight	0 -255	Dimmer Dark-Bright
	25	Reserve	0 -255	
	15	R1Dimmer	0 -255	R1Dimmer Dark-Bright
	16	G1Dimmer	0 -255	G1Dimmer Dark-Bright
	17	B1Dimmer	0 -255	B1Dimmer Dark-Bright
	18	W1Dimmer	0 -255	W1Dimmer Dark-Bright
	
	87	R19Dimmer	0 -255	R19Dimmer Dark-Bright
	88	G19Dimmer	0 -255	G19Dimmer Dark-Bright
	89	B19Dimmer	0 -255	B19Dimmer Dark-Bright
	90	W19Dimmer	0 -255	W19Dimmer Dark-Bright