



WYETH 2.000 W Quartz – Halogen Softlight



Mod. 3210

FEATURES

The Wyeth line of Soft Lights offers a soft, smooth field that is the perfect fill light for any set. The Wyeth 1000W and 2000W offer a shallow profile for studios with lower ceiling heights or location applications.

Main features:

- Soft, even optics
- Multiple reflectors- standard white or aluminum
- Hinged, drop down socket compartment for easy re-lamping
- Unique lamp socket venting system aids airflow for lamp longevity
- Stackable Egg Crates for added control and flexibility - Isolated, cool to the touch switch on the rear of the fixture

PHISICAL

- Constructed of a slotted sheet metal housing, allowing air flow over the lamp & reflector
- Finished with a high temperature, heat resistant electro-statically deposited black epoxy paint
- Equipped with an integral, double accessory track with spring loaded lock
- Hinged lamp access panel equipped with two locking hasps for fast and secure re-lamping even in the presence of already mounted accessories
- Heavy duty tubular steel yoke which holds fixture rigidly in any position
- Clutch activated T-handle for secure, single hand operation
- UL Listed

POLE OPERATED VERSION

Pole operated yoke constructed from precision die cast parts & steel tubing allowing for control of the pan & tilt All movement using the pole operated colorcoded cups is clutch controlled and capable of manual movement of the unit

ELECTRICAL 115-240V, 50/60Hz

- 14/3 SO 90° type cable
- Two (2) 10 amp built-in on/off toggle switches
- Twelve foot (12') standard lead on stand
- mount version only
- Six foot (6') standard lead on studio & pole
- operated versions
-

LAMP

- Two (2) 1000w Lamps Maximum
- Two (2) R7s linear double ended sockets for linear double ended quartz halogen lamps (see table for suitable lamps)

OPTICAL

- Specially designed laminated frosted white paint aluminum reflector
- Shallow reflector design
- Optional silver reflector
- Stackable eggcrates

USABLE LAMPS

Length-watt-filament	230 v		120 v	
	ANSI	LIF	ANSI	LIF
118 – 1000 – sc 8	-	P2/20	FCM	P2/28

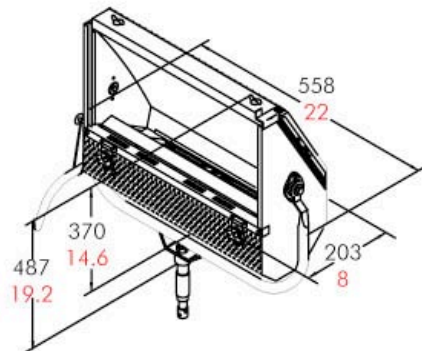
PHOTOMETRIC DATA

Values measured with: P2/20 Lamp- 230 V and Silver Reflectors									
		FEET				METERS			
TYPICAL DISTANCES		10'	20'	30'	40'	3,0	6,0	9,0	12,0
LIGHT CENTER VALUES	Candle Power	Footcandles				Lux			
	10.906	109	27	12	7	1.212	303	135	76
BEAM ANGLE Width x Height		F.C. AT ANY DISTANCE = Candle Power : (distance in ft) ²				LUX. AT ANY DISTANCE = Candle Power : (distance in ft) ²			
		BEAM SIZE (W x H in feet)				BEAM SIZE (W x H in meters)			
WIDTH	70,0°	14.0'	28.0'	42.0'	56.0'	4,2 mt	8,4 mt	12,6 mt	16,8 mt
HEIGHT	66,0°	13.0'	26.0'	39.0'	52.0'	3,9 mt	7,8 mt	11,7 mt	15,6 mt

DIMENSIONS

Dimensions in mm.

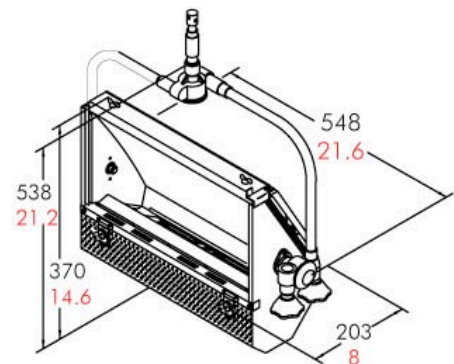
Dimensions in inches



M.O. version 7,48 kg
16.5 lbs

Dimensions in mm.

Dimensions in inches



P.O. version 8,62 kg
19 lbs