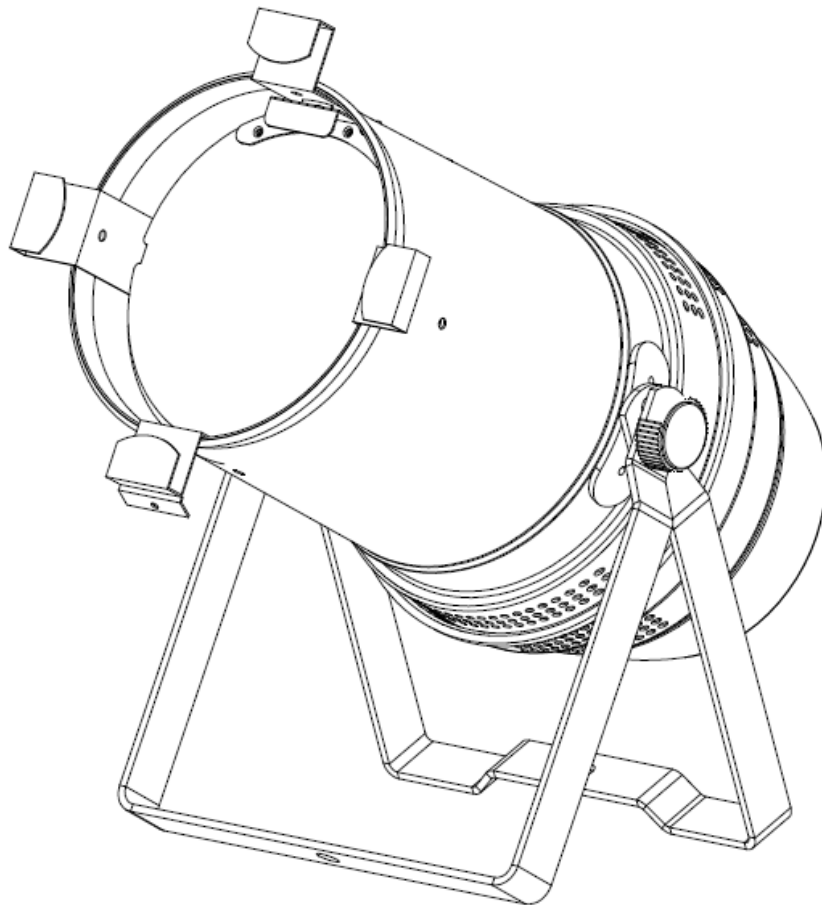




**200W WHITE LED PAR64**

**PAR LED COB WW 200W**



**User Manual**

# Please read this manual carefully before use!

Thank you for purchasing our 200W COB WHITE LED PAR64. Please read user guide for safety and operations before using. Keep this manual for future reference.

## 1. Safety Instructions



WARNING

Please read the instruction carefully which includes important information about the installation, usage and maintenance.

- Please keep this User Manual for future consultation. If you sell the fixture to another user, be sure that they also receive this instruction booklet.
- Please unpack and check carefully there is no transportation damage before using the fixture.
- Please disconnect main power before servicing and maintenance.
- The unit must be installed in a location with adequate ventilation, at least 50cm from adjacent surfaces. Be sure that no ventilation slots are blocked.
- The maximum ambient temperature is  $T_a:40^{\circ}$  C. DO NOT operate it where the temperature is higher than this.
- DO NOT connect the device to any dimmer pack.
- The housing must be replaced if they are visibly damaged.
- Unit surface temperature may reach up to  $85^{\circ}$  C. Don't touch the housing bare-hand during its operation. Turn off the power and allow about 15 minutes for the unit to cool down before replacing or serving.
- There are no user serviceable parts inside the fixture. Do not open the housing or attempt any repairs by yourself. In the unlikely event your fixture may require service, please contact your nearest dealer.
- In the event of serious operating problem, stop using the fixture immediately. Never try to repair the fixture by yourself. Repairs carried out by unskilled people can lead to damage or malfunction. Please contact the nearest authorized technical assistance center. Always use the same type spare parts.

## 2. Safety Instructions

- 1/2/3 Channel Mode;
- Dimmer, Strobe;
- Ideal for Professional stages, Concerts, Clubs, Discotheques, Mobile Djs, etc.
- **Input Voltage:** AC100V~240V,50/60Hz
- **Total Power consumption:** 230W

- **Beam Angle:** Stepless manual zoom from 10° to 50°
- **IP rating:** IP20
- **LED Sources:** 200W White COB LED
- **CRI/R9:** CRI>95;R9>90
- **Color Temperature:** 3200K
- **Product Dimension:** 498x265x265mm
- **Weight(N.W):** 4.0 Kgs

### 3. Checking Parts

Please check if the following parts are included:

- 1pc x 200W par 64
- 1pc x Power cable
- 1pc x User manual

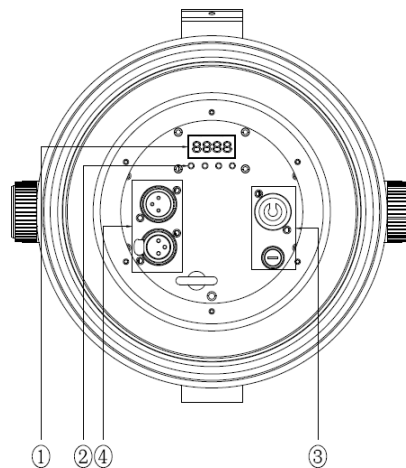
### 4. Installation and Connection

The unit should be mounted via its screw holes on the bracket. Always ensure that the unit is firmly fixed to avoid vibration and slipping while operating. Always ensure that the structure to which you are attaching the unit is secure and is able to support a weight of 10 times of the unit's weight. Also always use a safety cable that can hold 12 times of the weight of the unit when installing the fixture.

The equipment must be fixed by professionals. And it must be fixed at a place where is out of the touch of people and has no one pass by or under it. The unit should be mounted in the height of 0 to 30m.

### 5. How to set the unit

#### Rear Panel



- ① **Display** : Show the various menus and the selected functions;

POWER	On	Power On
DMX	On	DMX input present

- ② **Button:**

MENU	To select the programming functions
DOWN	To go forward in the selected functions
UP	To go backward in the selected functions
ENTER	To confirm the selected functions

- ③ **Main input:** PowerCon

- ④ **DMX input/output:** For DMX512 link, use 3-pin XLR plug cable to input DMX signal, and to link the next unit.

## 6. Main Function

To select any functions, press **MENU** button until the required one is shown on the display. Select the function by **ENTER** button. Use **DOWN** and **UP** button to change the mode. Once the required mode has been selected, press **ENTER** button to setup or it will return to the main functions without any change after idling 8 seconds automatically. Back to the functions without any change press **MENU** button.

The main function are shown below:

Main Menu	Sub Menu	Operation		Function	Remarks
	Addr (set address)	enter	+/-	set address (001-512)	
	Chnd (channel option)	enter	+/-	1Ch	
				2Ch	
				3Ch	
	Dind (dimmer)	enter	+/-	stda (standard scene)	
				stge (stage scene)	
				tv (TV scene)	
				aral (building scene)	
				thal (theatre scene)	

MENU (Nenu)	Freq (dimmer frequency)	enter	+/-	900Hz	Press ENTER to confirm (save and exit)
				1000Hz	
				1100Hz	
				1200Hz	
				1300Hz	
				1400Hz	
				1500Hz	
				2500Hz	
				4000Hz	
				5000Hz	
				10K	
				15K	
				20K	
				25K	
MENU (Nenu)	Gamma correction	enter	+/-	NO	Press ENTER to confirm (save and exit)
				2	
				2.2	
				2.4	
				2.6	
				2.8	
	SInd	enter	+/-	Mast (master)	
				SI 1 (slave)	
	Lost	enter	+/-	blac	
				hold	
				auto	
	Manu	enter	+/-	d000-d255 ( manual dimmer 0-255)	
MENU (Nenu)	Tenp (temperature)	enter		00C-90C	
	Led (set backlight )	enter		on	
				off	
	disp (display reverse)	enter		on	
				off	
	Fhrs (working hours)	enter		total working hour	
	Ver (software version)	enter		software version	
defa (set default)	enter		default		

## 7. DMX512 configuration

### Channel Mode:

#### 1 Channel Mode

Channel	Function	Value	Details
CH1	Dimmer	000-255	Master Dimmer 0-100%

#### 2 Channel Mode

Channel	Function	Value	Details
CH1	Dimmer	000-255	Master Dimmer 0-100%
CH2	Strobe	000-015	Strobe on
		016-095	Strobe (1HZ-25HZ Slow-Fast)
		096-175	Strobe (1HZ Slow-Fast)
		176-255	Random Strobe

#### 3 Channel Mode

Channel	Function	Value	Details
CH1	Dimmer	000-255	Master Dimmer 0-100%
CH2	Dimmer_Fine	000-255	Fine dimmer
CH3	Strobe	000-015	Strobe on
		016-095	Strobe (1HZ-25HZ Slow-Fast)
		096-175	Strobe (1HZ Slow-Fast)
		176-255	Random Strobe

## 8. Troubleshooting

Following are a few common problems that may occur during operation. Here are some suggestions for easy troubleshooting:

### A. The fixture does not work, no light

1. Check the connection of power and main fuse.
2. Measure the mains voltage on the main connector.

### B. Not responding to DMX controller

1. DMX LED should be on. If not, check DMX connectors, cables to see if link properly.
2. If the DMX LED is on and no response to the channel, check the address settings and DMX polarity.
3. If you have intermittent DMX signal problems, check the pins on connectors or on PCB of the fixture or the previous one.
4. Try to use another DMX controller.
5. Check if the DMX cables run near or run alongside to high voltage cables that may cause damage or interference to DMX interface circuit.

## **9. Fixture Cleaning**

The cleaning of internal must be carried out periodically to optimize light output. Cleaning frequency depends on the environment in which the fixture operates: damp, smoky or particularly dirty surrounding can cause greater accumulation of dirt on the fixture's optics.

- Clean with soft cloth using normal glass cleaning fluid.
- Always dry the parts carefully.
- Clean the external optics at least every 15 days. Clean the internal optics at least every 30/60 days.