

User instructions

ArcLine Outdoor 20 MC, ArcLine Outdoor 40 MC

The modules generate colored light by means of the Cree LEDs. The products were designed for exterior use and they are ideal for locations where effect lighting with long lifetime is required.

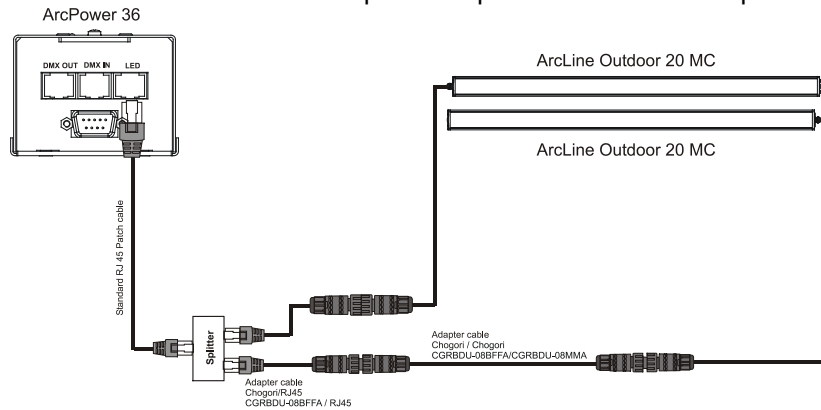
1. Attention

Consider the respective national norms during the installation!

- Do not install the unit near naked flames.
- Avoid using the unit in locations subject to possible impacts.
- Do not attempt to dismantle or modify the unit.
- Avoid looking directly into the LED light beam at close range.
- Do not install the module in badly ventilated location

2. Installation

The ArcLine Outdoor unit should be connected to the ArcPower drivers - See the ArcPower 36/72/144/360/384 Rack Mount user manuals for full details of mains power requirements and DMX operation.



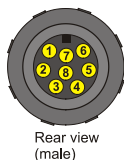
CAUTION!
Avoid looking directly into the LED light beam at close range!

The ArcLine Outdoor unit can be arranged in any position orientation. Spotlight body is mounted on a steel “U” brackets for “tilt” adjustment, with fixings which can be locked in position to retain the focus of the unit beam. Maximum possible number of LED modules connected to the one ArcPower 36 (or one LED output zone of the ArcPower 72/144/360/384 Rack Mount) is mentioned in the table below.

Module	Number of LED multichips	Max. number of connected modules	Compatible power supplies
ArcLine Outdoor 20 MC	5	2	ArcPower 36/72/144/360/384 R.M.
ArcLine Outdoor 40 MC	10	1	ArcPower 36/72/144/360/384 R.M.

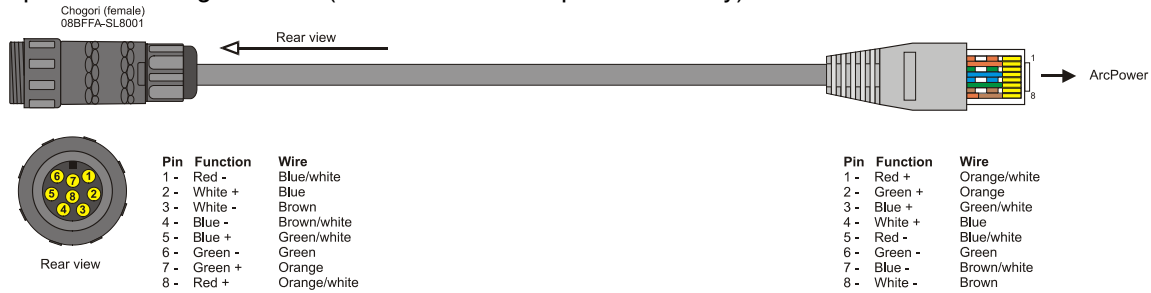
Connections:

1. ArcLine Outdoor 20 (40) MC



- | Pin | Function |
|-----|----------|
| 1 - | Red - |
| 2 - | White + |
| 3 - | White - |
| 4 - | Blue - |
| 5 - | Blue + |
| 6 - | Green - |
| 7 - | Green + |
| 8 - | Red + |

2. Adapter cable Chogori -RJ45 (it is not a standard part of delivery)



3. Adapter cable Chogori -Chogori (it is not a standard part of delivery)

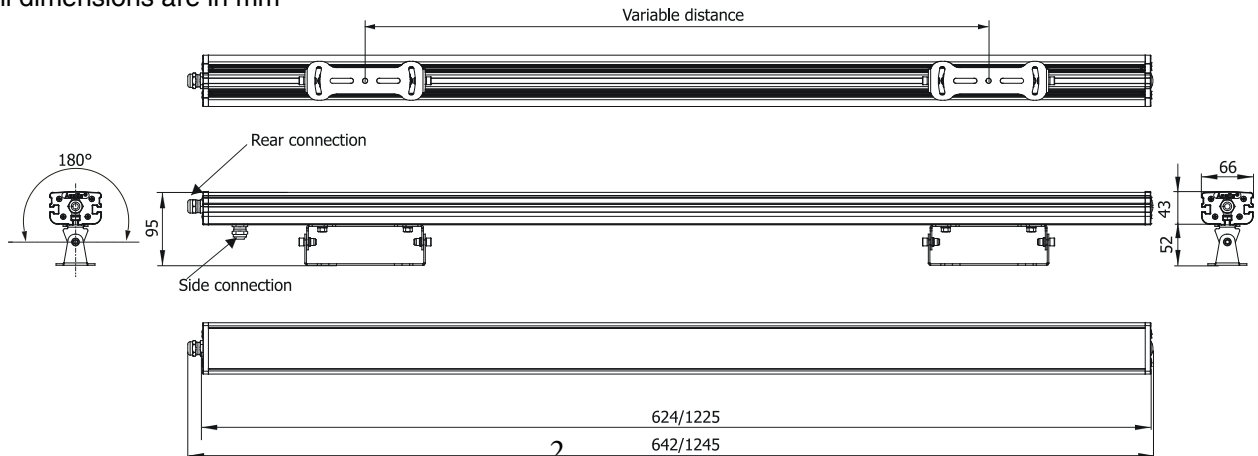


3. Technical specifications

Parameter	ArcLine Outdoor 20 MC	ArcLine Outdoor 40 MC
Max. power consumption:	22W	44W
Max. Input Current per Colour:	350 mA	350 mA
LED Device:	Cree MC-E RGBW multichip	Cree MC-E RGBW multichip
Number of LED multichips:	5	10
Typical Lumen Maintenance:	70% @ 60,000 hours	70% @ 60,000 hours
Led Life Expectancy:	60,000 hours	60,000 hours
Beam angle:	98°	98°
Compatible Power Supplies:	ArcPower 36/72/144/360	ArcPower 36/ 72/144/ 360
Operating Ambient Temp. Range:	-20°C/+40°C	-20°C/+40°C
Surface temperature @25°C	40°C	40°C
Cooling System:	convection	convection
Construction: body	precision extruded alluminium	precision extruded alluminium
“U” holder	zincing steel	zincing steel
Transparent cover:	clear tempered glass	clear tempered glass
Weight:	3.2 kg	5.8 kg
Ingress Protection:	IP 65	IP 65
Flammability:	94V-0 flame class rating	94V-0 flame class rating
Power /Data plug:	Chogori 08BMMA-SL8001	Chogori 08BMMA-SL8001
Power /Data cable type:	LiYY 8xAWG22 UL Style 2517/CSA O.D. 6,70mm (for both variants)	
length:	0.5 m	0.5m

4. Dimensions (ArcLine Outdoor 20MC/40MC):

All dimensions are in mm



5. Accessories

- 1x Allen key
- 1x Splitter (No. 13050690), ArcLine Optic 20MC only
- 1x Connector Chogori CGRBDU-08BFFA (female), IP68

6. Optional Accessories

- Adapter cable CGRBDU-08BFFA/ CGRBDU-08BMMA, L=3m (No. 13051960), IP68
- Adapter cable CGRBDU-08BFFA/RJ45, L=0.25m (No. 13051966)
- T-connector Chogori 8-pin (No. 13051938), IP 67

7. Maintenance

- Periodically clean the front transparent cover, particularly if the unit is exposed to the weather.
- Use a moist, lint-free cloth. Never use alcohol or solvents.