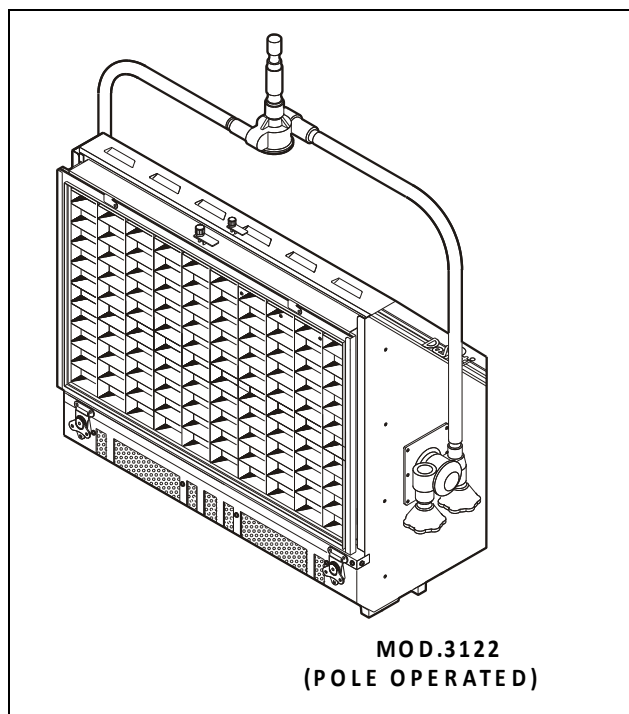
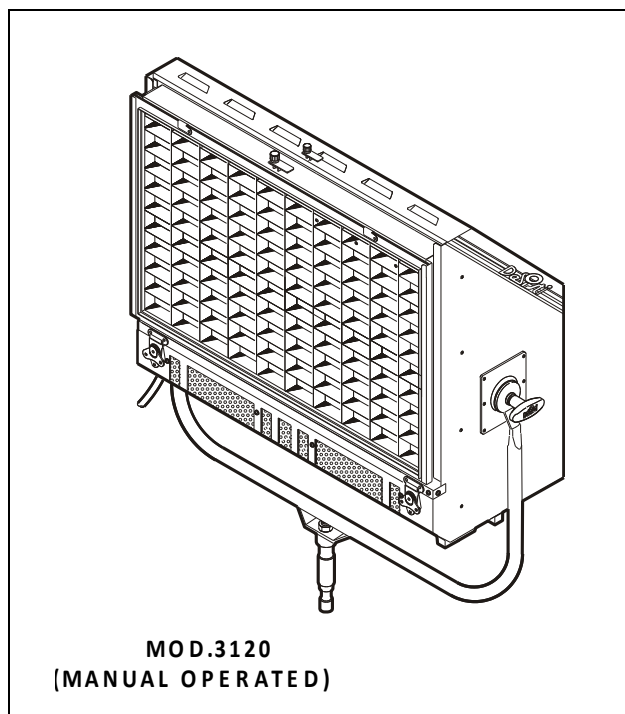




BOTTICELLI 5.000 W Quartz-Halogen Softlight Standard EN-60598-2-17 Class 1

INSTRUCTION MANUAL

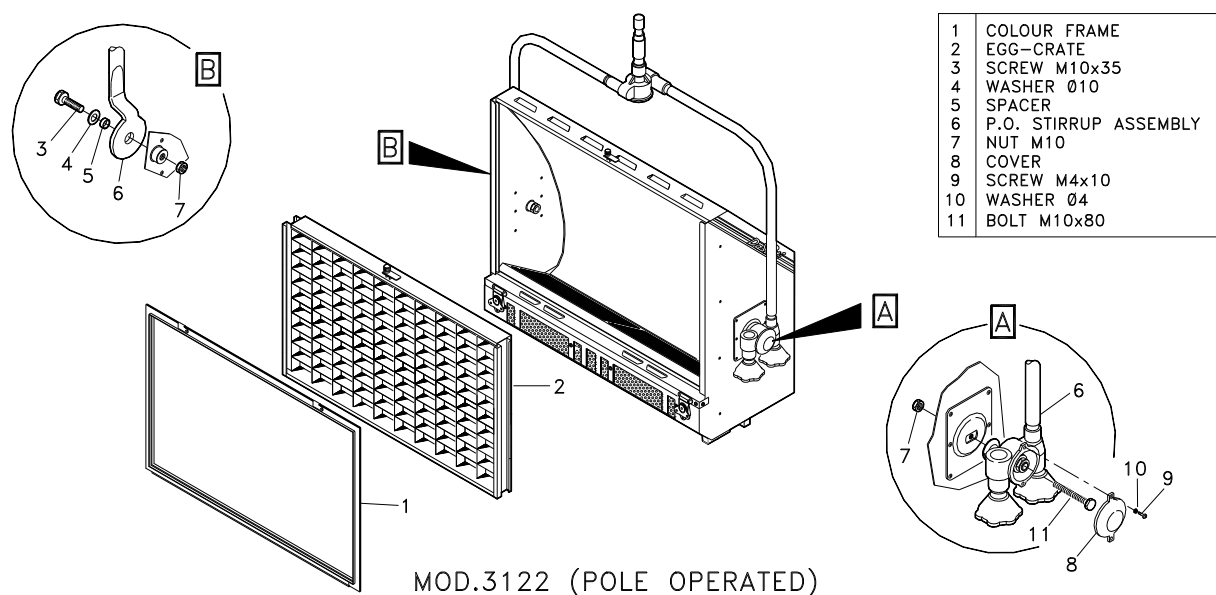
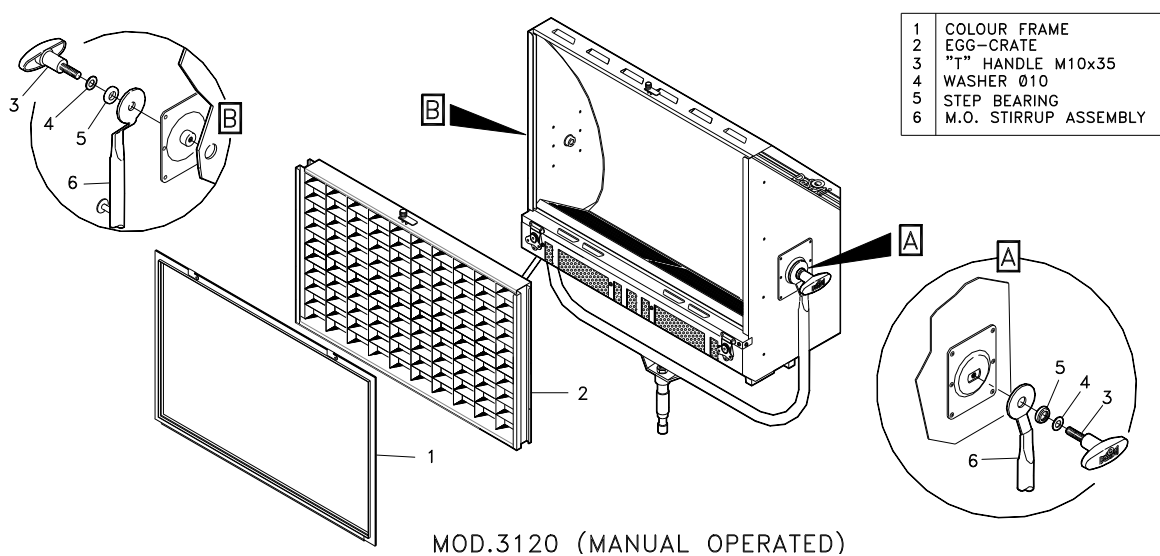


1. INTRODUCTION

Congratulations on your purchase of a BOTTICELLI 5 kW lighting fixture from De Sisti Lighting, our commitment to Total Customer Satisfaction and a consolidated experience in leading the innovation in the manufacturing of lighting products for the professional Entertainment Industry mean you can depend upon the quality of this product.

The BOTTICELLI 5 kW is a compact and robust softlight using 4 tungsten-quartz-halogen linear filament lamps having R7s sockets, Length of 189 mm. and max. 1,25 kW power each.

2. YOKE AND ACCESSORIES ASSEMBLY




3. SAFETY INSTRUCTIONS

- **Professional use:** This luminaire has been designed for professional use and must be operated by qualified personnel only. **Not for residential use.**
- **Grounding: WARNING: THIS LUMINAIRE MUST BE GROUNDED**
- **Electrical connections: IMPORTANT** The cores in this mains lead are colored in accordance with the following code:

	<u>Europe</u>	<u>America</u>
<i>Ground</i>	Green & yellow	Green or green & yellow
<i>Neutral</i>	Blue	White
<i>Live</i>	Brown	Black

In case the colors of the cores do not correspond to the colors of the connection points on your plug, please proceed as follows:

- the green or green and yellow core must be connected to the connection point marked with the letter E or with the symbol  or colored in green or in green - yellow;
- the blue (or white) core must be connected to the connection point marked with the letter N or colored in black;
- the brown (or black) core must be connected to the connection point marked with the letter L or colored in red.

Working conditions

➤ Insertion time	100%			
➤ Working Position	Max. Tilting on vertical plane $\pm 90^\circ$ from straight horizontal			
➤ Ambient Temperature, t_a	-20° C ÷ +45° C			
➤ Humidity	Not condensing			
➤ Minimum distances from inflammable surfaces	Top	Back	Sides	Front
	0,4 m.	0,1 m.	0,1 m.	4 m.

The luminaire should never be OPERATED close to inflammable materials. The ones indicated in the above table are the minimum distances recommended. Other requirements for safe use are:

- A. Do not cover the apertures of the luminaire housing. They are essential for correct ventilation. Do not use on the floor. It reduces the ventilation.
- B. Use only original accessories and spares from De Sisti Lighting.
- C. Before hanging the luminaire ensure that the suspension point (or the stand) is properly rated to accept the luminaire weight.
- D. In case of pole operated use, fit only a P.O. stirrup from De Sisti Lighting.
- E. A suitable secondary safety suspension device (safety cable, chain or equivalent) must be fitted between the suspension point and stirrup.
- F. Don't use the luminaire in an environment where the ambient temperature is higher than the maximum nominal one, t_a , indicating the rating.

4. INSTALLATION INSTRUCTIONS

Before connecting the luminaire to the electrical mains ensure that:

A - Earth line is present on the power socket.

B - The mains voltage is within the rated range of the luminaire (see technical data on the rating label)

C - The lamps fitted:

- are among the recommended lamps (see De Sisti Lighting catalogue or contact your De Sisti dealer)
- have the same nominal voltage as the mains supply
- have a nominal power not higher than 1 fourth of the maximum power of the luminaire

NB: the luminaire nominal frequency rate is 0 - 60 Hz.

D - The front safety shields against the lamp explosion are present and in good condition.

Depending on luminaire type these items may consist of:

- wire mesh guard 3 mm x 3 mm
- safety or dichroic glass plus wire guard 12 mm x 12 mm
- Fresnel lens plus wire guard 25 mm x 25 mm.

Shields, lenses safety or dichroic glasses shall be changed if they have become visibly damaged to such an extent that their effectiveness is impaired, for example by cracks or deep scratches.

5. LAMP INSTALLATION AND REPLACEMENT

The following procedure should be adopted:

A - Ensure the luminaire is electrically isolated from the power supply.

B - WAIT LEAST 5 MINUTES FROM SWITCHING OFF to avoid risk of injury from possible lamp explosion. Then open the front hinged door holding the lamp assembly.

WARNING: AFTER THE ABOVE MENTIONED TIME THE LAMPS MAY STILL BE VERY HOT, USE PROPER THERMAL PROTECTION (EG. GLOVES).

C - Check that the new lamps are of the correct type.

D - Replace the lamps taking good note of the following:

do not touch the bulb with bare-hands; oil and grease can contaminate the bulb surface and then reduce the performance and the lamp life. The plastic cover which protects the lamp should not be removed until after fitting should the bulb become dirty due to hand contact or for any other reason, it can be cleaned with a cloth moistened with alcohol.

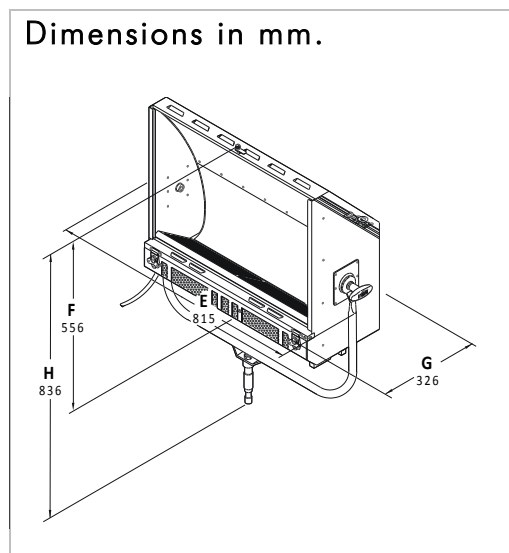
E - Ensure that any safety device that has been removed is refitted correctly or that the lens door is securely closed.

6. CHARACTERISTICS AND PERFORMANCE DATA

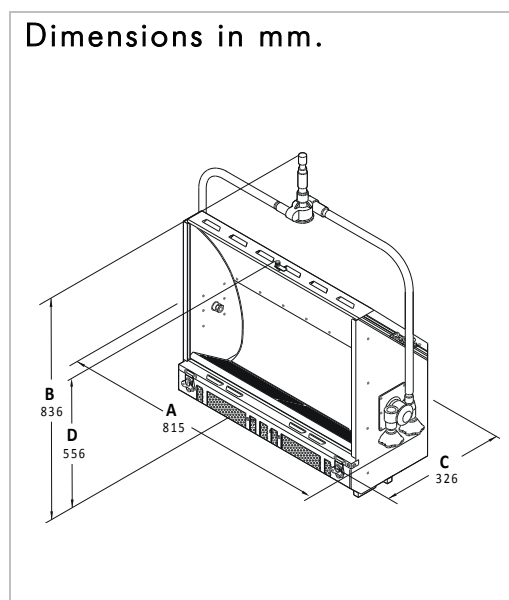
DESCRIPTION	VALUE			
➤ Power Input	Max. 5.000W			
➤ Power supply	Europe		America	
	230 V / 50 Hz		110 V / 60 Hz	
➤ Switch on the fixture	M.O.		P.O.	
	4 x TOGGLE 10 A		Europe	America
			Rotary 45 A	4 x Toggle 10 A
➤ Lamp Holder	R7s Spring Type			
➤ Power Cable	Europe		America	
	3 x 4 mm ² H07RN-F 90° C rating		3 x 6 AWG TYPE SO 90° C rating	
➤ Protection Class	Class 1 – it requires ground connection			
➤ Protection Type	IP 22			
➤ Max. Housing Surface Temperature	220° C			
➤ Weight of Fixture	M.O.	M.O. USA	P.O.	P.O. USA
	15,5 kg	17,7 kg	16,5 kg	19,2 kg
➤ Weight of Egg-crates	24,5 mm thickness		49 mm thickness	
	1,9 kg.		3,4 kg.	
➤ Weight of color frame	0,85 kg.			

USABLE LAMPS - length-watt-filament	230 v		120 v	
	ANSI	LIF	ANSI	LIF
189 – 625 – sc 8	-	P2/10	Not available	
189 -1000- sc 8	EKM	P2/7	Not available	
189 – 1250 – sc 8	-	P2/12	Not available	
119 – 1000 – sc 8	-	P2/20	FCM	P2/28

Dimensions in mm.



Dimensions in mm.



7. PERIODIC INSPECTION

- A. The condition of the internal wiring insulation and of the input cable shall be inspected and tested every 500 working hours and at least once a year. This frequency may need to be increased if rough or unknown (eg. rental) treatment is incurred. Replace only with original De Sisti Lighting spare parts. Non-original cables may not withstand the thermal and mechanical conditions of use
- B. The lamp condition must be checked every 100 working hours. In order to avoid explosion the lamp should be changed if it has become damaged or deformed. Follow the instructions supplied by the lamp manufacturer.
- C. Check the condition of the safety shield (see chapter 4: Installation Instructions, point D) before every use.

8. SAFETY STANDARDS

Europe: This product conforms the Applicable European Directives and Standards as listed below:	America: the product conforms NEC
<ul style="list-style-type: none"> ☛ Machine Directive: 89/392/EEC (as amended by 91/368/EEC, 93/44/EEC, 93/68/EEC) ☛ Low Voltage Directive: 73/23/EEC (as amended by 93/68/EEC) ☛ EMC Directive: 89/336/EEC (as amended by 93/68/EEC) ☛ European Standards: EN 60598-2-17, EN 292-1, EN 292-2 	