



Slim Type LED Linear Wall Washer



LED Colour Temperature

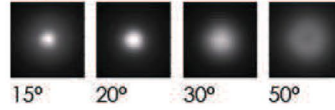
- 2000K
- 3000K
- 6000K

Optics

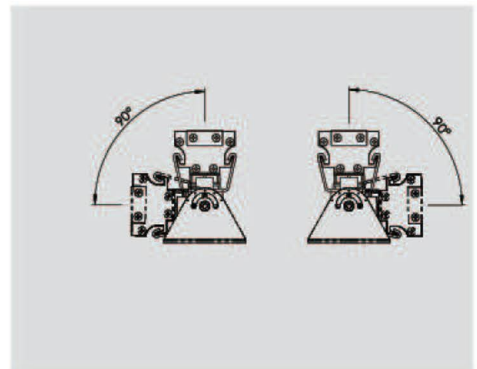


- B17**
- L0115D020ME 15°
 - L0120D020ME 20°
 - L0130D020ME 30°
 - L0150D020ME 50°

B17



Air Valve

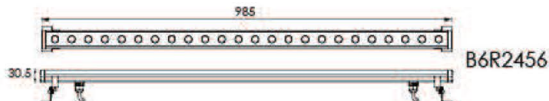


Adjustable beam direction

Outer Dimensions

Unit:mm

Low voltage input (24VDC)



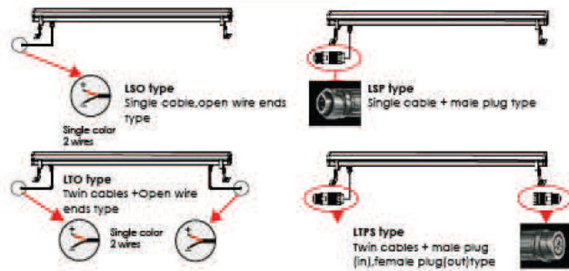
High voltage input (100V-240V)



Material specifications

Housing	Extruded aluminum,powder coated	
Lens	Optical lens, efficiency≥85%	
Light Window	Step tempered glass,T=4mm	
Cable gland	IP68 PG-9 PA66	
Gasket	Glass and housing are silicone sealed	
LED	OSRAM SMD3030	
Operating temperature	-20°C~40°C	
Bracket	Hard chromeplatedstainless steel SUS 304# T=1.5mm	
Power Cable	2XH05RN-F 2X1.0mm² L=0.5m(low voltage) 2XH05RN-F 3X1.0mm² L=0.5m(high voltage)	
Dimmable Support	Triac PWM 1-10V Dali	

Low voltage input (24VDC) power cord model

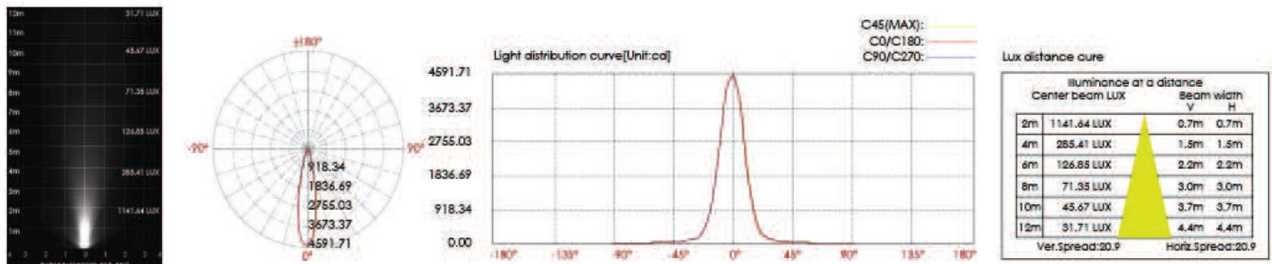


High voltage input (100V-240V) power cord wiring model



Item	Light source	Lens	The manufacturer selected lens degree(°)θ1/2	Length L=(mm)	Input voltage(V)	Typical operating current(mA)	Typical consumption(W)	Typical luminance(lm)	IK rate
B6R0656	6×1.0W Single color	B17	20°	265	24V DC 120/240	24V = 305 120V = 100 240V = 55	24V = 7.5 120V = 7.2 240V = 7.3	Cool white =530 Warm white = 512	02
B6R1256	12×1.0W Single color	B17	20°	510	24V DC 120/240	24V = 610 120V = 130 240V = 65	24V = 14.5 120V = 15.0 240V = 15.0	Cool white =1080 Warm white = 864	02
B6R2456	24×1.0W Single color	B17	20°	985	24V DC 120/240	24V = 1220 120V = 295 240V = 163	24V = 29 120V = 35 240V = 35	Cool white =2140 Warm white =1976	02

B6R1256



B6R2456

