



## GENERAL INFORMATION

ETC combines the efficiency of the HPL lamp with the singular optical qualities of the fresnel optical system to create the truly advanced ETC Source Four Fresnel. Traditional fresnel optics provide a unique quality of blending wash light and beam shaping via barn doors for well-defined, soft-edged area lighting. The Source Four Fresnel combines this classic system with a unique reflector design enabling the HPL 750W-equipped Source Four Fresnel to equal the lumen output of traditional 1000W fresnel luminaires. Spot-to-flood focus is accomplished by large, easy-to-use knob for quick adjustments in inconvenient positions. The unique Quick eXchange socket design permits re-lamping from underneath the fixture without breaking focus in most situations.

## SPECIFICATIONS

### PHYSICAL

- Rugged die-cast aluminium construction
- Convenient full-size zoom adjustment knob
- Unique HPL Quick eXchange socket enables easy lamp changes
- Sliding yoke mount for variable balance point
- Fully enclosed accessory slots for no light leak
- CE compliant

### ELECTRICAL

- 230V-240V, 50/60Hz
- High temperature silicone-rubber 1.5m power cable

### OPTICAL

- 175mm aperture
- Zoom Range
  - 9°-52° beam angle
  - 20°-65° field angle
- True fresnel optical system for good barn door beam shaping characteristics
- Glass reflector with dichroic coating optimized for HPL lamp performance

## SPECIFICATIONS

### LAMP

- HPL – compact tungsten filament contained in a krypton/xenon-filled quartz glass envelope (see table for suitable lamp types)
- Uses same lamp type as all Source Four fixtures for common inventory
- 375W, 575W and 750W (max.) lamp options
- Patented filament geometry makes for extremely efficient light collection and transmission
- Integral die-cast aluminium heat sink lamp base

## ORDERING INFORMATION

### Source Four Fresnel

PART NO.	DESCRIPTION
7064A1201-0X	Source Four CE Fresnel, Black
7064A1201-1X	Source Four CE Fresnel, White
7064A1201-5X	Source Four CE Fresnel, Silver Grey

See page four for Source Four Fresnel accessories



PHOTOMETRICS

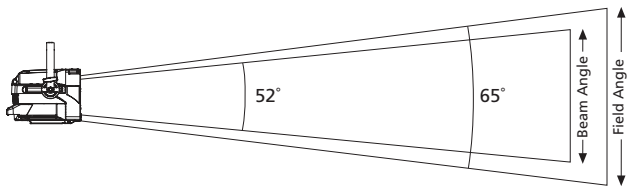
Photometric data below is measured with an HPL 750W/115V 300 hr lamp. To convert data when using any other HPL lamp, use the lumen or candela multiplying factors (Lm MF or Cd MF) for that specific lamp. These multiplying factors are listed in the Lamps table in this datasheet. For lumen data, multiply by the Lm MF. For candela or footcandle data, multiply by the Cd MF.

**Source Four Fresnel - Flood Focus (230V)**

Degree	Candela	Field Lumens	Beam Lumens	Lumens per Watt
65°	15,300	9,460	6,640	12.6

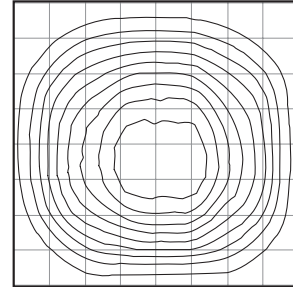
For field diameter at any distance, multiply distance by 1.262

For beam diameter at any distance, multiply distance by .978

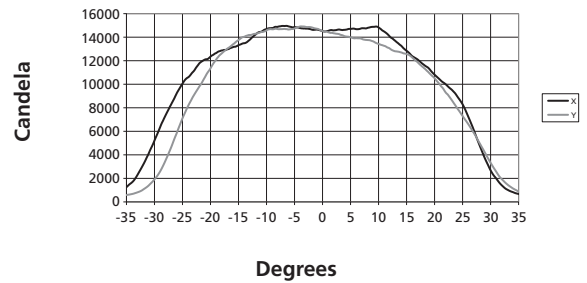


Throw Distance (d)	3.0m	4.6m	6.1m	7.6m
Field Diameter	3.9m	5.8m	7.8m	9.7m
Illuminance (fc)	153	68	38	24
Illuminance (lux)	1,647	732	412	264

**Iso-Illuminance Diagram (Flat Surface Distribution)**



**Candela Plot**

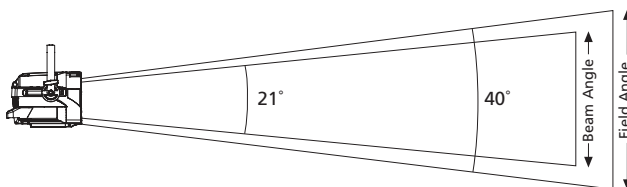


**Source Four Fresnel - Medium Focus (230V)**

Degree	Candela	Field Lumens	Beam Lumens	Lumens per Watt
40°	45,900	6,320	2,960	8.4

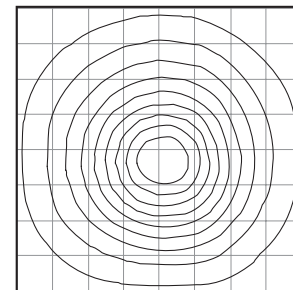
For field diameter at any distance, multiply distance by 0.716

For beam diameter at any distance, multiply distance by 0.367

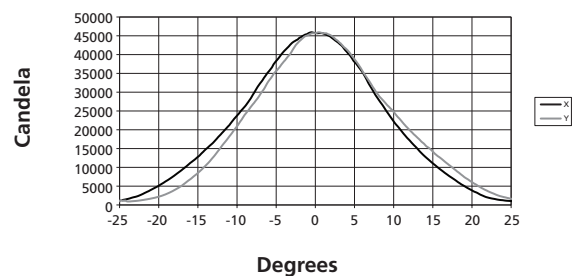


Throw Distance (d)	3.0m	4.6m	6.1m	7.6m
Field Diameter	2.2m	3.3m	4.3m	5.4m
Illuminance (fc)	459	204	115	73
Illuminance (lux)	4,941	2,196	1,235	791

**Iso-Illuminance Diagram (Flat Surface Distribution)**



**Candela Plot**



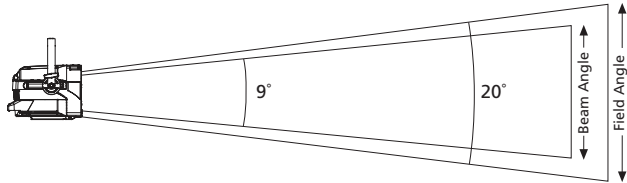
PHOTOMETRICS

**Source Four Fresnel - Narrow Focus (230V)**

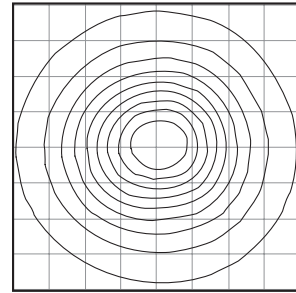
Degree	Candela	Field Lumens	Beam Lumens	Lumens per Watt
20°	103,500	3,700	1,790	4.9

For field diameter at any distance, multiply distance by 0.42

For beam diameter at any distance, multiply distance by 0.21

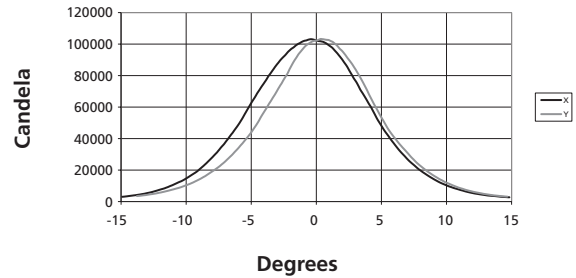


**Iso-Illuminance Diagram (Flat Surface Distribution)**



<b>Throw Distance (d)</b>	3.0m	4.6m	6.1m	7.6m
<b>Field Diameter</b>	1.1m	1.7m	2.2m	2.8m
<b>Illuminance (fc)</b>	1,035	460	259	166
<b>Illuminance (lux)</b>	11,141	4,951	2,785	1,7

**Candela Plot**



L A M P S

To determine Candela (Cd) or Lumens (Lm) for any other HPL lamp, multiply the Candela or Lumen value by the appropriate multiplying factor (CdMF or LmMF) shown for that lamp in the table below.

Lamp Code	Watts	Volts	Initial Lumens	Color Temp. K	Avg. Rated Life	Spot Cd MF	Spot Lm MF	Flood Cd MF	Flood Lm MF
HPL 750/230**	750	230	19,750	3,200	300	.82	.96	.86	.84
HPL 750/230X	750	230	15,600	3,050	1,500	.51	.76	.53	.66
HPL 575/230**	575	230	14,900	3,200	400	.69	.67	.63	.59
HPL 575/230X	575	230	11,780	3,050	1,500	.49	.58	.52	.50
HPL 375/230X	375	230	7,800	3,050	1,000	.38	.35	.35	.31
HPL 750/240	750	240	19,750	3,200	300	.82	.96	.86	.84
HPL 750/240X	750	240	15,600	3,050	1,500	.51	.76	.53	.66
HPL 575/240	575	240	14,900	3,200	400	.66	.67	.60	.59
HPL 575/240X	575	240	11,780	3,050	1,500	.46	.58	.48	.50
HPL 375/240X	375	240	7,800	3,050	1,000	.38	.35	.35	.31

Source Four Fresnels rated for 750W maximum.

\*\*Photometric data was prepared using a production fixture and the Prometric CCD measurement system. Fixture adjusted for cosine distribution and tested with calibrated lamp at rated voltage. All data normalized to nominal lamp lumens in accordance with IES LM-73-04. Testing performed at ETC West, Hollywood, CA. All other multiplying factors extrapolated from primary test data.

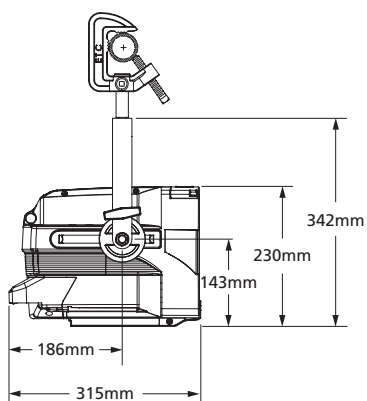
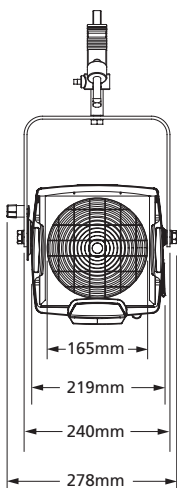
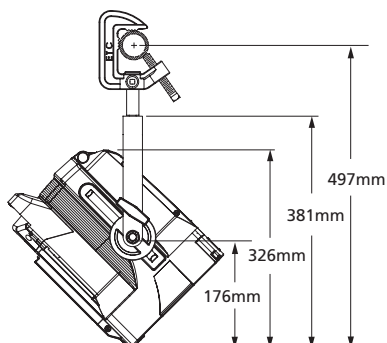
For links to photometry file downloads (IES LM-63-02 format) go to [www.etcconnect.com](http://www.etcconnect.com).

HPL Specified Tolerances: Watts +/- 5%, Lumens +/-7%, Average life +/-10%, Color Temperature +/- 50K

"N/A" lamps are not available for purchase from ETC. Contact your dealer for purchase.

**Fresnel Series**

PHYSICAL



**Source Four Fresnel Weights\***

MODEL	WEIGHT	SHIPPING WEIGHT
	Kg	Kg
Source Four Fresnel	6.1	8.0

ORDERING INFORMATION

Continued from front page...

**Source Four Fresnel Accessories**

PART NO.	DESCRIPTION
7061A3007	Colour Frame 190mm, Black (Spare)
7061A3007-1	Colour Frame 190mm, White (Spare)
PSF1101	S4 Fresnel Barndoor, EU, Black
PSF1095	S4 PAR Barndoor, EU, Short, Black*
PSF1101-1	S4 Fresnel Barndoor, EU, White (leaves black inside)
PSF1101-5	S4 Fresnel Barndoor, EU, Silver Grey (leaves black inside)
PSF1022	Top Hat, 76mm tube, Black
PSF1022-1	Top Hat, 76mm tube, White
PSF1023	Top Hat, 153mm tube, Black
PSF1023-1	Top Hat, 153mm tube, White
PSF1027	Half Hat, 153mm tube, Black
PSF1027-1	Half Hat, 153mm tube, White
PSF1031	Cross Baffle Top Hat, Black
PSF1031-1	Cross Baffle Top Hat, White
PSF1028	Honey Comb Louvre, Black*
PSF1028-1	Honey Comb Louvre, White*

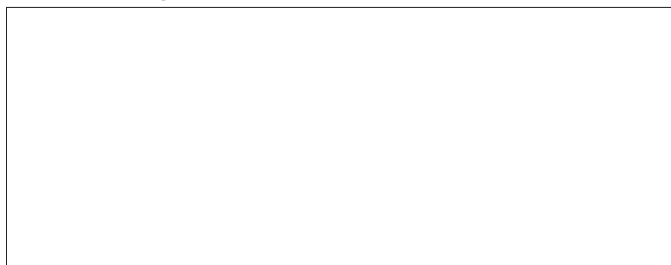
\*To prevent spill light, insert 7061A3007 Colour Frame in rear slot

Source Four products are protected by one or more of the following patents:

U.S.	USRE36,3316, US5,345,371, US6,092,914 and US5,775,799
U.K.	GB0592589, GB0673488, 99930527.9*
Germany	DE0592589, GB0673488, 99930527.9*
Japan	JP2,501,772

\* European patent application number

**AVAILABLE FROM**



**Corporate Headquarters** • 3031 Pleasant View Rd, PO Box 620979, Middleton WI 53562 0979 USA • Tel +1 608 831 4116 • Fax +1 608 836 1736

**London, UK** • Unit 26-28, Victoria Industrial Estate, Victoria Road, London W3 6UU, UK • Tel +44 (0)20 8896 1000 • Fax +44 (0)20 8896 2000

**Rome, IT** • Via Pieve Torina, 48, 00156 Rome, Italy • Tel +39 (06) 32 111 683 • Fax +44 (0)20 8752 8486

**Holzkirchen, DE** • Ohmstrasse 3, 83607 Holzkirchen, Germany • Tel +49 (80 24) 47 00-0 • Fax +49 (80 24) 47 00-3 00

**Hong Kong** • Room 1801, 18/F, Tower 1 Phase 1, Enterprise Square, 9 Sheung Yuet Road, Kowloon Bay, Kowloon, Hong Kong • Tel +852 2799 1220 • Fax +852 2799 9325

**Web** • www.etcconnect.com • Copyright©2011 ETC. All Rights Reserved. All product information and specifications subject to change. 7064L1001-GB Rev. C 11/11