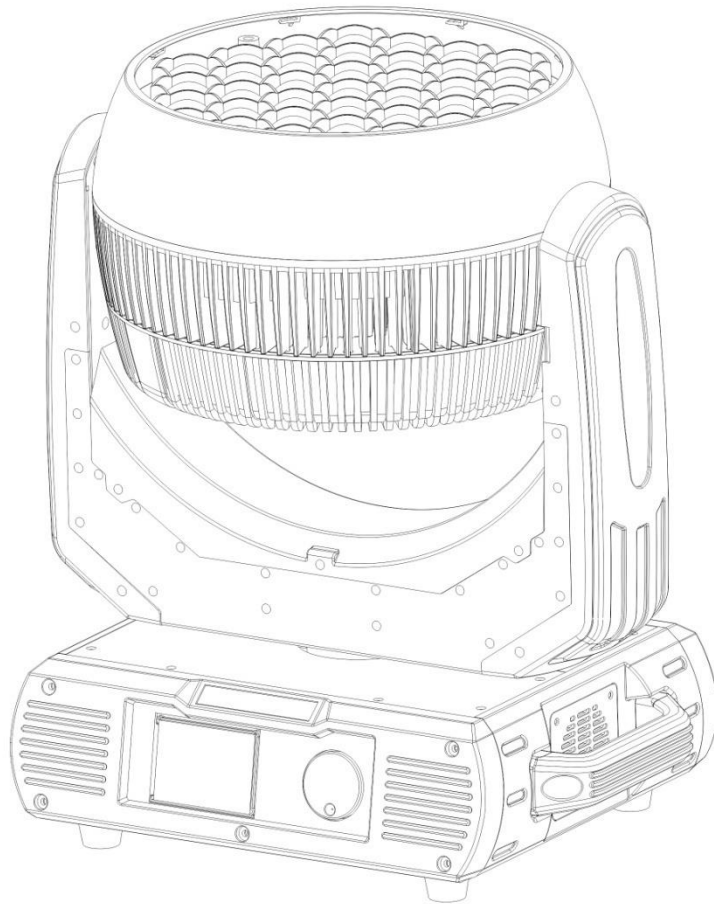




## LED WASH MOVING HEAD



Model : B560

Weight : 17.0KG

Power : 800W

Color : RGBW

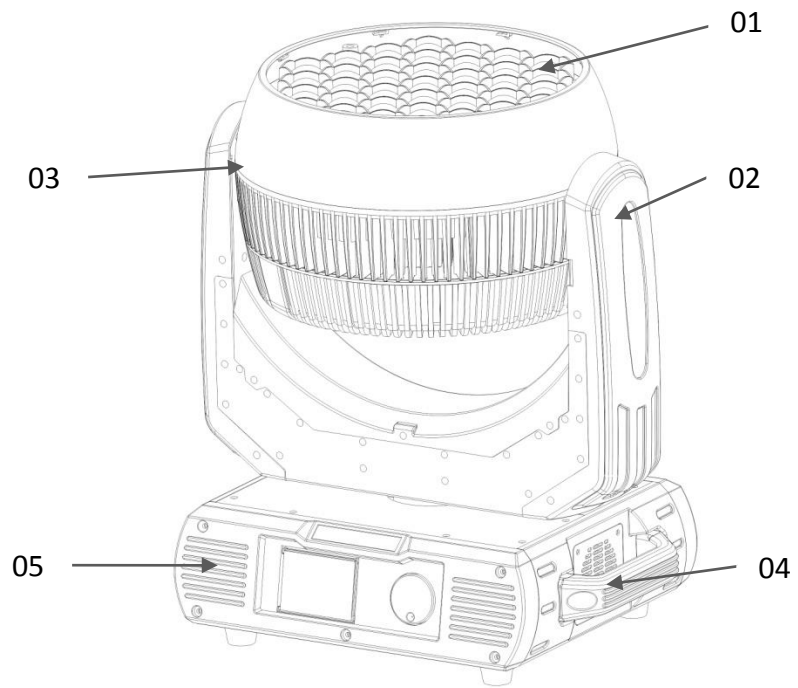
# ITEM

1. Menu .....	02
2. Application notice .....	02
3. Parts introduction .....	03
3. Fixture size.....	03
4. Product information .....	04
6. Control panel operate.....	05
7. DMX Channels.....	09

## 2 Application notice

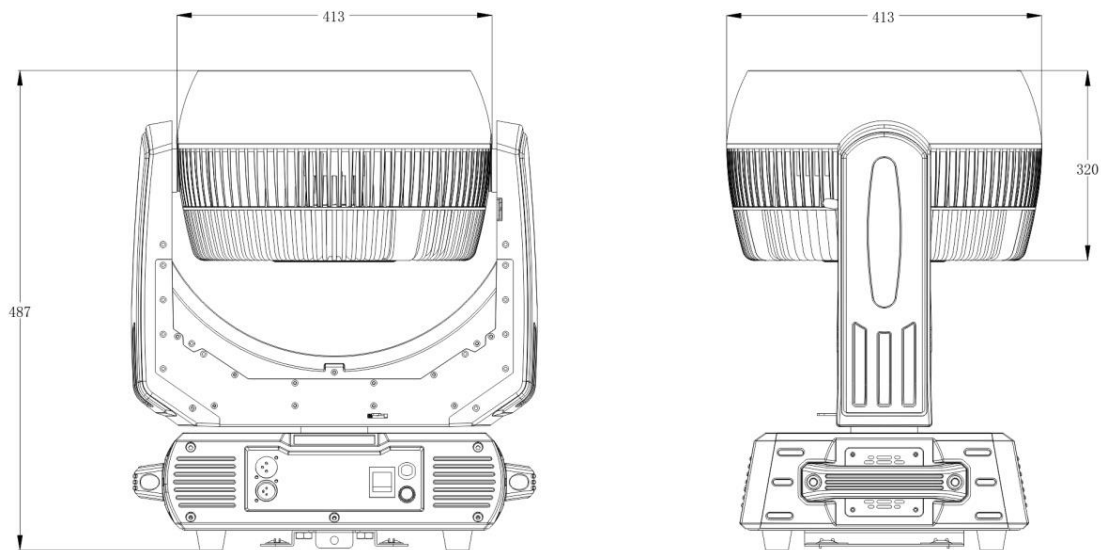
- 1: please check if device get loose during transportation .and ke ep regular maintenance
- 2: keep voltage steady-going , or the lamp can be damaged easily
- 3: please check the voltage if it get abnormal , do not switching on / off frequently
- 4: keep dry and ventilated for a long service life .
- 5: make sure switch off during installation and disassembly  
Do not take out without authorization when fixture get abnormal  
Should ask a professionals for inspection .
- 6: Install the stand , adjust the angel , connect the power supply and grand wire .  
the computer will self - check about 30 seconds automatically after power up
- 7: do not look straight at light avoid any damage to eyes .
- 8: please use over 2.0 square wire .
- 9: no combustibile or explosive materials around 0.5 m of light , do not touch the light by hands ,
- 10: Make sure Disconnection of power supply when installation and maintenance .

### 3 Parts introduction



- 01 — Lens
- 02 — Hands
- 03 — Body
- 04 — Hands
- 05 — Bottom

## 4 size



## 5 product information

1 : specification

Mix color equal , smooth color change , 37 pcs lamp can work as 4 group .

Use high transmittance France GAGGIONE LENSE

CH : 14/25/30CH;

Source : 15W RGBW 4 1 LED;

Voltage : 110-240V,50/60Hz;

Power : 800W;

Display : Touch screen ;

Lens : France Gaggione lens , with zoom , Lens degree : 8 degree

Zoom : 7.9-38°

Dim : 0—100% linear Dim ;

Pan : 540° ,8/16Bit;

Tilt : 270° , 8/16Bit;

IP: IP20;

Size : 413x320x486mm;

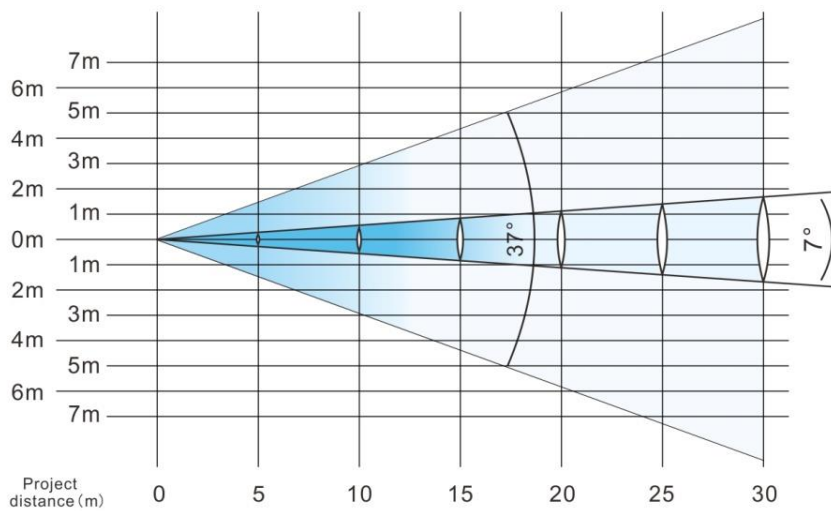
Carton : 535x440x585mm;

Weight: 17KG;

Gross weight : 20KG.

## 2: luminous diagram

Luminous diagram/光效图



Lumen/照度表

DISTANCE	10m		20m		30m	
ILLUMINATION	8828	625	2207	156	981	69
SPOT SIZE	Φ1.31m	Φ6.51m zoom	Φ2.63m	Φ13.02m zoom	Φ3.94m	Φ19.53m zoom

## 6.CONTROL PANELMENU OPERATE

### LM560 LCD DISPLAY CONTENTS

Main Menu	Submenu 1	Submenu 2	Function SET	Function description
DmxAddr	<<			address minimum value 1
	<			address + 1
	>			address -1
	>>		001-512	address maximum value 512
			SAVE	save date and back to main interface
		ESC	back to main interface	
FEATURES SETTING	Run Mode		DMX	DMX
			Wire	Inactive
			Aoto	Inactive
	Channel Mode		14CH	14CH
			25CH	25CH
			30CH	30CH
Pan Reverse		Off	Pan Scan Normal	

			On	Pan Scan Reverse
	Tilt		Off	Tilt Scan Normal
	Recerse		On	Tilt Scan Reverse
			Off	Pan/Tilt optical sensor testing off
	Opto Check		On	Pan/Tilt optical sensor testing on
			Noml	Pan/Tilt Scan Speed setting normal
			Slow	Pan/Tilt Scan Speed setting slow
	PT Speed		Fast	Pan/Tilt Scan Speed setting fast
			Off	keep signal data
	Singl Clear		On	clear signal data
			ADV	enter advanced function
			RST	reset and back to main interface
			SAVE	save date and back to main interface
			ESC	back to main interface
		ZEROSSETTING		
		Pan		
		Tilt		
		Focus	0-255	Motor zero calibration
			SAVE	save date and back to last interface
			>	the current value + 1
			<	the current value - 1
	Redress		ESC	back to last interface
	ChanlDef			inactive
	FactSett			inactive
			LimitTime	inactive
		Limit	limitCont	inactive
			YES	restore default and exit from the current interface
		DefConfig	NO	exit from the current interface
			SAVE	save factory configuration ,exit from current interface
		FacConfig	EPRT	export factory configuration exit from current interface
ADVANCED FUNCTION	UseManage		ESC	exit from current interface

			ESC	back to last interface	
UNLOCK	Venify1:				
	Venify2:		0-255	unlocking code	
			KEY	password to enter the next interface, Otherwise the exit from the current interface	
			ESC	exit from current interface	
LAMP REST			ALL MOTER	all motors	
			XY MOTER	function inactive	
			PART MOTER	function inactive	
			YES	Reset the selected motor	
			ESC	back to last interface	
	AUTO			auto	
	SOUND			sound control	
	TEST RUN			ESC	back to main interface
	SMULATE DMX	Beam Strobe:			
		Beam Dimmer:			
Focus:					
Pan:					
Pan Fine:					
Tilt:					
Tilt Fine:					
Function:					
Beam Macro:					
Beam Red:					
Beam Green:					
Beam Blue:					
Beam White:					
Colour Grad:					
Gobo:					
Shape Selection:					
Shape Speed:					
Shape Fade:					
Shape R:					
Shape G:					
Shape B:					
Shape W:					
Shape Dim:					
MANUAL	DMX	Background Dim:	0-255	manual control	

		Reserved:			
			>	current value + 1	
			<	current value - 1	
			ESC	back to last interface	
	ESC			back to main interface	
SYSTEM INFO	DMX VALUE	CH00-CH25	0-255	DMX value number	
	REST INFO	Pan:			
		Tilt:			
		Focus:			
		Pan Opto:			
		Tilt Opto:	Right/Erro	Motor reset state	
			ESC	back to last interface	
	OTHER INFO	Run Time:		0-9999	fixture running how many hours
		Run Count:		0-9999	fixture running times
		Residue T:		Most	running hours unlimited
		Residue C:		Most	running time unlimited
		Type:		LM560	light model
		Temp:		xxx	led temperature
		Fan 1:		0-9999	Fan 1 rotate speed
		Fan 2:		0-9999	Fan 2 rotate speed
		Lampbrand:		CN/OSM	LED brand
		DisVersion:		Vxxx	Panel software version number
		XY Version:		Vxxx	XY Driver software version number
		M1 Version:		Vxxx	M1 software version number
				ESC	back to last interface
		ESC			back to main interface
	DISPLAY SETTING	Light Set:		1-7Lev	Backlight brightness Settings
		Light Off:		On	backlight keeps on
				1Min	backlight off in 1 minutes
				2Min	backlight off in 2 minutes
				3Min	backlight off in 3 minutes
			Off	close menu to return automatically	
Menu Back:			1Min	The menu returns after 1 minute	
			2Min	The menu returns after 2 minute	



			3Min	The menu returns after 3 minute	
	Light Flash:		Off	Closing backlight flashing	
			On	open backlight flashing	
	Touch Cali:		Off	Close touch calibration	
			On	open touch calibration	
			SAVE	save the date and back to main interface	
			ESC	back to main interface	
	DIMMER SETTING	Dimmer Mode:		Fast	fast
				Noml	smooth
Balance SW:			Off	The white balance off	
			On	The white balance on	
Balance Red:			0-255	The white balance red	
BalanceGreen:				The white balance green	
Balance Blue:				The white balance blue	
Balance White:				The white balance white	

LM560 CHANNEL LIST					
14CH	25CH	30CH	Function	DMX value	Description
1	1	1	Strobe	0 -19	Strobe OFF
				20 -24	Strobe ON
				25 -64	Strobe Fast-Slow
				65 -69	Strobe ON
				70 -84	Slow input Strobe Fast-Slow
				85 -89	Strobe ON
				90 -104	Slow output Strobe Fast-Slow
				105-109	Strobe ON
				110-124	Random Strobe Fast-Slow
				125-129	Strobe ON
				130-144	Random Slow input Strobe Fast-Slow
				145-149	Strobe ON
				150-164	Random Slow output Strobe Fast-Slow
				165-169	Strobe ON
				170-184	Pulse Strobe Fast-Slow
				185-189	Strobe ON
				190-204	Random Pulse Strobe Fast-Slow
205-209	Strobe ON				

				210-224	Strobe Fast-Slow
				225-229	Strobe ON
				230-244	Exposure Strobe Fast-Slow
				245-255	Strobe ON
2	2	2	Dimmer	0 -255	Linear Dimmer Dark-Bright
3	3	3	Focus	0 -255	Linear Focus
4	4	4	Pan Rotation	0 -255	0~540 degree
5	5	5	Pan Fine	0 -255	Pan Fine
6	6	6	Tilt Rotation	0 -255	0~270 degree
7	7	7	Tilt Fine	0 -255	Tilt Fine
8	8	8	Function set	0 -9	No function
				10 -14	Whole light Reset
				15 -39	No function
				40 -44	XY Normal mode
				45 -49	XY Fast mode
				50 -54	XY Slow mode
				55-255	No function
9	9	9	Color temperture and Color	0 -9	No function
				10 -14	Red
				15 -19	Green
				20 -24	Blue
				25 -29	White
				30 -34	2300
				35 -39	2500
				40 -44	2700
				45 -49	3000
				50 -54	3200
				55 -59	3300
				60 -64	3700
				65 -69	4300
				70 -74	4500
				75 -79	4600
				80 -84	5000
				85 -89	5500
				90 -94	5600
				95 -99	6500
				100-104	Light yellow
				105-109	Apple Green
110-114	Pink				
115-119	Orange				
120-124	Deep Orange				
125-129	UV				
130-134	No function				

				135-174	Color clockwise run from fast to slow
				175-179	Stop
				180-219	Color anticlockwise run from slow to fast
				220-224	No function
				225-255	Random color Fast-Slow
10	10	10	Red beam	0-255	Red Dimmer Dark-Bright
11	11	11	Green beam	0-255	Green Dimmer Dark-Bright
12	12	12	Blue beam	0-255	blue dark - bright
13	13	13	White beam	0-255	white dark- bright
14	14	14	Color slow change	0 -7	No function
				8 -39	Red to Yellow
				40 -71	Yellow to Green
				72 -103	Green to Cyan
				136-167	Blue to Magenta
				168-199	Magenta to Red
				200-231	Red to White
				232-255	Color change slow - fast
*	15	*	LED gobo	0 -4	NO gobo
				5 -9	Gobo1
				10 -14	Gobo2
				15 -19	Gobo3
				...	...
				190 -194	Gobo38
				195 -199	Gobo39
				200 -204	Gobo40
				205 -224	Gobo change slow down
				225 -234	stop
				235 -255	Gobo change speed up
*	16	*	Built-in effects	0 -4	No function
				5 -34	Built-in effects1
				35 -64	Built-in effects2
				65 -94	Built-in effects3
				95 -124	Built-in effects4
				125-154	Built-in effects5
				155-184	Built-in effects6
				185-255	after 1 mins auto change
*	17	*	Effect speed	0 -255	LED built-in effect speed Slow-Fast
*	18	*	Effect slow input	0 -255	LED built-in effects Gradient Overlay
*	19	*	Effect red	0 -255	Red Dimmer Dark-Bright
*	20	*	Effect green	0 -255	Green Dimmer Dark-Bright
*	21	*	Effect blue	0 -255	Blue Dimmer Dark-Bright
*	22	*	Effect white	0 -255	White Dimmer Dark-Bright

*	23	*	Effect Dimmer	0 -255	Dimmer Dark-Bright
*	24	*	Effect backlight	0 -255	Dimmer Dark-Bright
*	25	*	Reserve	0 -255	
*	*	15	R1Dimmer	0 -255	R1Dimmer Dark-Bright
*	*	16	G1Dimmer	0 -255	G1Dimmer Dark-Bright
*	*	17	B1Dimmer	0 -255	B1Dimmer Dark-Bright
*	*	18	W1Dimmer	0 -255	W1Dimmer Dark-Bright
*	*	...	...	...	
*	*	27	R4Dimmer	0 -255	R4Dimmer Dark-Bright
*	*	28	G4Dimmer	0 -255	G4Dimmer Dark-Bright
*	*	29	B4Dimmer	0 -255	B4Dimmer Dark-Bright
*	*	30	W4Dimmer	0 -255	W4Dimmer Dark-Bright

