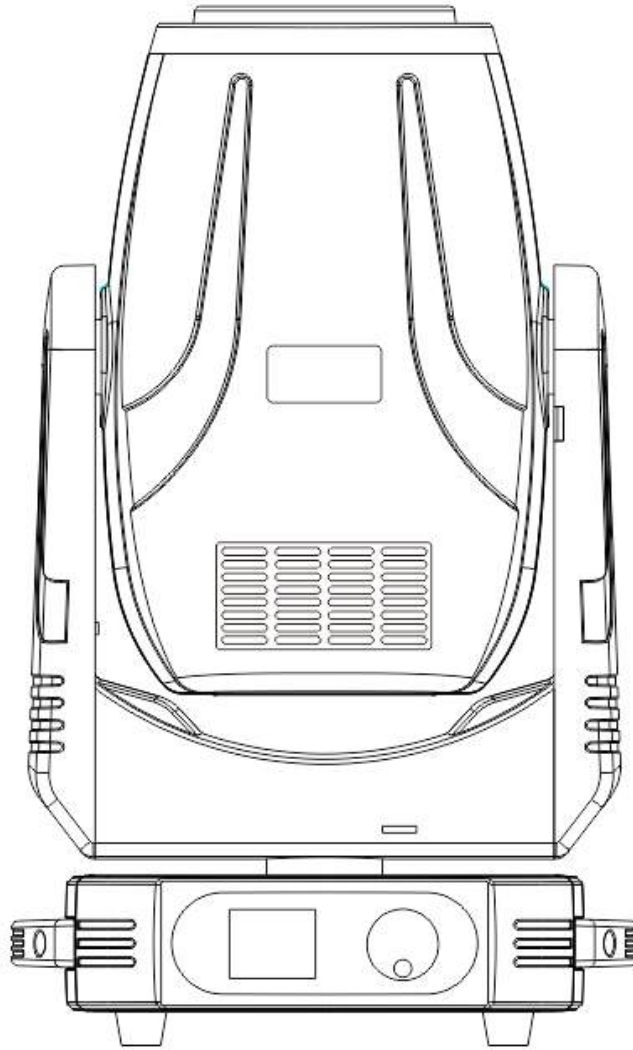


# LED Hybrid Moving Head Light

**B350LED-3IN1-CMY**



Net Weight: 19.5KG

Color Temperature: 8000-9000K

# ITEM

<b>Item.</b> .....	02
<b>1. Product introduction.</b> .....	03
2. Fixture size.....	03
3. Parts introduce .....	04
4. COLOR AND GOBO DESCRIPTION.....	05
5. Safety information.....	06
6. Package .....	08
7. Installation standard .....	09
8. AC power .....	10
9. LED lamp model and replace .....	10
10. Control Panel.....	11
17. Control panel menu operate .....	11
12. DMX Channels .....	14
13. Routine maintenance.....	18
14. Simple troubleshooting.....	18

## STATEMENT

The product is good packing when ship out the factory. All users should strictly abide by the warnings and instructions stated in this manual, any damage and results due to misuse and the

neglect of this operating manual will be excluded from the deal responsibility this manual will not informed in additionally if have technical changes.

## 1、PRODUCT INTRODUCTION

Thank you for choose this HOT BEAM280 products, this model is the moving head light which is the latest development of the smart, efficient products, beautiful shape, smooth R & D, combined with the advanced technology of today's stage lighting products with international advanced electronic control technology and excellent user-friendly industrial design, fully comply with CE standard, accepted international standard DMX512 signal mode.

Production enforces standard IEC 60598-1:2014, IEC60598-2-17:2017.

Channel Mode: 21CH / 25CH.

Light Source: 350W LED.

Lifetime: 20000 Hours.

Input voltage range: AC110-240V~, 50/60Hz.

Total Power: 416W.

Beam angle: 4.8° - 40° .

Fixed gobo: 10 gobo + white.

Rotation gobo: 9 gobo+ white.

Gobo size diameter: 15.9mm , image diameter: 13mm.

Color Wheels: 8 colors + white + CMY + CTO.

Prism System: 8 facet prism+ 3facet prism, fixed frost function.

Display: 2.8-inch screen display, can reverse 180° .

Dimmer: 0—100% linear adjustment, supports electronic strobe and adjustable strobe effect, supports strobe macro function, lens group optical system, electric focusing, linear zoom.

The photoelectric reset system is used. After the error occurs, the reset can be automatically retrieved.

Positioning technology: The magnetolectric positioning system uses magnetic devices instead of the traditional Hall positioning system, with higher accuracy and reliability.

Pan: 540° ; 8 Bit/16 Bit; Til: 270° ; 8 Bit/16 Bit; IP Rate: IP20.

Carton size: 695x360x440mm.

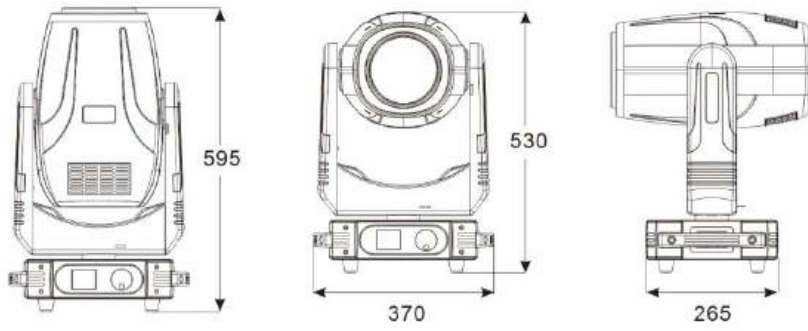
N.W.: 19.5 kg.

G.W.: 22 kg (carton box).

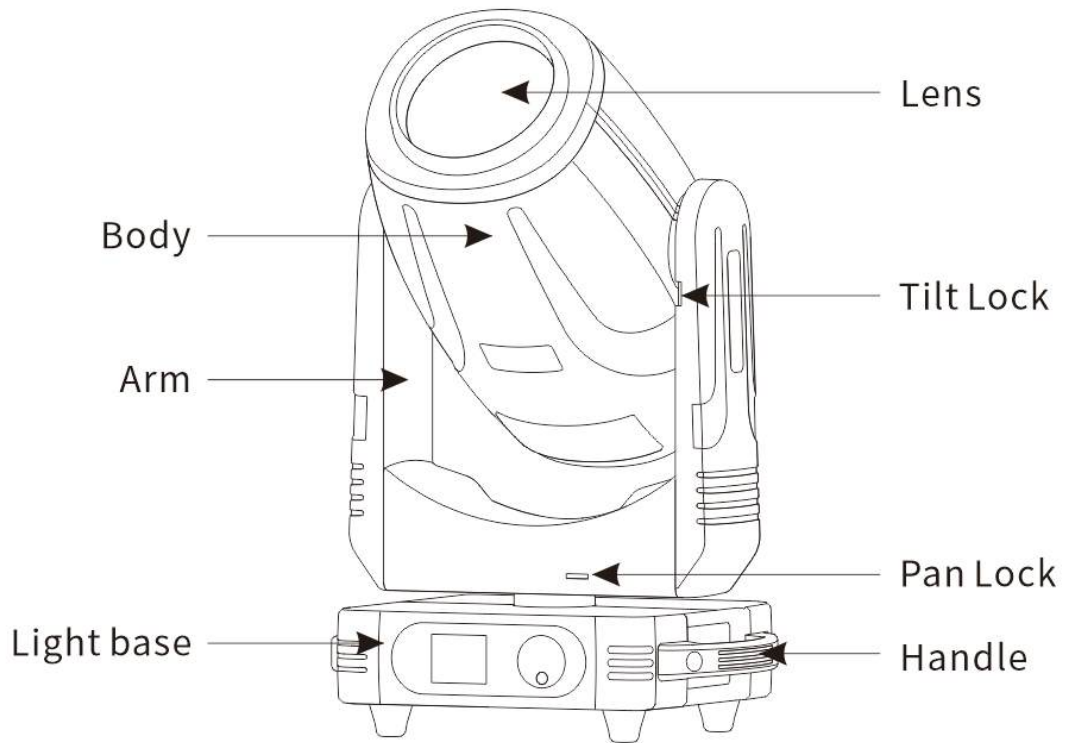
Fly case G.W.: 73 kg.

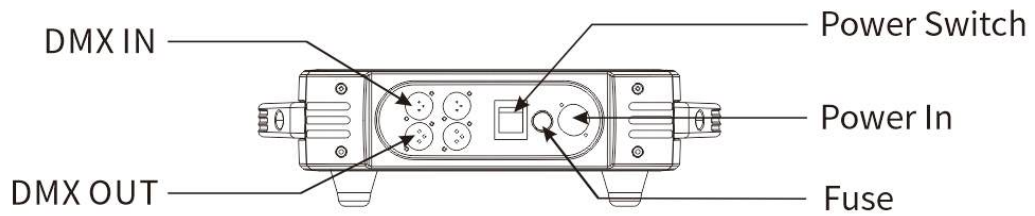
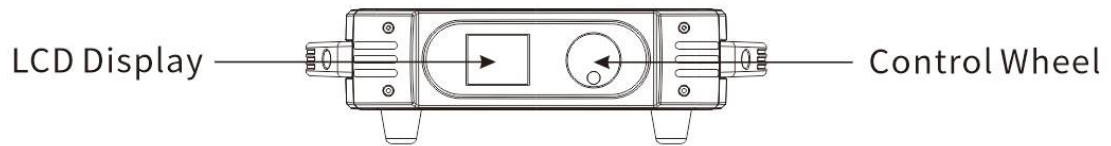
Fly case size: 850x470x820 mm.

**2、FIXTURE SIZE : 370mm (L) ×265mm (W) ×595mm (H)**



### 3、PARTS INTRODUCE

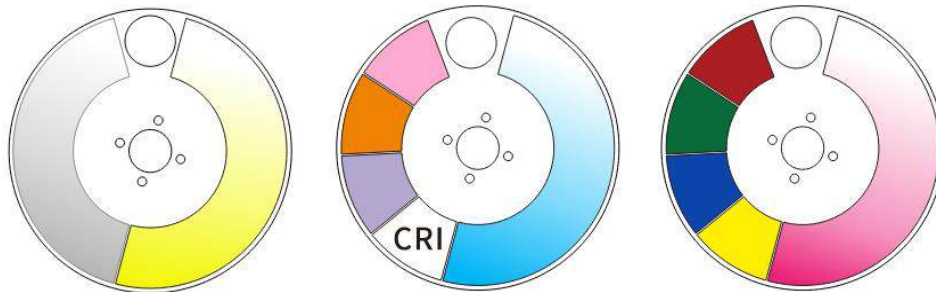




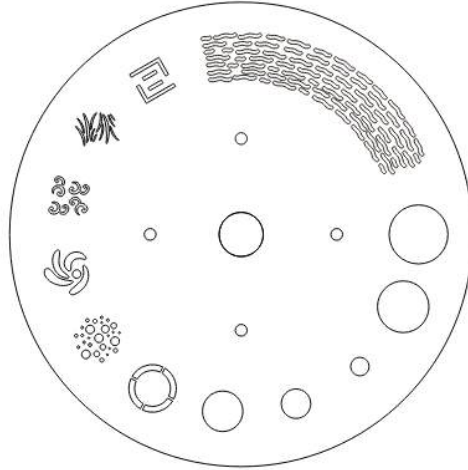
Exp372 each part of product structure and main composition product name description for better know the light unit.

## 4.COLOR AND GOBO DESCRIPTION

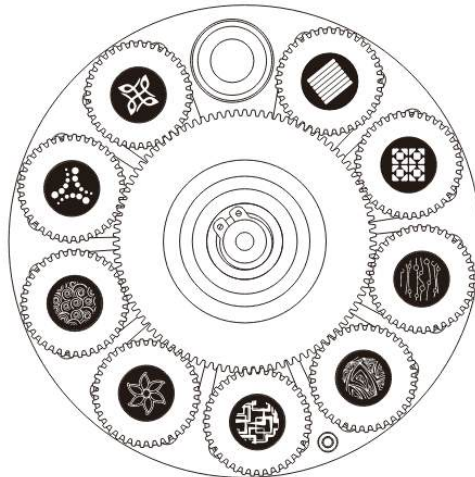
### 4.1 Color Wheels: 8 colors + white + CMY + CTO



### 4.2 Static GOBO wheel with 10 gobos + white.



#### 4.3 Rotate GOBO wheel with 9 GOBOS + white.



## 5、 SAFETY INFORMATION



### 5.1.1 SAFETY WARNING MESSAGE

1、 This product is only suitable for professional use, and does not apply to security for other purposes. After you got the lights, please check the package whether have any damage caused by transportation. If there is any damage, do not use this fixture, and please contact the dealer or manufacturer as soon as possible.

2、 This product is only suitable for indoor, IP20 protection class. Lamps should be kept dry to avoid Moisture, overheating or dusty environment. Prevent lamps come into contact with water or any other liquid. The use of this product should pay attention to: fire, heat, electric shock, ultraviolet radiation, the lamp to explode or Shedding caused serious or fatal injury.

## 5.1.2 NEED TO READ THE INSTRUCTIONS BEFORE USE ENERGIZED OR



1、Follow through the operation of security methods and pay attention to the warning signs on the specification and equipment.

2、 If you have any problem with how to safely operate the equipment. Please contact your dealer.

## 5.1.3 OPERATION IS PROHIBITED



In automatic mode, do not manually force equipment or equipment.

## 5.1.4 POINTING IS PROHIBITED



Never point the lights directly to the sun or other strong light source.

## 5.2 TO PREVENT FALLING WOUNDING



1、 Please don't move the package by one person only.

2、 When hanging the fixture, please verify that the facilities able to withstand the weight of the lamps at least 10 times more.

3、 Please make sure the Mounting hardware is strong enough no damage, and insurance for the safety rope as auxiliary security fixed in other facilities will need to verify before installation. Installing or removing the equipment, to make the pulley below the work location.

## 5.3 UA PROTECTION AND THE BULB EXPLOSION



1、 Prohibit straight viewpoint with exposed bulbs to avoid UV damage to the eyes;

2、 Do not use the equipment without the lens screen and the lid;

The lens and the light head covers should be timely replaced if any damage to rupture.

3、 The Fixture should be used with the protection screen together.

## 5.4.1 ANTI -HIGH TEMPERATURE (Rated maximum ambient temperature)

$t_a = 40^{\circ}\text{C}$

Please don't use the equipment if the temperature above  $40^{\circ}\text{C}$ .

## 5.4.2 ANTI-HIGH TEMPERATURE (Rated maximum ambient temperature)



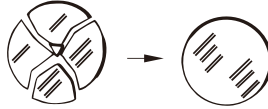
**$t_c = 90^\circ\text{C}$**

The maximum temperature that can be reached on the external surface of the fitting, in a thermally steady state, is  $90^\circ\text{C}$ .



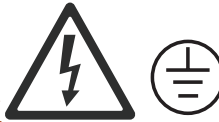
### 5.5 IP PROTECTION

The products are certified at IP 20 levels only. Adequate additional protection should be taken for outdoor use. All lamps, lights and their fittings should be kept dry. Overheating dust and excessive humidity must be avoided.



### 5.6 BURST PREVENTION

The product are certified at IP 20 levels only. Adequate additional protection should be taken for outdoor use. All lamps, lights and their fittings should be kept dry. Overheating dust and excessive humidity must be avoided.



### 5.6 PREVENTION OF ELECTIC SHOCK

- 1、 The electrical connection must only be carried out with corresponding qualifications.
- 2、 Before installing, make sure you use the power voltage lamps must comply with the identified power, voltage and have an overload or leakage protection.
- 3、 Each lamp must be properly grounded, installed in accordance with the relevant standards.
- 4、 Cut off the power when stall or replace the lamp and the fuse.
- 5、 Prohibit the use of a lightning storm or wet environment.



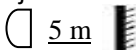
### 5.7 MAINTENANCE

Before starting any maintenance, work or cleaning the projector, cut off power from the mains supply. After switching it off, do not remove any parts of the fitting, to avoid getting burnt for at least 30 minutes. After this time the likelihood of the lamp exploding is virtually nil.

The fitting is designed to hold in any splinters produced by a lamp exploding. The lenses must be mounted and, if visibly Damaged, they have to be replaced with genuine spares.



### 5.8 TO PREVENT BURNING OR FIRE

1. The fixture can be mounted directly on the surface of ordinary combustible material.
2. Do not short-circuit temperature protection switch or fuse, use the specified type of fuse.
3. The equipment must be installed away from inflammable and explosive materials.
4. The equipment should be projected range of 5 meters away objects and projectiles temperature less than  $60^\circ\text{C}$  
5. Fan or ventilation, at least in the range of 0.5 meters cannot be an obstacle.
6. Do not place any object on the lens.



7. Handling at least allows the device to cool for 20 minutes.
8. Do not replace the non-original parts.  
Packed with fly-case of 2in 1 OR 1 in 1 and carton box.

## 6、 PACKAGE

### 6.1 ATTACH FOLLOW ACCESSORY

#### ACCESSORY

CONTENT	QUANTITY
USER MANUL	1
HANGER	2

### 6.2 TRANSPORT PROTECT LOCK

In order to protect the light, there is a protect lock; During the transport , the lock catch position needs lock in the center, and the fixture keep in vertical state.



### 6.3 ABOUT PACKING

1. Before packing, make sure the power is off, and wait for at least 20mins for cooling down.
2. Before clean the fixture, make sure X and Y axis protect lock closed.
3. After packing by plastic bag, high lift the fixture with two handles besides the product. put the product into the fly-case upside-down.
4. After packed the product, put the accessory into the accessory case, then closed and lock the fly-case.
5. Fly-case only up stacked two layers. Prohibited upside down.
6. When packed with a carton box, equipment should be put into the foam first, then set into a carton, pay attention to the vertical position.

### 6.4 UNPACKING

Note: Before unpacking check if damage is whether due to the transportation or not, if you find any such damage, please do not use this item, and contact with the dealer or manufacturer as soon as possible.

1. Open the fly-case and discover the inside plastic bag.
2. High-lift the product by two handles beside the bottom base and move it out.
3. Before power on, make sure you have opened the X, Y axis lock!

## 7、 INSTALLATION STANDARD

## 7.1 INSTALLATION OF THE RIGGING

The product can be placed on the stage or mounted on any supporting frame. The quick locking system can quickly and easily press 2 directions to lock on the bracket.

## 7.2 EQUIPMENT FIXATION

1. Before installation, it is necessary to verify that the gear clamp is not damaged and can bear at least 10 times the weight of the equipment. The verification building can bear the weight of at least 10 times the total weight of the equipment and fixture cable attached equipment.
2. The fixture is mounted on the base of the lamp body, inserts the fastener into the mounting hole of the base, and holds the handle of the fastener to lock the 1/4 ring clockwise, and the other fasteners are installed in the same way.
3. Install a safety rope that can withstand 10 times the weight of the equipment.
4. Check whether the vertical lock has been opened. There is no combustible or attached in the verification equipment within 3 meters. Near other flammable objects.

### ATTENTION!



Must use two clamps fix the fixture, and tighten the clamps with 1/4 lock, only fully clockwise rotate 90 ° then can lock the fasteners. Add one safety insurance rope on the hole of light base. pls attention does not connect to the transport handle.

## 7.3 DEVICE CONNECTION

### Attention!



1. One product only can accept one input one output.
2. The input is a DMX. The output is by means of a 3-core socket as follows.  
Pin 1: COM.  
Pin 2: -T signal.  
Pin 3: +T signal.
3. DMX512 cable must use the professional shielded twisted pair cable; standard loudspeaker cable is not reliable to control the long-range data. 24AWG cable is suitable for more than 300 meters long-distance signal transmission and must add DMX 512 signal amplifier.
4. Do not use two outputs to separate the connection, if separate a continuous connection to branch, DMX512 splitter is necessary. If use the DMX512 splitter. At first connect DMX512 Splitter input terminal to controller then connect from the splitter output terminal to next device. Do as above guide to connect other device, and finally coupled with terminal insertion.

## 8、 AC POWER

### 8.1 VOLTAGE, POWER, FUSE SPECIFICATION

<b>Input Voltage</b>	<b>Frequency</b>	<b>Total Power</b>
AC110~240V~	50/60Hz	416W

<b>Fuse voltage</b>	<b>Electronic current</b>	<b>Specification</b>
250V	6A	5×20

## 8.2 POWER PROTECT

The equipment must be operated by professionals; Make sure that the voltage of power supply must be comply with the voltage identified on the lamp, and must have an overload or leakage electrical protection.



### ATTENTION !

Factory has equipped the standard 3 pin plug socket. Connect the power supply as below table.

If the lamp cable is damaged, replacement should be operated by factory or qualified staff.

Any questions, please contact professionals or talk to a qualified electrician.

<b>Live wire (L)</b>	<b>Null (N)</b>	<b>Ground wire</b>	
<b>BROWN</b>	<b>BLUE</b>	<b>Yellow +Green</b>	

## 9、 LED LAMP MODEL AND REPLACE

### 9.1 LED LAMP DESCRIPTION

LED LAMP MODEL	POWER OF LAMP	LIFE/HOUR	COLOR TEMPERATURE
<b>350W LED</b>	<b>350 W</b>	<b>20000 HOURS</b>	<b>8000 - 9000K</b>

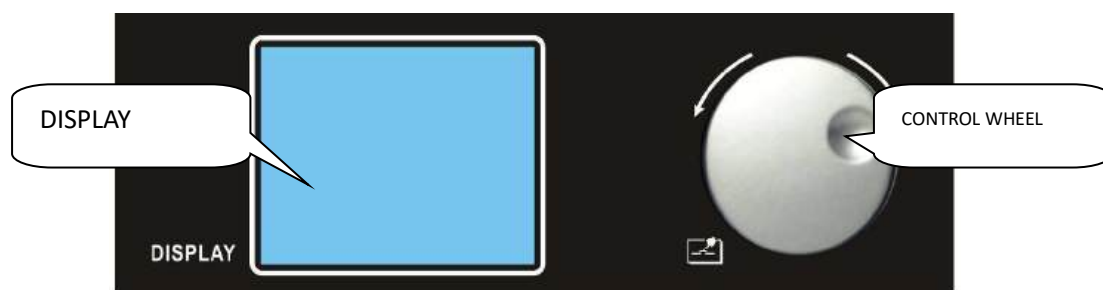
### 9.2 LED LAMP REPLACE



#### WARNING!

The light source of this luminaire is a non-user replacement light source. If it is broken, please replace it by the manufacturer or its agent service provider or a qualified person.

## 10、 CONTROL PANEL



Display: to display all information of fixture.

Control wheel: can turn right, left and enter.

## 11、 CONTROL PANEL MENU OPERATE

BEAMSPOT LCD DISPLAY CONTENTS					
Main Menu	Submenu 1	Submenu2	Function SET	Function description	
Address			1-512	Address number set	
Display	"DispFlip"		"Off"	Normal	
			"On"	reverse 180°	
	"DispDim"		5%-100%	Brightness set	
	"Bcklight"			"1Min "	Backlight close after delay 1Min
				"2Min "	Backlight close after delay 2Min
				"3Min "	Backlight close after delay 3Min
				"ON"	Backlight light always
	"MenuBack"			"1Min "	Menu back to main menu after delay 1Min
				"2Min "	Menu back to main menu after delay 2Min
				"3Min "	Menu back to main menu after delay 3Min
				"Off "	Menu back not automatic
	"DmxFlash"			"On "	Background flash, open
				"Off "	Background flash, close
"Return "			▲	return	
Feature	"PToption"	"Pan Rev"	"Off "	PAN SCAN Normal	
			"On"	Pan Scan Reverse	
		"Tilt Rev"	"Off "	Tilt Scan normal	
			"On"	Tilt Scan Reverse	
		"PT Fback"	"Off "	PAN/TILT optical sensor testing off	
	"On"		PAN/TILT optical sensor testing on		
	"Return "			▲	Return
	"ECO MODE"			"Off "	Off
				"On"	On
	"ChanMode"			"21CH"	21Channel mode
				"25CH"	25Channel mode
				"30CH"	30Channel mode (NOT ACTIVE)
	"Run Mode"			"Slve"	Accept other signal control

		"Auto"	Run automatically internal program
		"Soud"	Sound active
	"SigClr"	"Keep"	keep signal data
		"Clr"	clear signal data
	"DimmMode"	"Smoo "	Smooth
		"Fast"	Fast
	"Return "	▲	Return
Info	"LightTyp"	LED	Light Type
	"Temp"	xxx °C	Ligh Temp
	"Fan1spd"	0000-9999	Fan1Rot
	"Fan2spd"	0000-9999	Fan2Rot
	"OnTime"	0000-9999	On Time
	"Run Time"	0000-9999	working hours memo for connect power
	"DisVersi "	Vx.x	Version
	"XY Versi "	Vx.x	Version
	"M1 Versi "	Vx.x	Version
	"M2 Versi "	Vx.x	Version
	"Return "	▲	Return
Control	"Pan"	0-255	Control the Channels
	"Pan Fine"		
	"Tilt"		
	"TiltFine"		
	"PT Speed"		
	"SpeciFun"		
	"Colour1"		
	"Colour2"		
	"Colour3"		
	"Cyan"		
	"Magenta"		
	"Yellow"		
	"StatGobo"		
	"Rot Gobo"		
	"GoboRot"		
	"Prism"		
	"PrismRot"		
	"PrismRot"		
	"Frost"		
	"Zoom"		
"ZoomFine"			
"Focus"			
"FocsFine"			

	"Strobe"				
	"Dimmer"				
	"Return "		▲	Return	
Factory	"FacCofig "		★	Password input Enter	
			"Reco"	Recover Factory set	
			"Save"	Save factory set	
	"DefCofig"		★	Password input Enter	
			"Reco"	Recover default set	
	"Redress "	"Pan"	0-255		Motor Redress
		"Tilt"			
		"Focus"			
		"Zoom"			
		"StatGobo"			
		"Rot Gobo"			
		"GoboRot"			
		"Colour1"			
		"Colour2"			
		"Colour3"			
		"Dimmer"			
		"Prism1 "			
		"Prism2 "			
		"Frost"			
	"Return "	▲	Return		
"ChanIDef"			Channel Custom (not open for customers)		
"FacSett"		★	factory setting (not open for customers)		
"Checksum"			Check Calibrate data (need password)		
"Return "		▲	Return		
Show DMX			Chan. 00-Chan. 25	DMX value number	
All Rst			"No"	Cancel	
			"Yes"	All Reset	
PT Rst			"No"	Cancel	
			"Yes"	PT Reset	
FX Rst			"No"	Cancel	
			"Yes"	FX Reset	
"Return"			▲	Exit	

## 12、 DMX Channels

25CH Mode	21CH Mode	DMX Value	Function
1	1	0—255	Pan

2	*	0—255	Pan Fine
3	2	0—255	Tilt
4	*	0—255	Tilt Fine
5	3	0—255	Pan Tilt speed adjust
6	4		Marco
		0—129	No function
		130—139	Lamp on
		140—149	Pan Tilt Reset
		150—159	No function
		160—169	All the small step motor Reset
		170—199	No function
		200—209	whole light Reset
		210—229	No function
		230—239	Lamp off
		240—255	No function
7	5		Color 1
		0	White
		50	Light Pink
		100	Light Orange
		140	Light blue
		191-255	CRI FILTER
8	6		Color 2
		0	White
		50	Deep Red
		100	Deep Green
		140-160	UV Blue
		161-255	Deep Yellow
9	7		Color 3
		0-255	CTO
10	8	0-255	cyan
11	9	0-255	Magenta
12	10	0-255	Yellow
13	11		Static gobo
		0—3	No function
		4—7	Gobo1
		8—12	Gobo2
		13—16	Gobo3
		17—20	Gobo4
		21—24	Gobo5

		25—29	Gobo6
		30—33	Gobo7
		34—37	Gobo8
		38—41	Gobo9
		42—72	Gobo10
		72-113	Run from fast to slow
		114-117	Pause
		118-159	Run from slow to fast
			Gobo shake from slow to fast
		160-165	Gobo1Shake
		166—170	Gobo2Shake
		171—176	Gobo3Shake
		177—181	Gobo4Shake
		182—187	Gobo5Shake
		188—193	Gobo6Shake
		194—198	Gobo7Shake
		199—204	Gobo8Shake
		205—209	Gobo9Shake
		210—255	Gobo10Shake
14	12		Rotation Gobo (position Mode)
		0	No function
		1—4	Biggest White (Uniform effect)
		5—7	Gobo1
		8—10	Gobo2
		11—13	Gobo3
		14—16	Gobo4
		17—19	Gobo5
		20—22	Gobo6
		23—25	Gobo7
		26—28	Gobo8
		29—31	Gobo9
			Rotation Gobo (Gobo rotation Mode)
		32—34	Gobo1
		35—37	Gobo2
		38—40	Gobo3
		41—43	Gobo4
		44—46	Gobo5
		47—49	Gobo6
		50—52	Gobo7



		53—55	Gobo8
		56—59	Gobo9
			Gobo Shake index from slow to fast
		60—67	Gobo1Shake
		68—75	Gobo2Shake
		76—83	Gobo3Shake
		84—91	Gobo4Shake
		92—99	Gobo5Shake
		100—107	Gobo6Shake
		108—115	Gobo7Shake
		116—123	Gobo8Shake
		124—129	Gobo9Shake
			Gobo Shake rotation from slow to fast
		130—137	Gobo1Shake
		138—145	Gobo2Shake
		146—153	Gobo3Shake
		154—161	Gobo4Shake
		162—169	Gobo5Shake
		170—177	Gobo6Shake
		178—185	Gobo7Shake
		186—193	Gobo8Shake
		194—199	Gobo9Shake
		200—227	Rotation, clockwise from fast to slow
		228—229	Pause
		230—255	Rotation Anti-clockwise from slow to fast
15	13		Gobo Rotation
			if Rotation Gobo in (value 32-59 )
		0—255	Index
			If Rotation Gobo in Gobo rotation mode
		0	Pause
		1—127	Rotation Anti-clockwise from fast to slow
		128-129	Pause
		130—255	Rotation clockwise from slow to fast
16	14		Prism(Prism rotation is in position mode)
		0—1	No function
		2—65	Prism1-8 facet
		66—255	Prism2-3 facet
17	15		Prism1 autorotation
		0—255	Autorotation

18	16		Prism2 autorotation
		0—255	Autorotation
19	17		Frost
		0—59	No function
		60—255	Frost changeable
20	18		Zoom
		0—255	Linear Zoom
21	*	0—255	Zoom Fine
22	19	0—255	Focus
23	*	0—255	Focus Fine
24	20		Strobe
		0—31	Strobe Close
		32—63	Strobe Open
		64—95	Strobe from slow to fast
		96—127	Strobe Open
		128—143	From fast to slow, slow close fast open
		144—159	From slow to fast, fast open slow close
		160—191	Strobe Open
		192—223	Random Strobe from slow to fast
		224—255	Strobe Open
25	21		Dimmer
		0-255	Linear Dimmer

## 13、ROUTINE MAINTENANCE

### CLEANING AND MAINTENANCE

**WARNING!**



- 1、 Turn off the power before opening any cover.
- 2、 After the power supply is broken, the bottom is cooled and the lid is opened.
- 3、 Dust or floats can be blown gently with a vacuum cleaner or a pressure blow machine.

## 14、SIMPLE TROUBLESHOOTING

1.The whole device reacts... 1) first check whether the power fuse is normal, 2) check whether the output of switching power supply is normal, and the normal output of switching power supply is 27V.

2.If a one - way function is not normal... First, find the driving plug of the circuit board of this road, and change the two adjacent drive motor plugs to check out the problem of the board or the wiring or the motor.

3.If a one - way function is not normal... First, find the driving plug of the circuit board of this road, and change the two adjacent drive motor plugs to check out the problem of the board or the wiring or the motor.

4.If a few road function work is not normal... In general, a chip controls several drives at the same time, so it is possible that the chip is abnormal.