



art. 1525
T-BRIGHT 500 RGBW/FC



Studio Due

emotion and creativity in light



T bright

The new T- BRIGHT family is a new series of small form factor, compact and lightweight wall washers line, designed to minimize the dimensions of a LED lighting fixture keeping an high level of lumen package in a very compact design.

The T-BRIGHT 500 RGBW/FC is particularly adapt for temporarily events and can also be used easily for permanent installations.

- Standard fixture colour finishing is black. Optional grey and white (art. FX-COLOUR).

TECHNICAL FEATURES

• SOURCE

n. 30 RGBW-FC High Power LEDs
340W total light power
Red 3300lm, Green 4700lm, Blue 900lm, White 6200lm

• OPTIC

25° (45mm lenses)
On request:
- narrow, wide, elliptic 45mm lenses

• TILT

Manual 160°

• CONTROL

Standard interface: RS-485, optocoupled input
Protocol: USITT DMX512

• CONNECTIONS

Signal: XRL 5pin (on request 3pin) IP 64 connector (male-female)
possibility to link up to 32 devices in chain
Available as accessories:
- Wireless DMX receiver
Main Power: POWERCON 3pin IP 64 connector (male-female)
possibility to link up to 6 devices at 230V or 3 devices at 120V in chain.

• SETUP AND CONFIGURATION

Control panel with touch technology and led display with flip function
or by DRS (remote control device)
Dedicated DMX channel for white balance
DMX or Auto mode with Master-Slave function
Intelligent temperature control
Halogen simulation
CYM simulation
Flicker-free function
Smooth dimming function

• RATING PROTECTION

IP 64

• DMX CHANNELS

- 9CH mode
- 6CH mode
- 5CH mode
- 4CH mode

• POWER SUPPLY

Voltage range: 100-240VAC
Frequency range: 47-63Hz
Active Power factor:
PF>0.92/230VAC, PF>0.94/120VAC
Current:
1.65A@230VAC, 3.2A@120V 370W
Fuse T8A (inside fixture)

• PHYSICAL

WxDxH: 406x185x398 mm
Weight: 13 Kg.

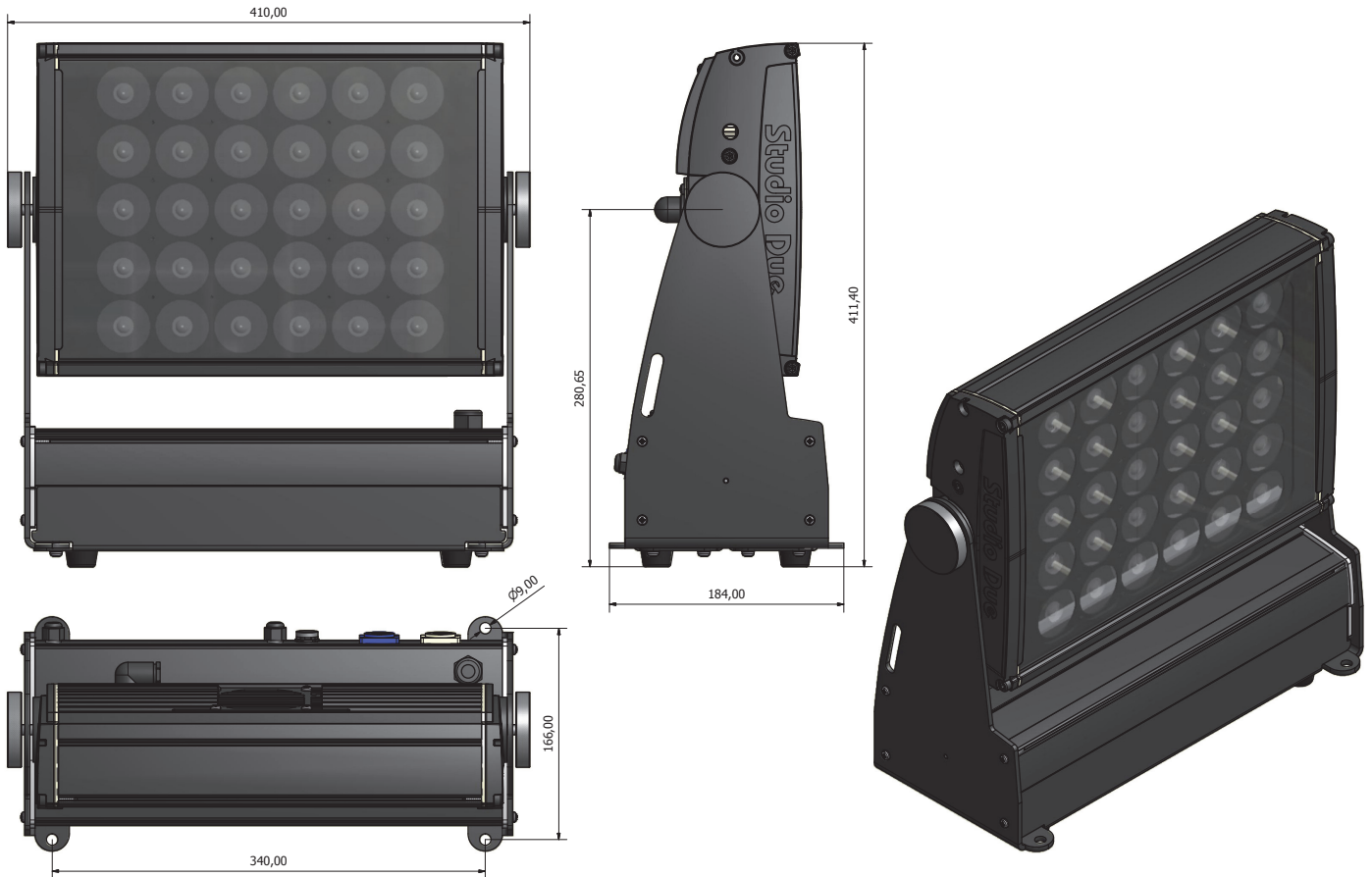


Click on the QR Code
with your smartphone
to go directly to the
fixture website page

Studio Due

emotion and creativity in light

PHYSICAL



© Copyright 2014 Studio Due light srl
Strada Poggino, 100
01100 Viterbo (Italy)
tel. +39.0761.352520 (4 lines)
fax +39.0761.352653
C.F. e P. IVA 05793121004

Specifications are subject to change without notice. Trademarks are the property of Studio Due Light Srl
www.studiodue.com