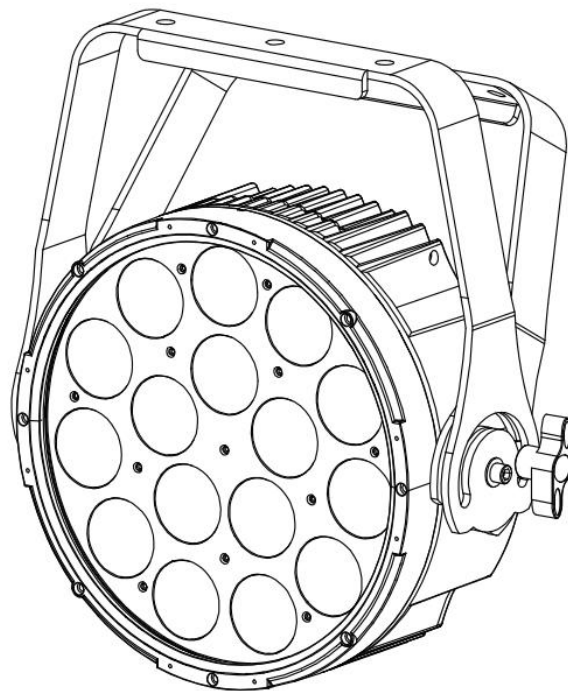


DANOR STAGE

# LP-300

## 18\*12W LED PAR

### WATERPROOF



## USER MANUAL

Please read carefully before using the product

## **GENERAL INTRODUCTION**

Please read and understand the instructions in this manual carefully and thoroughly before attempting to operate this device. These instructions contain important safety and use information.

This LP-300 shall be an IP-65 rated PAR color changer with (18) 12W 4-IN-1 RGBW LEDs. shall operate flicker-free with an average LED life of 100,000 hours. And shall be capable of emitting 3,950 Lux @ 3m. It shall include color and chase macros and have 25° beam and 45° field angles. The LP-300 shall house an electronic strobe and be capable of 0-100% dimming with variable dimming curve modes. The LP-300 shall operate via DMX and RDM and include a 4- button control panel display. Exterior construction shall be of die-cast aluminum and the LP-300 shall contain a dual yoke / floor stand. Max power consumption shall be 220W and a multi-voltage universal auto switching power supply (110-250v) shall be included. It shall measure 365mm x 157mm x 365mm (LxWxH) and weigh 8.1 kg.

Please note that although this fixture is IP rated, the fixture is not suitable for marine/or coastal environment installations. Installing this fixture in a marine and/or coastal environment may cause corrosion and/or excessive wear to the interior and/or exterior components of the fixture. Damages and/or performance issues resulting from installation in a marine and/ or coastal environment will void the manufacturers warranty and will not be subject to any warranty claims and/or repairs.

## **UNPACKING**

Every device has been thoroughly tested and has been shipped in perfect operating condition.

Carefully check the shipping carton for damage that may have occurred during shipping. If the carton is damaged, carefully inspect the device for damage, and be sure all accessories necessary to install and operate the device have arrived intact. In the event damage has been found or parts are missing, please contact our customer support team for further instructions.

## 1. SECURITY WARNING.



DO NOT PLUG FIXTURE INTO A DIMMER PACK! NEVER OPEN THIS FIXTURE WHILE IN USE! UNPLUG POWER BEFORE SERVICING FIXTURE! NEVER TOUCH FIXTURE DURING OPERATION, AS IT MAY BE HOT! KEEP FLAMMABLE MATERIALS AWAY FROM FIXTURE!



NEVER LOOK DIRECTLY INTO THE LIGHT SOURCE! RETINA INJURY RISK - MAY INDUCE BLINDNESS! SENSITIVE PERSONS MAY SUFFER AN EPILEPTIC SHOCK!



MINIMUM DISTANCE TO OBJECTS/SURFACES MUST BE 65.6 FEET (20 METERS) MAXIMUM TEMP OF EXTERNAL 90°C, MINIMUM DISTANCE OF INFLAMMABLE MATERIALS FROM THE SURFACE 1.6 FEET (0.5 METER)



FIXTURE MUST BE PROPERLY GROUNDED.

## 2. CAUTIONS.

- Please keep this brochure as a reference for future consultation. If you sell this product to other users, make sure they get the brochure as well.
- Before using the product, please open it and check carefully to see if the product is damaged by transportation.
- Ensure that the supply voltage is in line with the equipment requirements before operation
- Combustible materials should not be placed next to the equipment when it is running, and there is a fire risk.
- Safe ropes should be used when hang on this equipment. The equipment should not be carried by bare hands, but the bottom should be lifted at the same time.
- In case of serious operational failure, stop using the equipment immediately and do

not attempt to repair it alone. Non-professional maintenance alone can cause damage and functional failure. Please contact the authorized Technical Assistant Center nearby.

- Do not touch the power supply during operation. High voltage may cause electric shock hazard.

- Replacement is necessary when obvious damage occurs to the housing, lens or ultraviolet filter.

- Disconnect the main power supply when replacing the spare parts

Lighting fixtures should be screwed onto the bracket to ensure that they are firmly installed to prevent flutter and slip during operation and to ensure that the structure connecting the lamps can support the lamps.

## **2. TECHNICAL PARAMETERS.**

Input voltage: AC90-240V, 50/60Hz

Consumption power: maximum 180W

LED: 18X12W 4-IN-1 OR 5-IN-1 Multi-chips(RGBW, RGBA OR RGBWA)

Lenses Angle:25 degrees

Operation mode: DMX512 signal, voice control

DMX Channel: 8 Channel Mode

0-100% linear dimming function

Protection Level: IP65

Shell Material: Die Cast Aluminum Shell, Color: Black

Input mode: power input-output, signal input-output

National Standard Hand-in-Hand Wire, 1.5 Squares

Signal Plug: Standard Waterproof Signal Plug

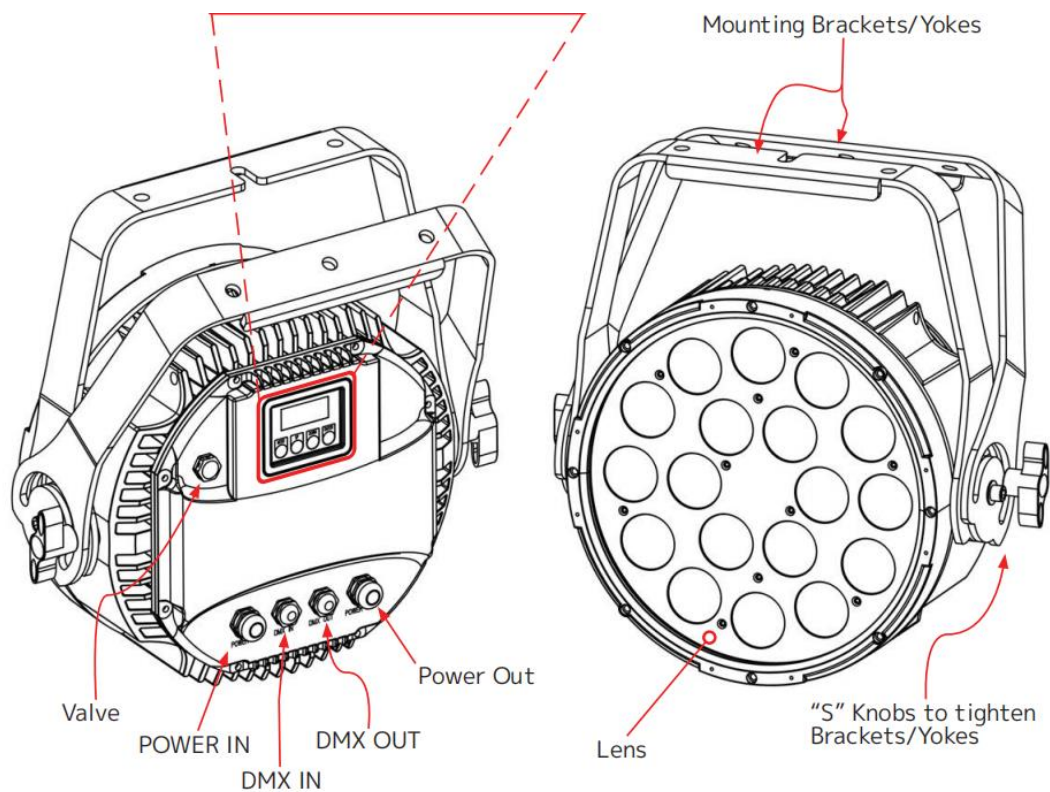
Weight: 8.1kg, Product Dimension: 365\*157\*365mm

Packaging size: 530\*530\*350mm(MASTER CARTON 4 IN 1),

Single Packing:250\*250\*320mm

Installation: 110V, maximum series 4, 220V, maximum series 8, indoor and outdoor use as far as possible grounding.

### 3. OVERVIEW



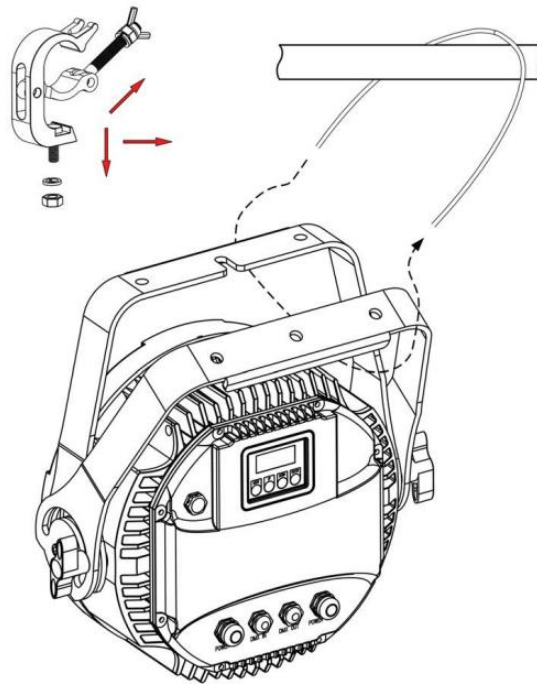
#### 3.1 INSTALLATION GUIDELINES.

##### MOUNTING THE FIXTURE ON A TRUSS USING CLAMP

When mounting the fixture to a truss, be sure to secure an appropriately rated professional grade rigging clamp (not included) to the closed dual yokes using an M10 screw fitted through the center hole of the closed dual yokes. The dual yokes of the fixture provides a rigging point for a **SAFETY CABLE** (not included). Be sure to only use one of the designated rigging points for the safety cable and never secure a safety cable to a carrying handle.

#### 3.2. SAFETY CABLE .

ALWAYS ATTACH AN APPROPRIATELY RATED SAFETY CABLE  
WHENEVER INSTALLING THIS FIXTURE IN A SUSPENDED NVIRONMENT  
TO ENSURE THE FIXTURE WILL NOT FALL IF THE CLAMP FAILS.



#### 4. DISPLAY CONTROL.



**MENU: FUNCTION    UP: +    DOWN: -    ENTER: CONFIRM**

## 5. SYSTEM MENU.



DMX standard 8CH mode( press UP/DOWN key to select the DMX values 1-512, Press Enter key to save)



DMX simple 4CH mode.



Slave mode.



Gradually change mode(press UP/DOWN to select speed at 1-50, press ENTER to save)



Jump change mode( press UP/DOWN to select speed at 1-50, press ENTER to save)



Pulse change mode( press UP/DOWN to select speed at 1-50, press ENTER to save)



color change mode ( Press ENTER TO select the colors)



Red, press UP/DOWN to increase/decrease the number of DMX values within 0-255..



Green, press UP/DOWN to increase/decrease the number of DMX values within 0-255.



Blue, press UP/DOWN to increase/decrease the number of DMX values within 0-255..



White, press UP/DOWN to increase/decrease the number of DMX values within 0-255..



Strobe Mode, ( press UP/DOWN to select speed at 1-50, press ENTER to save)



: Sound control mode.



: Master mode (Slavers set as d001)

## 6. DMX CHANNELS.

<b>4 Channels mode(D001)</b>		
<b>CH</b>	<b>Value</b>	<b>Function description</b>
CH1	0-255	RED(0-100%)
CH2	0-255	GREEN(0-100%)
CH3	0-255	BLUE(0-100%)
CH4	0-255	AMBER (0-100%)

<b>8 Channels mode(A001)</b>		
<b>CH</b>	<b>Value</b>	<b>Function description</b>
CH1	0-255	RED(0-100%)
CH2	0-255	GREEN(0-100%)
CH3	0-255	BLUE(0-100%)
CH4	0-255	AMBER (0-100%)
CH5	0-255	COLOR MACRO
CH6	0-255	COLOR MACRO SPEED
CH7	0-255	TOTAL DIMMER
CH8	0-255	STROBE (&Strobe effects)



## 7.TROUBLE SHOOTING.

Problems	Trouble shooting
* Lamps do not work	*Check the total power supply insurance and wiring connection * *Measure the total power supply voltage
* Display Frequency Not Displayed	** Check the connection between Display Frequency and motherboard * *Replace a new display panel
* No response when connected to console	* Check whether the lamp is set in DMX mode * Check whether the lamp is set on the slave * Check lamp address code * Check the signal line and whether it
* In DMX512 mode, signal error	*Check whether the signal line is connected properly * Check whether the end of the signal line is terminated to reduce signal interference errors. If not, connect a 120-ohm 1/4W r resistance between pin 2 (DMX-) and pin 3 (DMX+) at the signal output of the last lamp.

### 7.1 MAINTENANCE GUIDELINES.

#### **DISCONNECT POWER BEFORE PERFORMING ANY MAINTENANCE!**

Frequent cleaning is recommended to insure proper function, optimized light output, and an extended life. The frequency of cleaning depends on the environment in which the fixture operates: damp, smoky or particularly dirty environments can cause greater accumulation of dirt on the fixture' s optics. Clean the external lens surface at least every 20 days with a soft cloth to avoid dirt/debris accumulation.

NEVER use alcohol, solvents, or ammonia-based cleaners.

Please refer to the following points during routine inspections:

- A detailed electric check by an approved electrical engineer every three months, to make sure the circuit contacts are in good condition and prevent overheating.

- Be sure all screws and fasteners are securely tightened at all times.

Lose screws may fall out during normal operation resulting in damage or injury as larger parts could fall.

- Check for any deformations on the housing, color lenses, rigging hardware and rigging points (ceiling, suspension, trussing).

- Electric power supply cables must not show any damage, material fatigue or sediments.

- NEVER remove the ground prong from the power cable