

User manual

eco Stage

**AT-PL715
PAR LED 7X15W**



Please read carefully before use

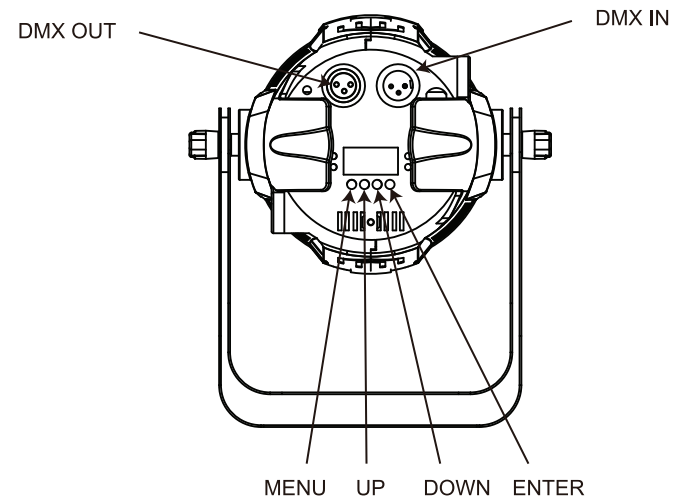
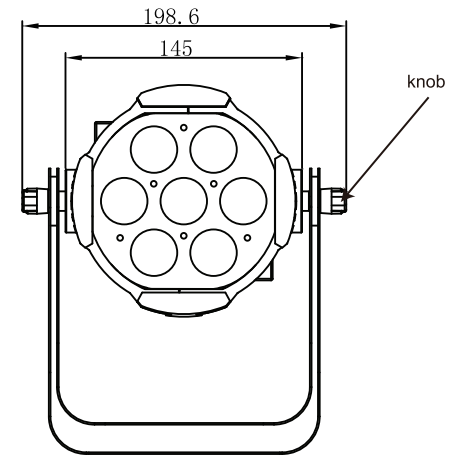
Unpacking: Thank you for purchasing the AH032D. Every AH032D has been tested and shipped in perfect operating condition. Carefully check the shipping carton for damage that may have occurred during shipping. If the carton appears to be damaged, carefully inspect your fixture for any damage and be sure all equipment necessary to operate the unit has arrived intact. In the event damage has been found or parts are missing, please contact our toll free customer support number for further instructions. Please do not return this unit to your dealer without contacting customer support first.

Introduction: The AH032D has three DMX mode. The fixture can operate in five different operating modes; DMX control, sound-active, Auto, Color or in a Master/Slave configuration. The AH032D comes with several built in programs that can be used, while operating as a dimmer unit or when used in multiples linked in a master/slave configuration. For best results use fog or special effects smoke to enhance the beams projections.

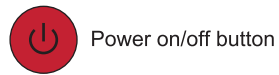
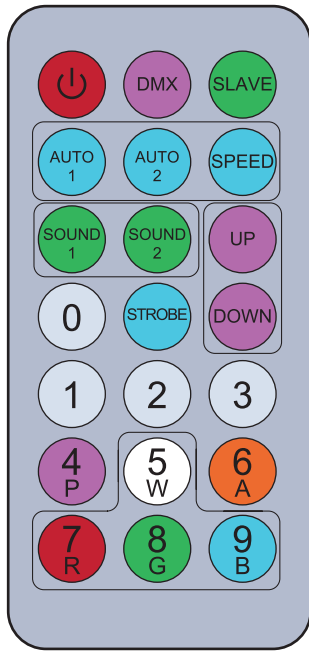
Warning! To prevent or reduce the risk of electrical shock or fire, do not expose this unit to rain or moisture.

Warning! This may cause severe eye damage. Avoid looking directly into the light source at all times!

Product Overview



IR Controller



Power on/off button



DMX button, to control DMX address when press this button. It is channel mode when double click.



Master-slave mode button.



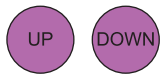
Automatic mode button



Speed adjustive button



Sound mode button



Up and down button, you can choose the program that you need or numerical.



Strobe button



You can use these number button to adjust numerical in any program mode.



Color choosing button.

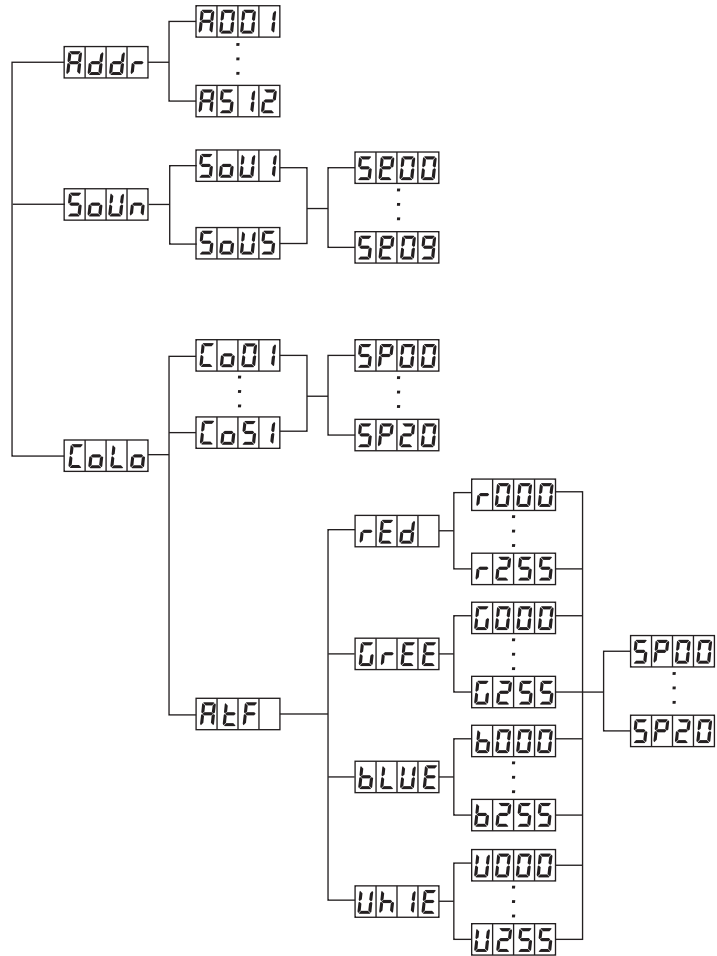
Features

- RGBW Color Mixing
- Color Strobe Effect
- Color Mix Effect
- LED Chases (Adjustable Speeds)
- Electronic Dimming 0-100%
- DMX-512 protocol
- Five DMX Modes
- 5 Operating Modes - Sound Active, Maser slave Mode, Auto mode, Color mode or DMX Control
- DMX-512 Protocol Compatible (1, 4 & 7 DMX Channels)
- Digital Display for Address and Function Setting

Model

- Voltage: AC 100V~240V, 50Hz~60Hz
- LEDs: 7 × 15W-RGBW-LEDs
- Lens: 20°/40°
- Power consumption: 105 W
- Weight: 2,1 kg
- Dimensions: 145mm × 190mm
- Colors: RGBW Color Mixing
- DMX Channels: 1, 4 & 7 DMX Channel Modes

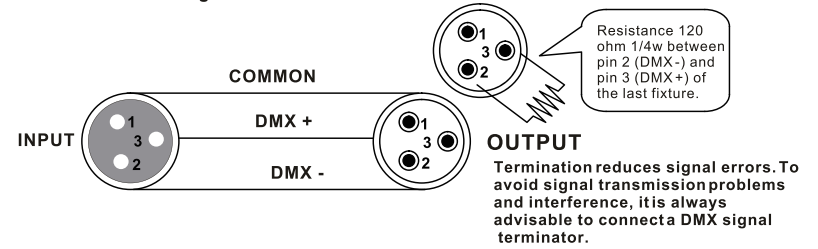
On Board System



CABLECONNECTORS

Cabling must have a male XLR connector on one end and a female XLR connector on the other end.

DMX connector configuration



CAUTION Do not allow contact between the common and the fixture's chassis ground. Grounding the common can cause a ground loop, and your fixture may perform erratically. Test cables with an ohm meter to verify correct polarity and to make sure the pins are not grounded or shorted to the shield or each other.

BUTTON	FUNCTION
MENU	Exits from the current menu or function
UP	Navigates upwards through the menu list and increases the numeric value when in a function
DOWN	Navigates downwards through the menu list and increases the numeric value when in a function
ENTER	Enables the currently displayed menu or sets the currently selected value in to the selected function

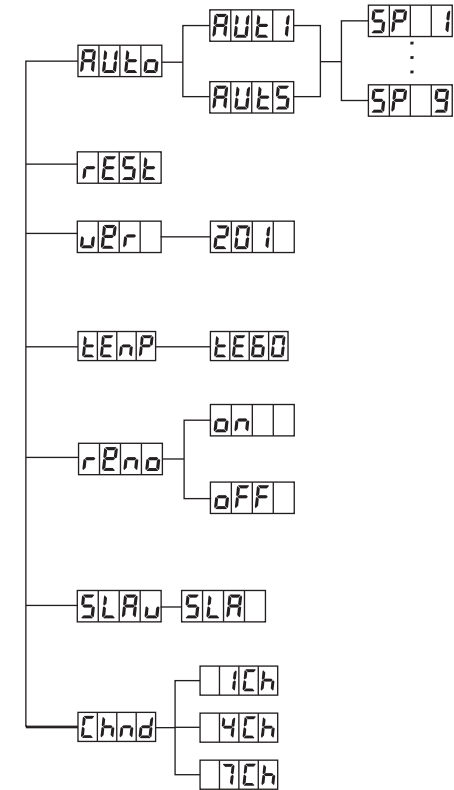
DMX control mode

DMX Mode 2:4CH

Channel	Value	Function
ch1	0–255	Red (0%–100%)
ch2	0–255	Green (0%–100%)
ch3	0–255	Blue (0%–100%)
ch4	0–255	White (0%–100%)

DMX Mode 3.:7CH

Channel	Value	Function
CH 1	0–255	Master dimmer (0%–100%)
CH 2	0–255	Red (0%–100%)
CH 3	0–255	Green (0%–100%)
CH 4	0–255	Blue (0%–100%)
CH 5	0–255	White (0%–100%)
CH 6	0–7	Default
	8–255	strobe (0Hz - 20Hz)
	0–255	Speed when channel 7 is enable
CH 7	0-15	Dimmer
	16-31	Color mixing plus change 1
	32-47	Color mixing plus change 2
	48-63	Color mixing plus change 3
	64-79	Color mixing plus change 4
	80-95	Color mixing plus change 5
	96-111	Color sync strobe
	112-127	Color fade
	128-143	Color sync
	144-159	Colors mixing & change then Shuter closing
	160-175	down-dimming plus color change
	176-191	Up-dimming plus color change
	192-207	Color Up-dimming then down-dimming
	208-223	Color mix change
	224-239	Run sound mode 1
240-255	Run sound mode 2	



Addr - DMX Address Setting via control board

1. Tap the "MENU" button and "UP" button or "DOWN" button until "Addr" is displayed, press ENTER.
2. "Axxx" will now be displayed, "x" represents the displayed address. Press the "UP" or "DOWN" buttons to find your desired address.

Soun - This menu will let you select your desired sound mode

1. Tap the "MENU" button until "Soun" is displayed, press ENTER.
2. "Soux" will now be displayed, you can confirm two modes by "UP" or "DOWN" for sound mode. Then press "ENTER" to adjust the sensitivity of the sound mode from 0 to 9.

Colo - This menu will let you select your desired sound mode

1. Tap the MENU button and UP button or DOWN button until "CoLo" is displayed, press ENTER.
2. Either "CoL X", "X" representing a number between 1-51 or "AtF" will be displayed. Press the "UP" or "DOWN" buttons to select either a static color or "AtF" mode. If you select a static color press ENTER and it will be confirmed. Then press "ENTER" to adjust the speed of the strobe mode from 00 to 20.
3. "AtF" Make your own color by mixing and adjusting the red, blue and green manually. Select "AtF", press ENTER, "Rxxx" "Gxxx" "Bxxx" or "Wxxx" will be displayed. Then you can adjust it between 1-255, press ENTER ,you can select other color by UP or DOWN to adjust it. And press "ENTER" to adjust the speed of the strobe mode from 00 to 20.

Auto -This menu will let you select your desired auto mode

1. Tap the MENU button and "UP" button or "DOWN" button until "Auto" is displayed, press ENTER.
2. "Autx" will now be displayed, You can confirm two modes by "UP" or "DOWN" for auto mode.

Chnd - This menu will let you select the channel

1. Press the "MENU" button and "UP" button or "DOWN" button until "Chnd" is showed, then press ENTER.
2. Press "UP" or "DOWN" button to select your desired channel.

temp - This menu will display the working temperature.

1. Press the "MENU" button and "UP" button or "DOWN" button until "temp" is showed, then press ENTER.
2. " teXX " now is showed. "XX" represents the working temperature.

reno - This menu will let you select whether you use remote control.

1. Tap the "MENU" button until "reno" is displayed, press ENTER.
2. "on" or "off" will now be displayed, you can select to close or open the infrared.

uer-This will display the software version

1. Press the "UP" or "DOWN" button until "uer" is displayed, press ENTER.
2. The software version will be displayed.

SLav- This menu will let you select your desired Master/slave mode

1. Tap the "MENU" button until "SLav" is displayed, press ENTER.
2. "Sla " will now be displayed, Slave mode is confirmed. It will be slaved by auto mode sound mode and chase mode.

RESET-In this menu, you can reset all the value of the system.

1. Press "ENTER" button and then UP or DOWN button until "RESET" is showed.
2. Press the ENTER button to reset all the value of the system.

DMX control mode

DMX Mode 1:1CH

Channel	Value	Description
ch1	1 -- 4	None
	5 -- 9	red
	10 -- 14	green
	15 -- 19	blue
	20 -- 24	white
	25 -- 29	Macro Color 1
	30 -- 34	Macro Color 2
	35 -- 39	Macro Color 3
	40 -- 44	Macro Color 4
	45 -- 49	Macro Color 5
	50 -- 54	Macro Color 6
	55 -- 59	Macro Color 7
	60 -- 64	Macro Color 8
	65 -- 69	Macro Color 9
	70 -- 74	Macro Color 10
	75 -- 79	Macro Color 11
	80-- 84	Macro Color 12
	85 -- 89	Macro Color 13
	90 -- 94	Macro Color 14
	95 -- 99	Macro Color 15
	100 -- 104	Macro Color 16
	105 -- 109	Macro Color 17
	110 -- 114	Macro Color 18
	115 -- 119	Macro Color 19
	120 -- 124	Macro Color 20
	125 -- 129	Macro Color 21
	130 -- 134	Macro Color 22
	135 -- 139	Macro Color 23
	140 -- 144	Macro Color 24
	145 -- 149	Macro Color 25
	150 -- 154	Macro Color 26
	155 -- 159	Macro Color 27
	160 -- 164	Macro Color 28
	165 -- 169	Macro Color 29
	170 -- 174	Macro Color 30
	175 -- 179	Macro Color 31
	180 -- 184	Macro Color 32
	185 -- 189	Macro Color 33
	190 -- 194	Macro Color 34
	195 -- 199	Macro Color 35
	200 -- 204	Macro Color 36
	205 -- 209	Macro Color 37
	210 -- 214	Macro Color 38
	215 -- 219	Macro Color 39
	220 -- 224	Macro Color 40
	225 -- 229	Macro Color 41
230 -- 234	Macro Color 42	
235 -- 239	Macro Color 43	
240 -- 244	Macro Color 44	
245 -- 249	Macro Color 45	
250 -- 255	Macro Color 46	